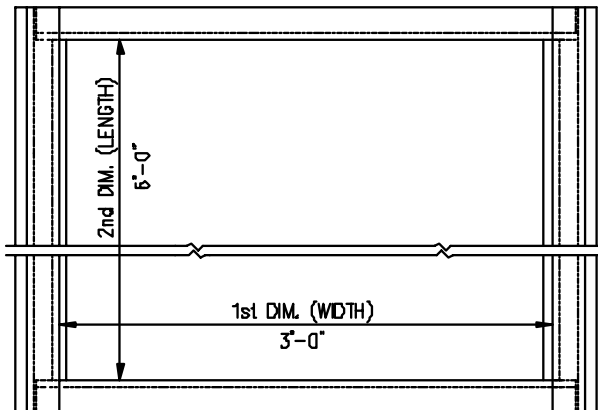
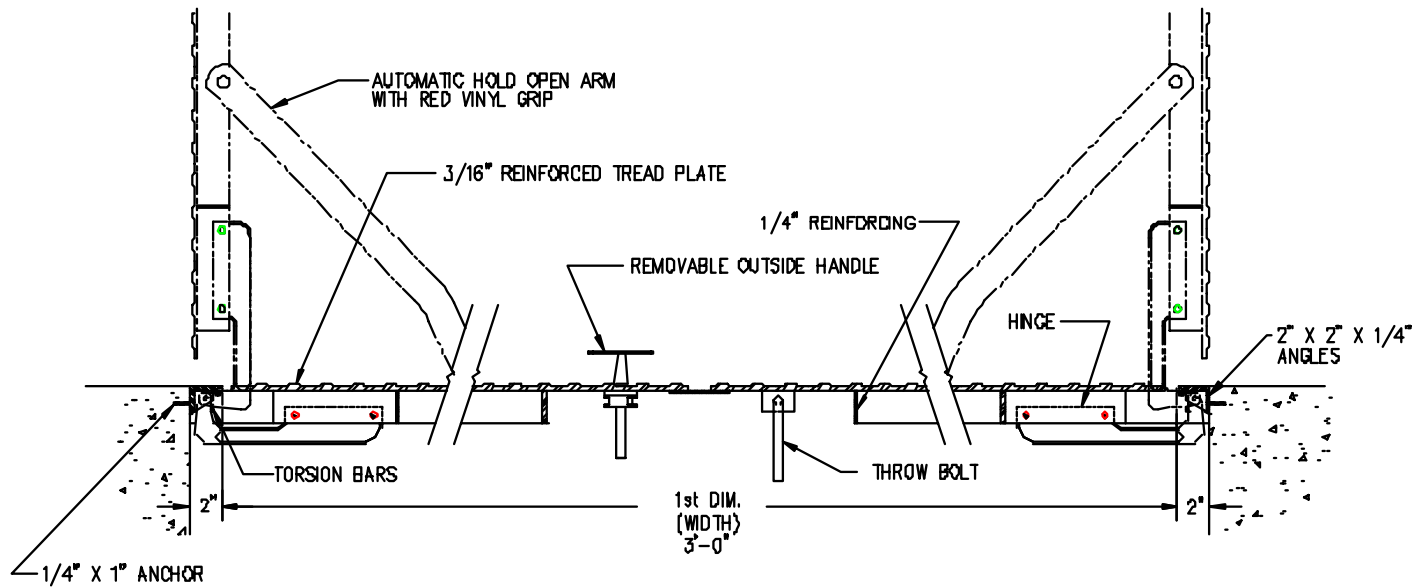


FLUSH STEEL FLOOR DOOR FOR INTERIOR USE

| MATERIAL SCHEDULE | | | |
|-------------------|-----------|-------|-------|
| QUANTITY | SIZE | COVER | FRAME |
| T.B.D. | 36" x 36" | STEEL | STEEL |

MILCOR COMMERCIAL PRODUCTS GROUP
484 N. Thomas Drive
Barronsville, L. 20109
PHONE: (800) 821-8842
Fax: 1-830-788-8299

| | |
|----------------------|---------|
| DEALER | |
| PROJECT | |
| LOCATION | |
| ARCH. | |
| PRODUCT MANAGER: | |
| DATE: | DRAWN |
| REV | JOB NO. |
| Dwg. No.: FA_1-4.dwg | SHEET |



VERIFICATION AND APPROVAL OF GENERAL ARRANGEMENT AND OVERALL DIMENSIONS OF THIS DOCUMENT ARE REQUIRED BEFORE THE ORDER IS ENTERED FOR MANUFACTURING.

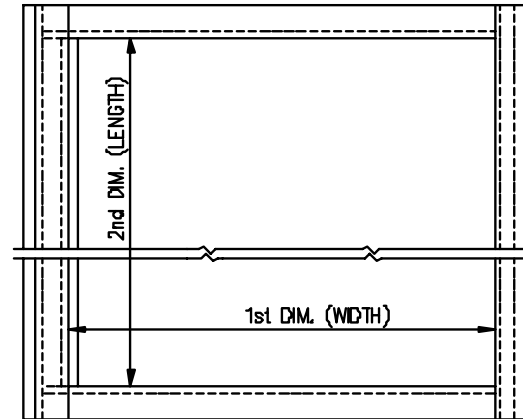
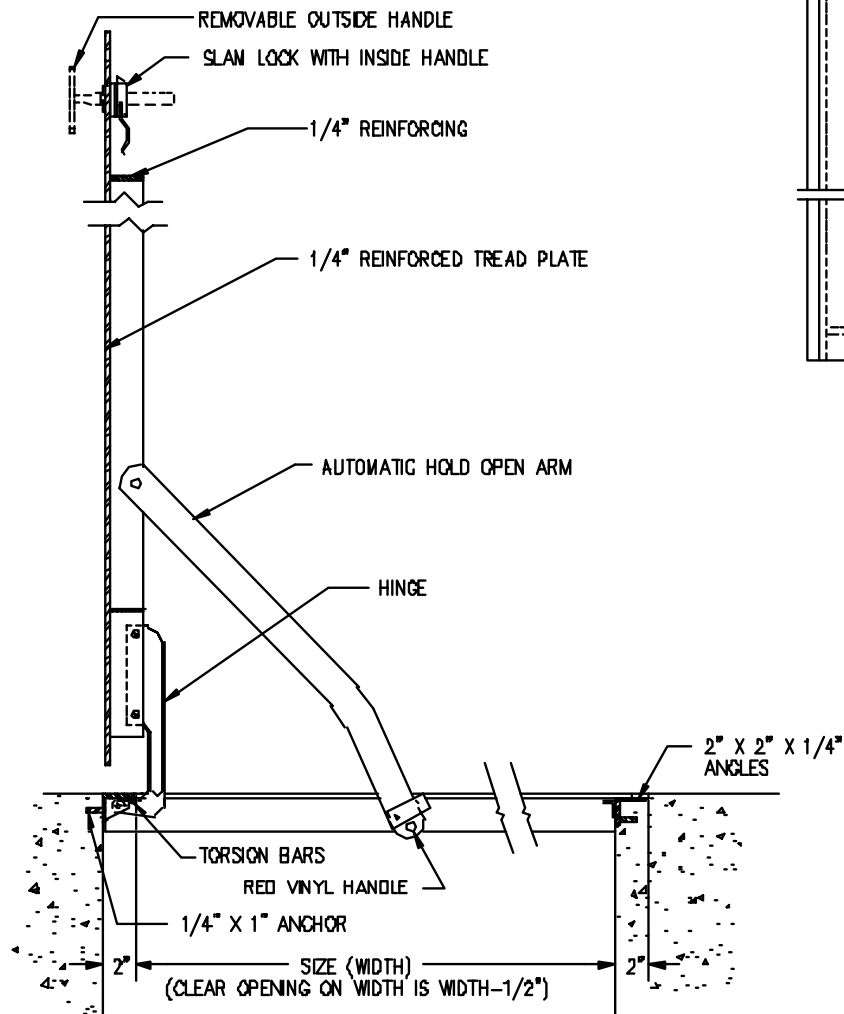
APPROVAL SIGNATURE _____
 TITLE HELD _____
 DATE OF APPROVAL _____

DOUBLE LEAF, FLUSH, STEEL FLOOR DOOR

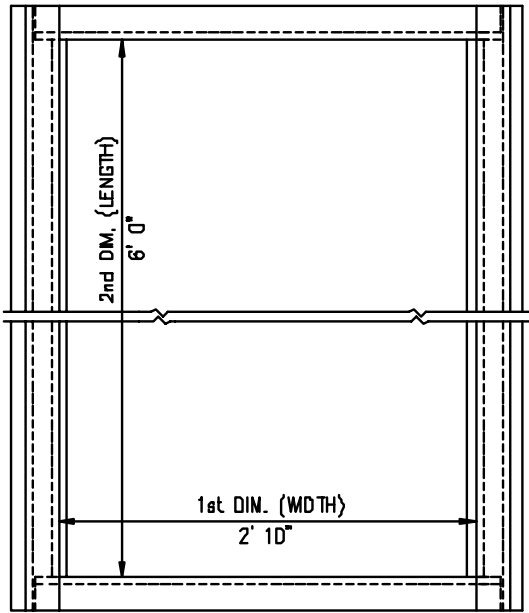
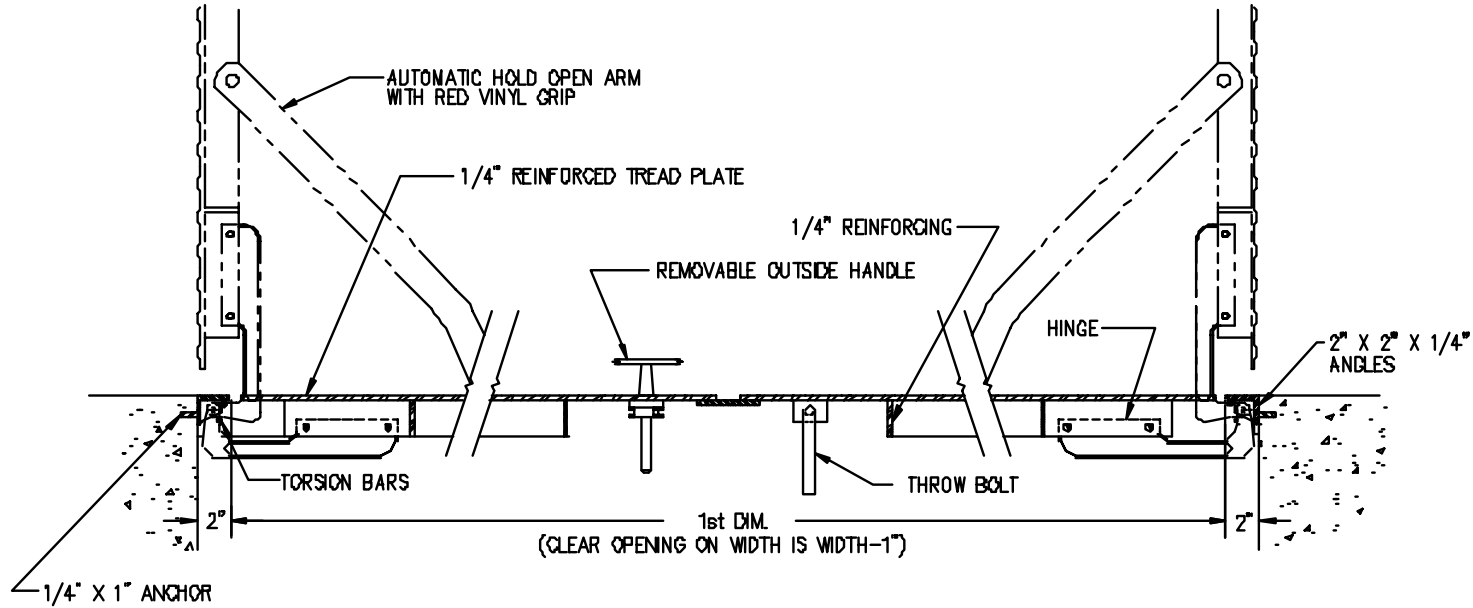
| MATERIAL SCHEDULE | | | |
|-------------------|---------|-------|--------------|
| QUANTITY | SIZE | COVER | FRAME |
| | 3' x 6' | | PRIMED STEEL |

MilcoR COMMERCIAL PRODUCTS GROUP
 484 Thomas Drive
 Bensenville, IL 60106
 phone: (800) 824-8642
 fax: 1-830-788-5284

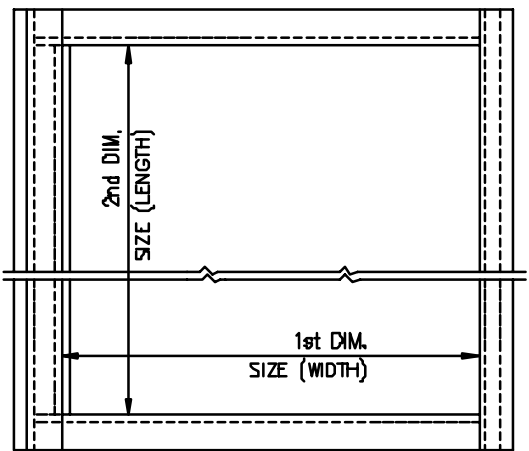
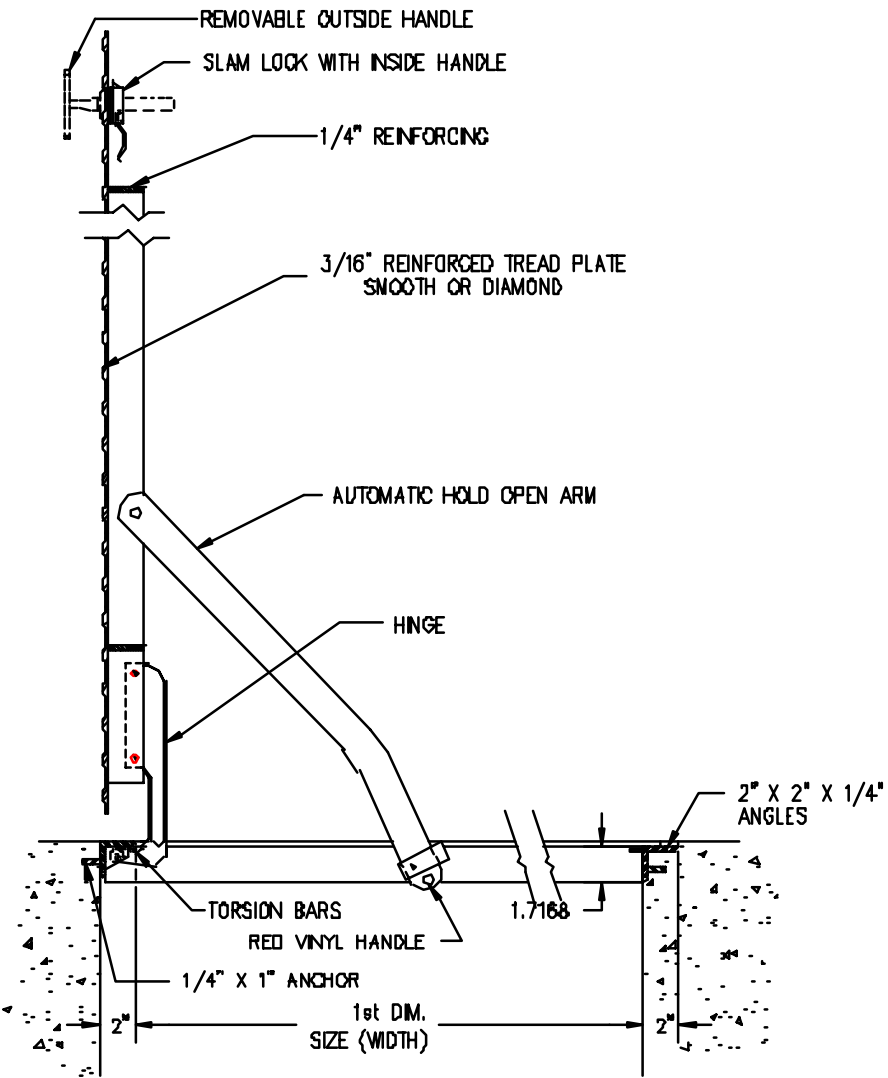
| | |
|---------------------------|---------|
| DEALER | |
| PROJECT | |
| LOCATION | |
| SALES CONTACT: BOB ARRDYO | |
| PHONE: 414-646-8400 | |
| DATE: FEB. 20, 2006 | DRAWN |
| REV | JOB NO. |
| FA_5-11 | SHEET |



| | | | |
|---|------|---------|-------|
| FLUSH ALUM. FLOOR DOOR FOR INTERIOR USE | | | |
| MATERIAL SCHEDULE | | | |
| QUANTITY | SIZE | COVER | FRAME |
| | | ALUM. | STEEL |
| COMMERCIAL PRODUCTS GROUP MilcoR 484 Thomas Drive Bensenville, IL 60105 800 824-8842 Fax: 815 786-1258 | | | |
| DEALER | | | |
| PROJECT | | | |
| LOCATION | | | |
| ARCH. | | | |
| CONTD | | | |
| DATE | | DRAWN | |
| REV | | JOB NO. | |
| FC 1-5 | | SHEET | |

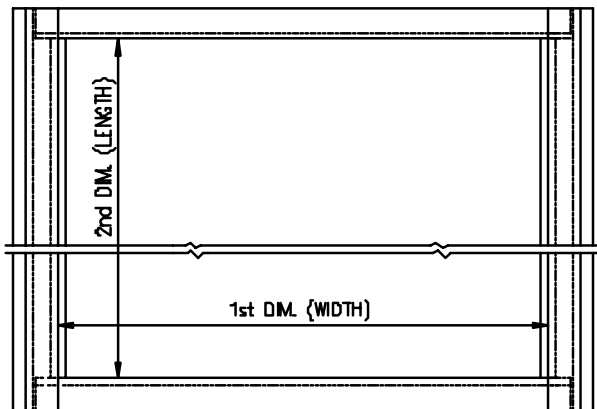
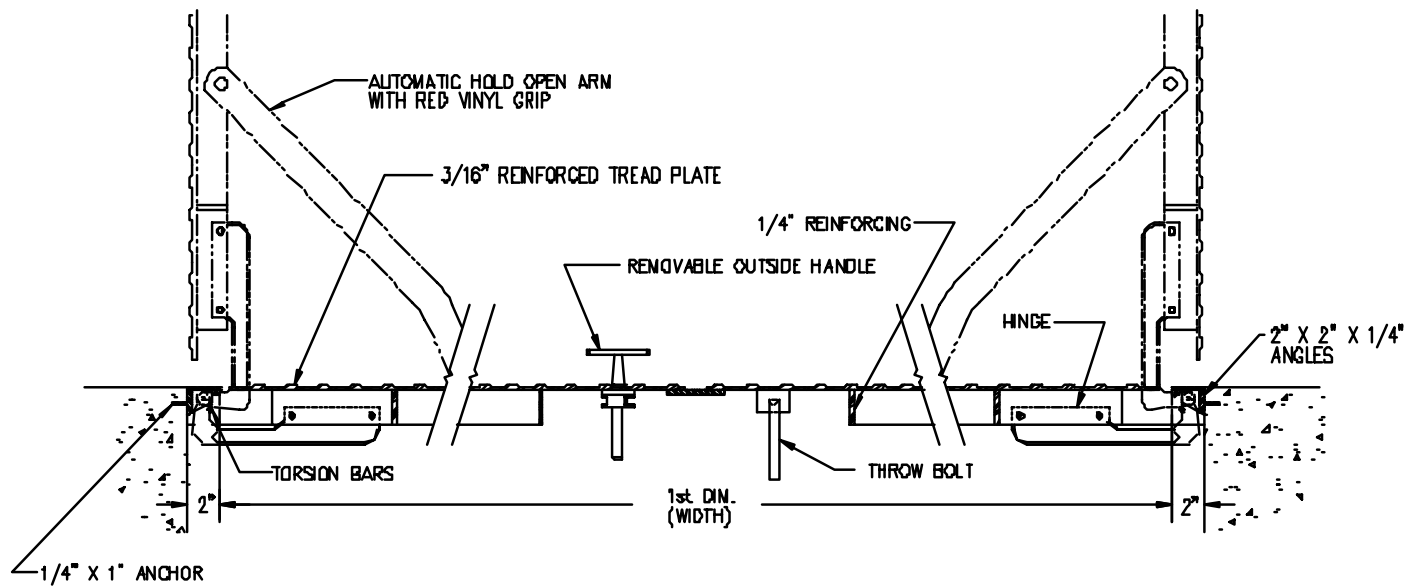


| | | | |
|--|------|------------|-------------------|
| DOUBLE LEAF ALUMINUM FLUSH FLOOR DOOR | | | |
| MATERIAL SCHEDULE | | | |
| QUANTITY | SIZE | COVER | FRAME |
| | | 1/4" ALUM. | 1/4" STEEL ANGLES |
| COMMERCIAL PRODUCTS GROUP MILCOR 484 Thomas Drive Bensenville, IL 60106 800 624-8642 Fax: 630 708-5258 | | | |
| DEALER | | | |
| PROJECT | | | |
| LOCATION | | | |
| ARCH. | | | |
| CONT'D | | | |
| DATE | | DRAWN | |
| REV | | JOB NO. | |
| FC-9 | | SHEET | |



NOTE:
 1.) FLAME SPRAYED UNIT
 2.) SINGLE LEAF COVER

| FLUSH STEEL FLOOR DOOR FOR INTERIOR USE | | | |
|---|------|---------|-------|
| MATERIAL SCHEDULE | | | |
| QUANTITY | SIZE | COVER | FRAME |
| COMMERCIAL PRODUCTS GROUP MILCOR 484 Thomas Drive Bensenville, IL 60108 800 624-8847 Fax: 630 766-6260 | | | |
| DEALER | | | |
| PROJECT | | | |
| LOCATION | | | |
| ARCH. | | | |
| CONT'D | | | |
| DATE | | DRAWN | |
| REV | | JOB NO. | |
| FA-1-4 | | SHEET | |



- NOTE:
- 1.) FLAME SPRAYED UNIT
 - 2.) COVER SIZE: (2 PANELS)
24-11/32 X 24-9/32
 - 3.) FRAME SIZE:
O. A. 52" X 52"
 - 4.) ALL HARDWARE, OMITTED.

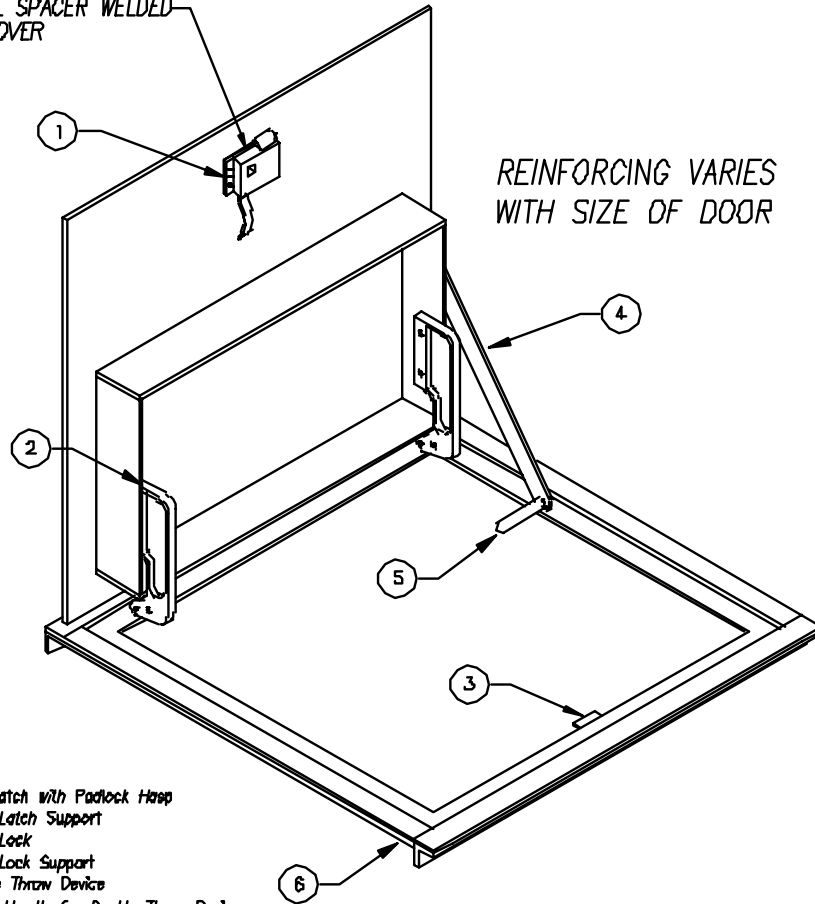
| DOUBLE LEAF, FLUSH, STEEL FLOOR DOOR | | | |
|---|------|---------|-------|
| MATERIAL SCHEDULE | | | |
| QUANTITY | SIZE | COVER | FRAME |
| | | | |
| COMMERCIAL PRODUCTS GROUP MILCOR 484 Thomas Drive Bensenville, IL 60108 800 621-8042 Fax: 630 766-6250 | | | |
| DEALER | | | |
| PROJECT | | | |
| LOCATION | | | |
| ARCH. | | | |
| GDNT'D | | | |
| DATE | | DRAWN | |
| REV | | JOB NO. | |
| FN_9 | | SHEET | |

MILCOR FLOOR DOOR

MILCOR COMMERCIAL PRODUCTS GROUP
184 Thomas Drive
Hansenville, IL 60108
800 624-8642 fax: 630 766-6250

STEEL FLOOR DOOR

STEEL SPACER WELDED
TO COVER



- 1. Snap Latch with Padlock Hasp
- 1a. Snap Latch Support
- 1b. Slam Lock
- 1c. Slam Lock Support
- 1d. Double Throw Device
- 1e. Inside Handle for Double Throw Device
- 1f. Outside Removable T-handle
- 1g. Throw Bolt Assembly
- 2. Steel Hinge Arm
- 3. Snap Latch Catch
- 4. Hold Open Arm
- 5. Handle for Hold Open Arm
- 5a. Red Plastic Grip for Hold Open Arm
- 5b. Inside Padlock Hasp

MILCOR FLOOR DOOR

MILCOR COMMERCIAL PRODUCTS GROUP
484 Thomas Drive
Bensenville, IL 60106
800 624-6642 Fax 630 766-5950

STEEL DOOR FOR TILE OR TERRAZZO

