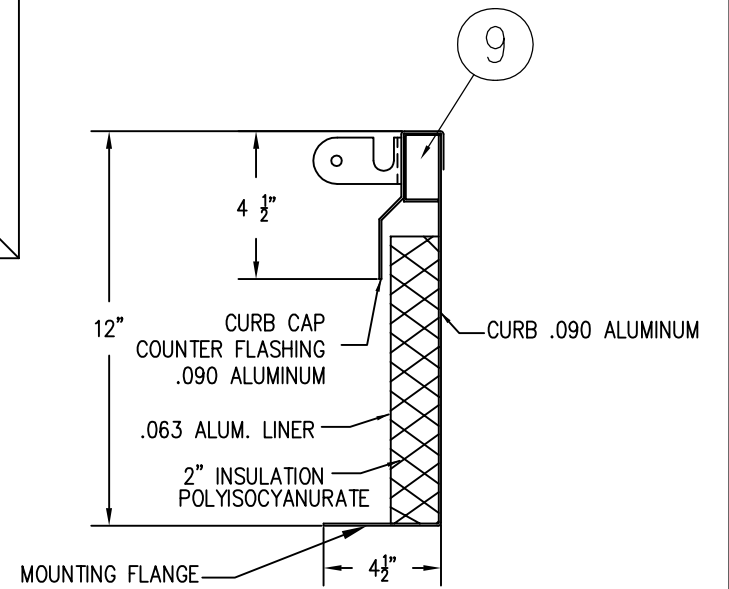


MATERIAL SCHEDULE			
COVER	CURB	COUNTER FLASHING	LINERS
		X	22 GA. GALV. PRIMED STEEL
X	X	X	14 GA. GALV. PRIMED STEEL
			.063 GA. ALUMINUM
			.090 GA. ALUMINUM
			48 OZ. COPPER



SECTIONAL VIEW OF
RD-ROOF HATCH CURB

MATERIAL SCHEDULE			
PART NO.	SIZE	COVER	CURB
3501-501-9EE	3'0" X 2'6"	14ga GALV	14ga GALV
COMMERCIAL PRODUCTS GROUP 815 Kimberly Drive Carol Stream, Illinois. 60188 Phone: (800) 624-8642 Fax: (866) 466-9335			
M-1 W/2" POLYISOCYANURATE INSL & CURB LINER			
DEALER:			
PROJECT:			
LOCATION:			
ARCH.			
CONT'D			
DATE: 09/14/12		DRAWN: CJLP	
REV		JOB NO.	
SHEET 1 OF 1			