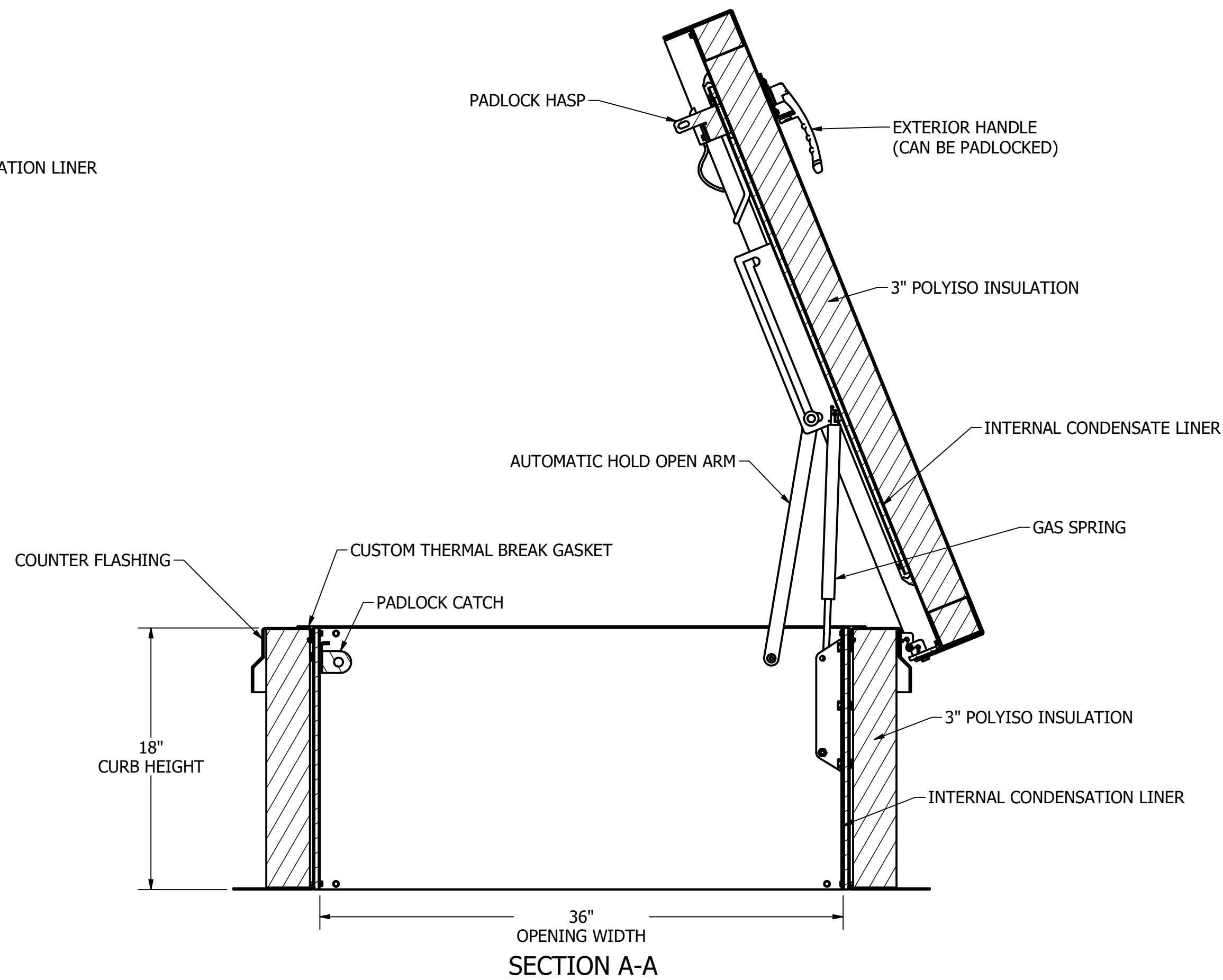
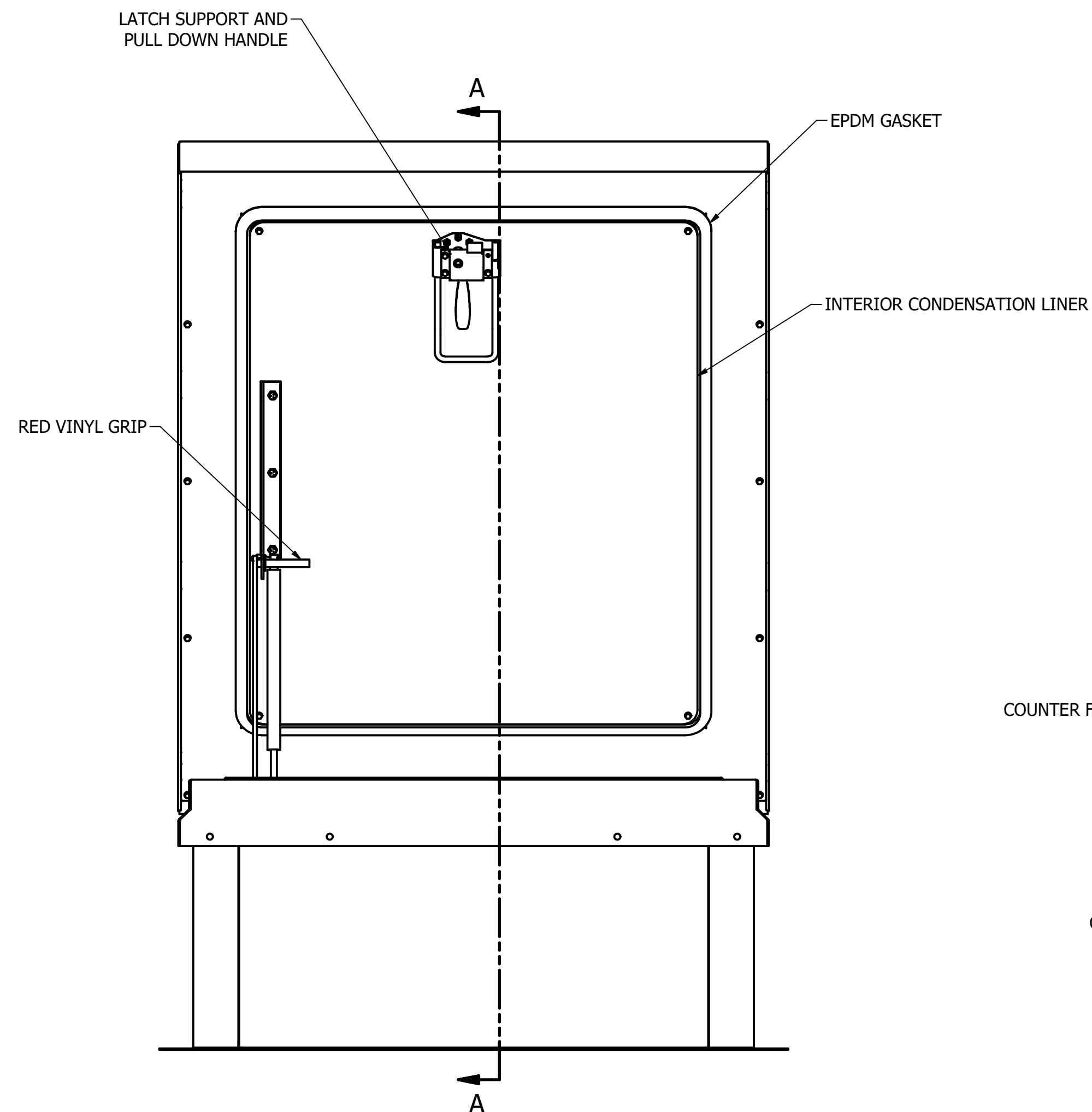
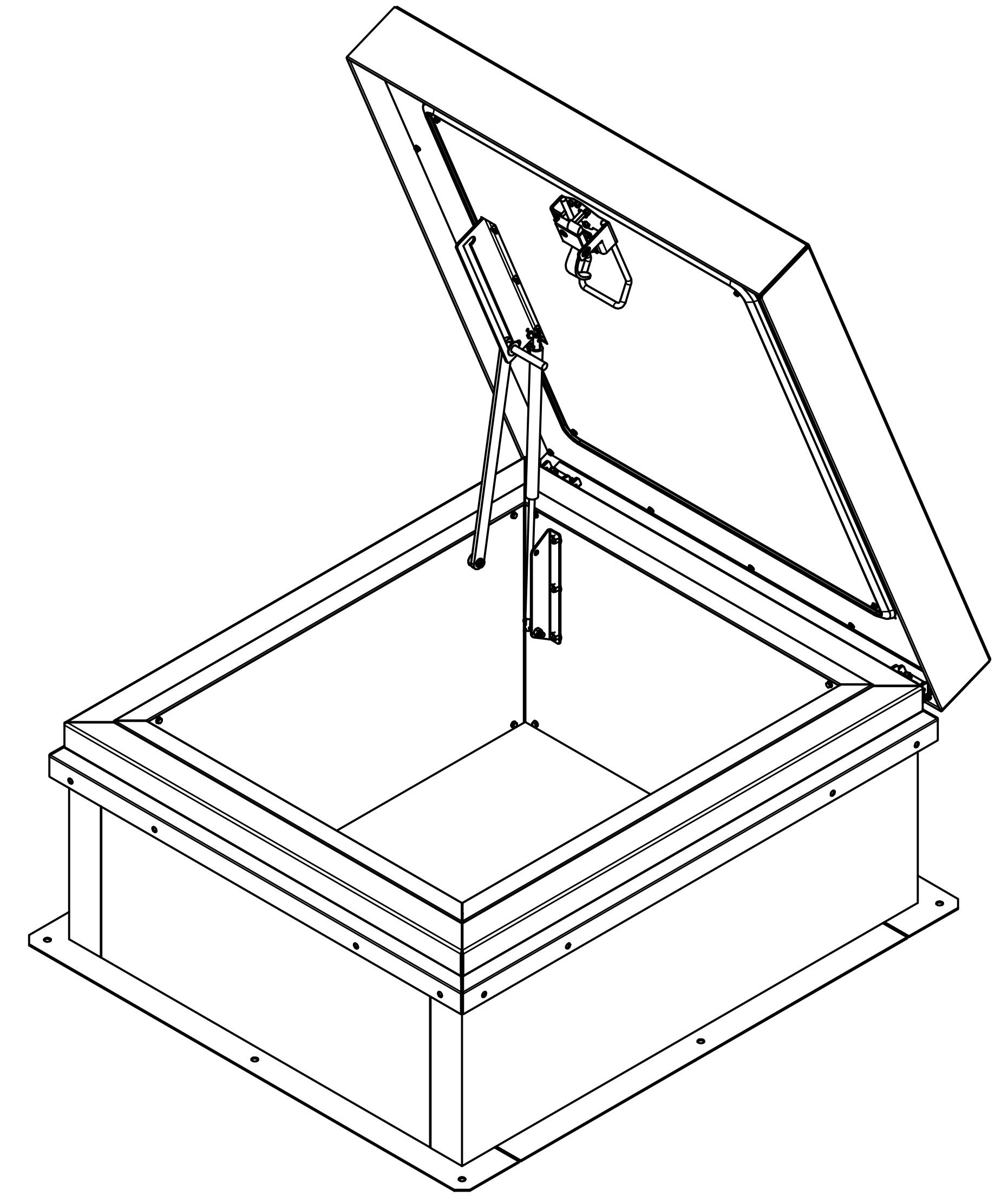


- NOTES:
- SIZE: 3'-0" X 2'-6"
  - 1. CURB MATERIALS
    - a. 0.090 ALUMINUM CURB
  - 2. CURB CAP MATERIALS
    - b. 0.090 ALUMINUM CURB CAP
  - 3. CURB INSULATION THICKNESS AND MATERIALS
    - c. 3" RIGID POLYISOCYANURATE CURB INSULATION
  - 4. COVER MATERIALS
    - d. 0.090 ALUMINUM COVER
  - 5. COVER LINER MATERIALS
    - e. 0.063 ALUMINUM COVER LINER
  - 6. COVER INSULATION THICKNESS AND MATERIALS
    - f. 3" POLYISOCYANURATE COVER INSULATION
  - 7. COVER RATED FOR 70PSF LIVE LOAD
  - 8. COVER AND CURB ARE MILL FINISH
  - 9. ZINC PLATED HARDWARE
  - 10. R-24 THERMAL RATING
  - 11. THERMAL BREAKS FOR INTERIOR THERMAL RESISTANCE



ORDER WILL NOT BE RELEASED FOR FABRICATION UNTIL SIGNED COPY IS RECEIVED.

VERIFICATION AND APPROVAL OF GENERAL ARRANGEMENT AND OVERALL DIMENSIONS FOR THIS DOCUMENT ARE REQUIRED BEFORE THE ORDER IS ENTERED FOR MANUFACTURING.

APPROVAL SIGNATURE \_\_\_\_\_

TITLE HELD \_\_\_\_\_

DATE OF APPROVAL \_\_\_\_\_

DRAWN CDEWILDT	1/6/2023	DURAVENT GROUP	
CHECKED	<b>MILCOR</b> by duravent	Fax: 855-549-2674 www.duraventgroup.com 28 W.Adams, Suite 1810 Detroit, MI 48226 Ph: 800-624-8642	
QA	TOLERANCE UNLESS SPECIFIED	TITLE <b>THERMAL PRO ROOF HATCH - 36X30 18IN CURB</b>	
MFG	.XXX ± 0.005"	3501-241-18	
APPROVED	.XX ± 0.01"	SIZE D	DWG NO 3501-241-18 SUBMITTAL
	FRACT. ± 1/16"	SCALE	REV -
	ANGLES ± 1'	SHEET 1 OF 1	