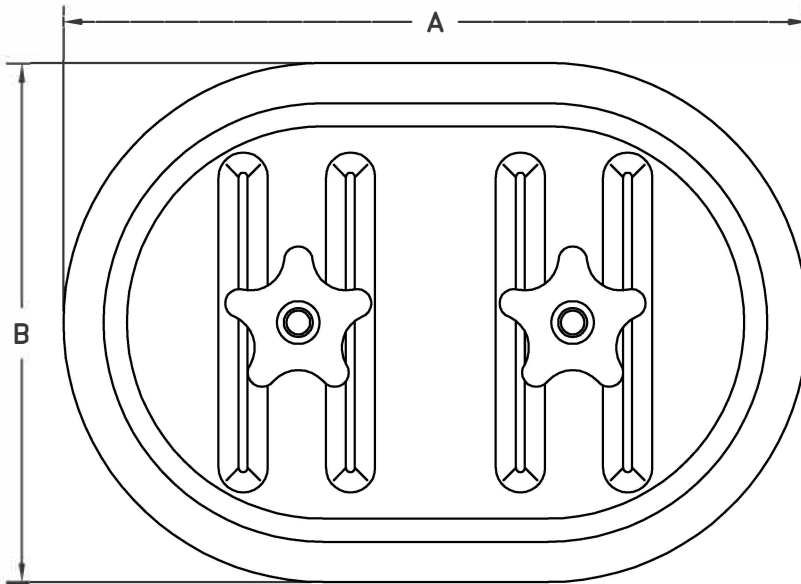


ACCESS DOOR

Sandwich Style Access Door

For Round Double Wall Ductwork

DSA DW

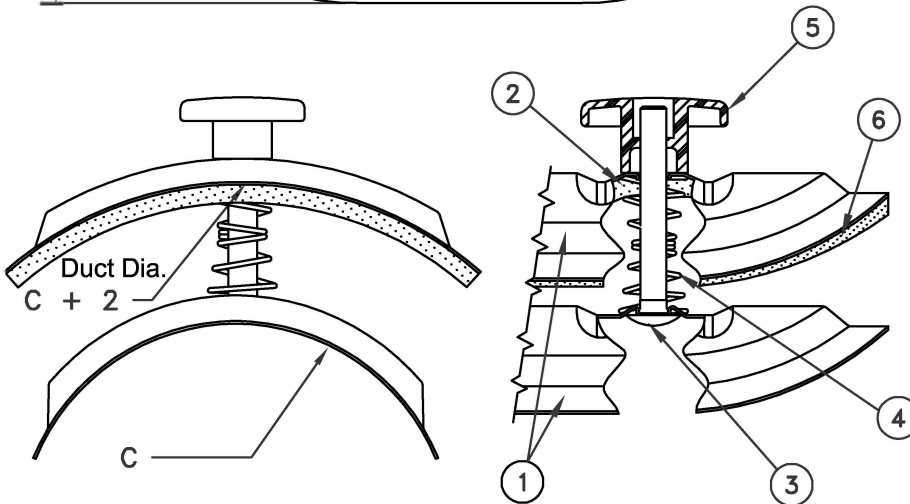


SPECIFICATIONS:

1. Formed 20 gauge metal plates
2. Polyfoam insulation
3. Steel bolt
4. Steel compression springs
5. Polypropylene knobs with metal inserts
6. Closed cell neoprene gasket

NOTES:

1. 10x6 and 16x12 are available in the following materials:
 - Galvanized
 - Stainless Steel
 - Aluminum
2. 8x4 is available in Galvanized
3. Contact factory for availability of other materials.
2. Inner plate is 2" smaller in diameter than outer plate.
4. Self adhesive template included for accurate cut-out.
5. Bolt length is increased for easy installation.
6. Tested to 20" S.P. with minimal leakage.
7. Reference chart for sizes.
8. Maximum 1" duct width.
9. Order door for each duct Dia.



| DOOR SIZES AVAILABLE | | | | | |
|----------------------|--------|--------|--------|---------|--------|
| 8 X 4 | | 10 X 6 | | 16 X 12 | |
| A | B | A | B | A | B |
| 8.53 | VARIES | 10.40 | VARIES | 16.38 | VARIES |
| C | | C | | C | |
| 6 - 28 | | 5 - 30 | | 12 - 60 | |

JOB NAME: _____
 LOCATION: _____
 ARCHITECT: _____
 ENGINEER: _____
 CONTRACTOR: _____

SUBMITTED BY: _____

