

STANDARD SIZES & PART #'s					
DOOR SIZE (W X H)	No. OF LATCHES	PAINTED STEEL & NON-LOCKABLE	PAINTED STEEL & LOCKABLE	STAINLESS STEEL & NON-LOCKABLE LATCH	STAINLESS STEEL & LOCKABLE LATCH
12" X 12"	1	3209012	3209112	3209412	3209452
14" X 14"	1	3209014	3209114	3209414	3209454
18" X 18"	1	3209018	3209118	3209418	3209458
24" X 24"	2	3209024	3209124	3209424	3209464
24" X 36"	2	3209034	3209134		
30" X 30"	2	3209030	3209130		
36" X 36"	2	3209036	3209136		
30" X 48"	2	3209038	3209138		

STANDARD DOOR FEATURES AND NOTES

- 16 GA. GALVANIZED OR STAINLESS STEEL FRAME
- 18 GA. GALVANIZED OR STAINLESS STEEL INSULATED DOOR PANEL
- WHITE POWDER COATED GALVANIZED STEEL
- 2" POLYISOCYANURATE INSULATION
- COMPRESSION LATCH
- ROUGH REQ. MASONRY WALL OPENING = WIDTH + 1/2" X HEIGHT + 1/2"
- ROUGH REQ. STUD WALL OPENING = WIDTH + 3/8" X HEIGHT + 3/8"
- TWO COMPRESSION LATCHES USED WHEN HEIGHT >= 24"
- R VALUE = 12
- TESTED IN ACCORDANCE TO ASTM E331-00

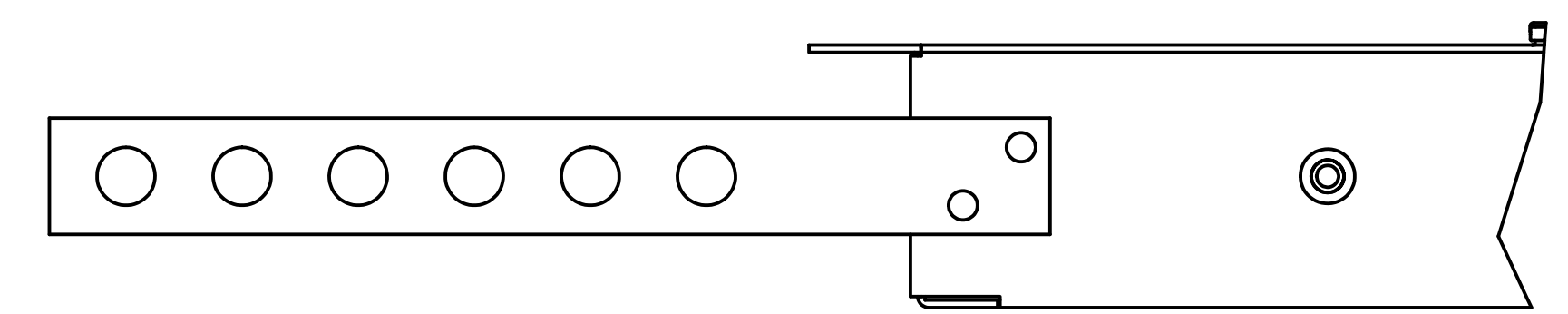
SPECIAL OPTION LIMITATIONS

- WIDTH LIMIT:
- 8" <= WIDTH <= 36"
- HEIGHT LIMIT:
- a. IF WIDTH <= 30"
 - 8" <= HEIGHT <= 48"
 - b. IF WIDTH > 30" & <= 36"
 - 8" <= HEIGHT <= 36"

SPECIAL OPTIONS

- SIZE: W= H=
- MATERIAL:
- FINISH:
- LATCH/LOCK:
- MASONRY ANCHOR:
- NOTES:

\$25 SPECIAL SET UP FEE UPON ORDER



MASONRY ANCHOR DETAIL
 4X WHEN W X H < 36" X 36"
 8X WHEN W X H >= 36" X 36"
 (NOT STANDARD)

ORDER WILL NOT BE RELEASED FOR FABRICATION UNTIL SIGNED COPY IS RECEIVED

VERIFICATION AND APPROVAL OF GENERAL ARRANGEMENT AND OVERALL DIMENSIONS OF THIS DOCUMENT ARE REQUIRED BEFORE THE ORDER IS ENTERED FOR MANUFACTURING

APPROVAL SIGNATURE _____

TITLE _____

DATE _____

DRAWN CD	2/8/2023	DURAVENT GROUP	
CHECKED	MILCOR	Fax: 855-549-2674 www.duraventgroup.com	
QA	TOLERANCE UNLESS SPECIFIED	28 W. Adams, Suite 1810 Detroit, MI 48226 Ph: 800-624-8642	
MFG	.XXX ± 0.005"	TITLE	
APPROVED	.XX ± 0.01"	EXTERIOR ACCESS DOOR	
	FRACT. ± 1/16"	SIZE	DWG NO
	ANGLES ± 1'	D	SUBMITTAL
		SCALE	REV --
			SHEET 1 OF 1