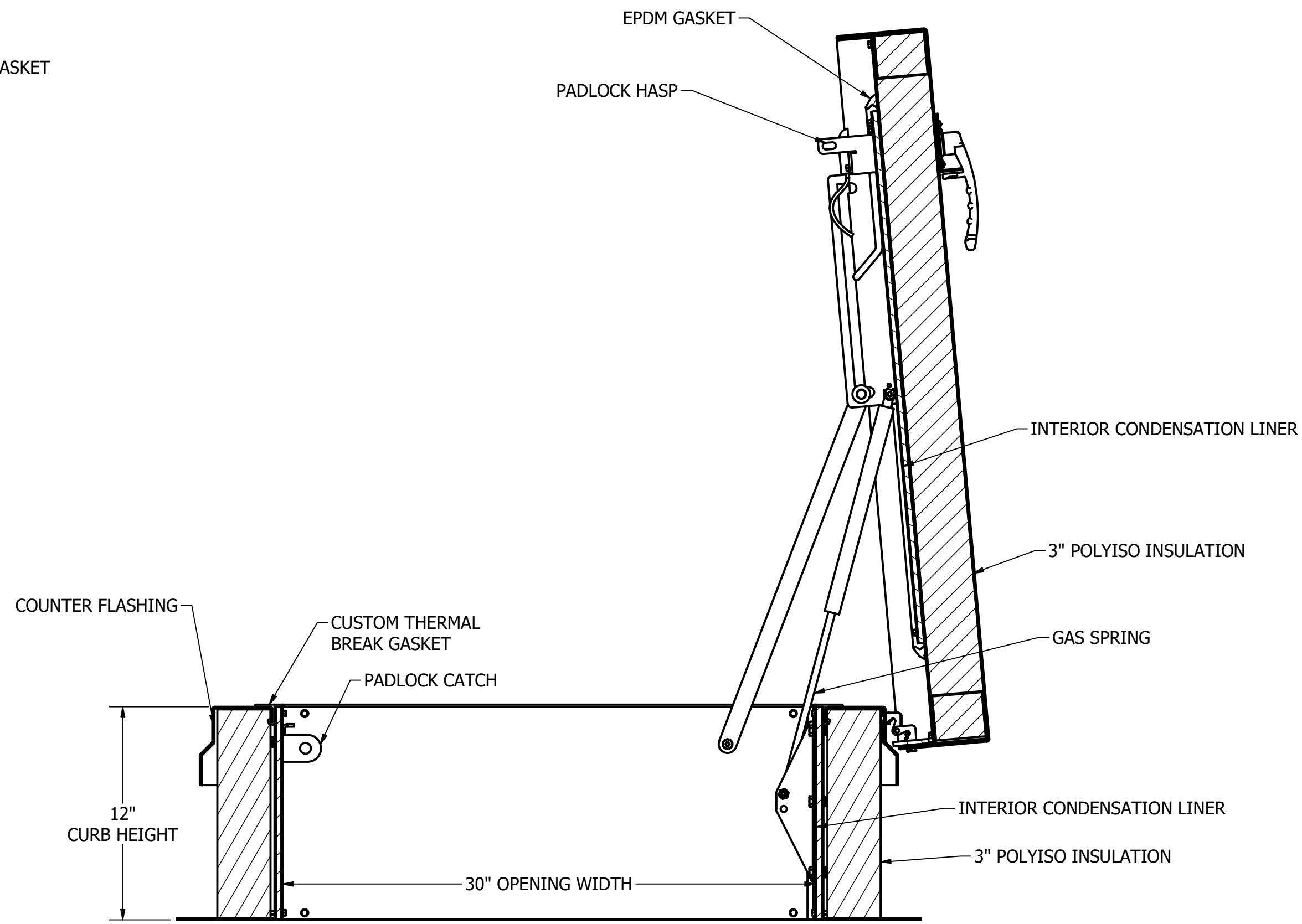
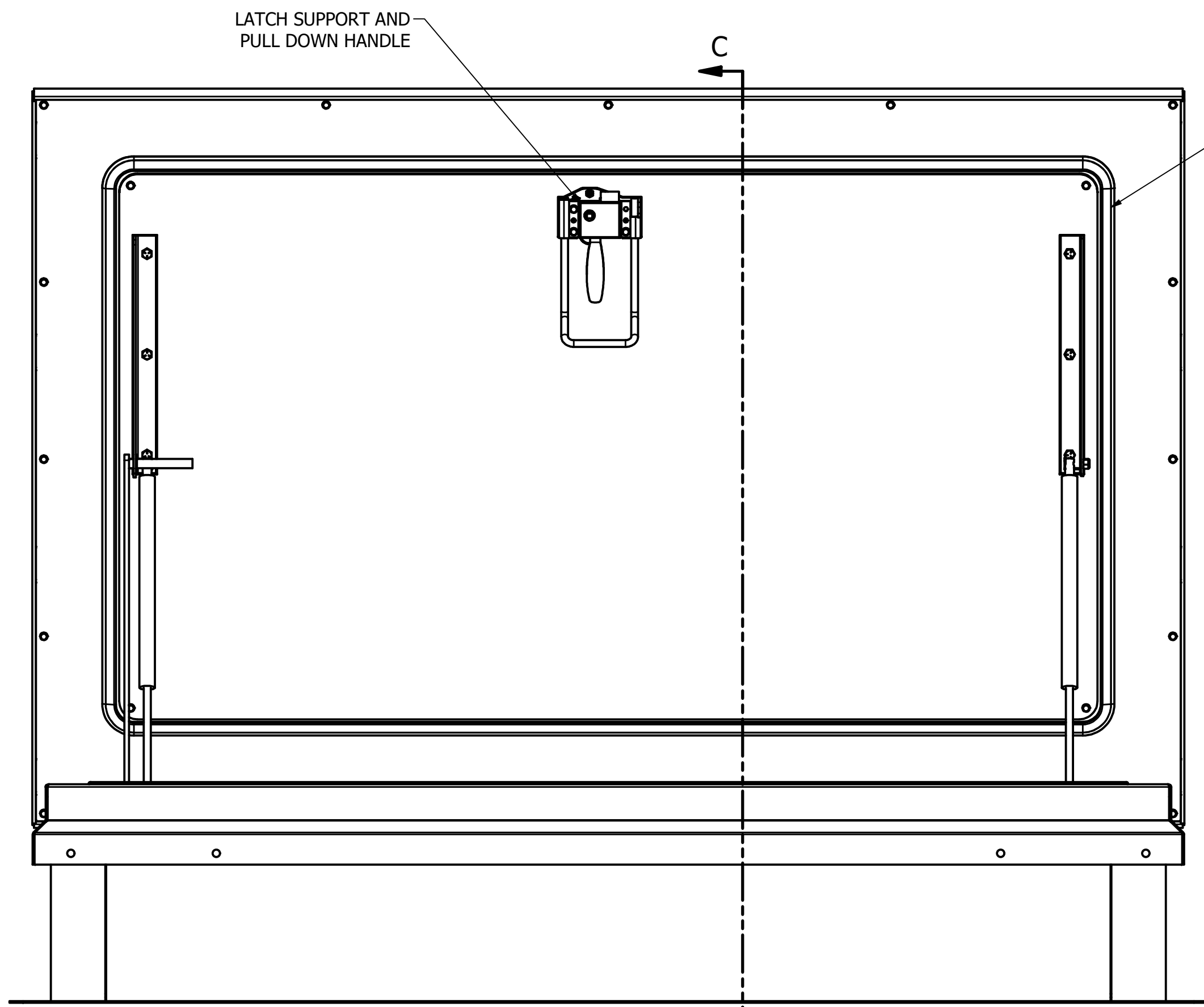
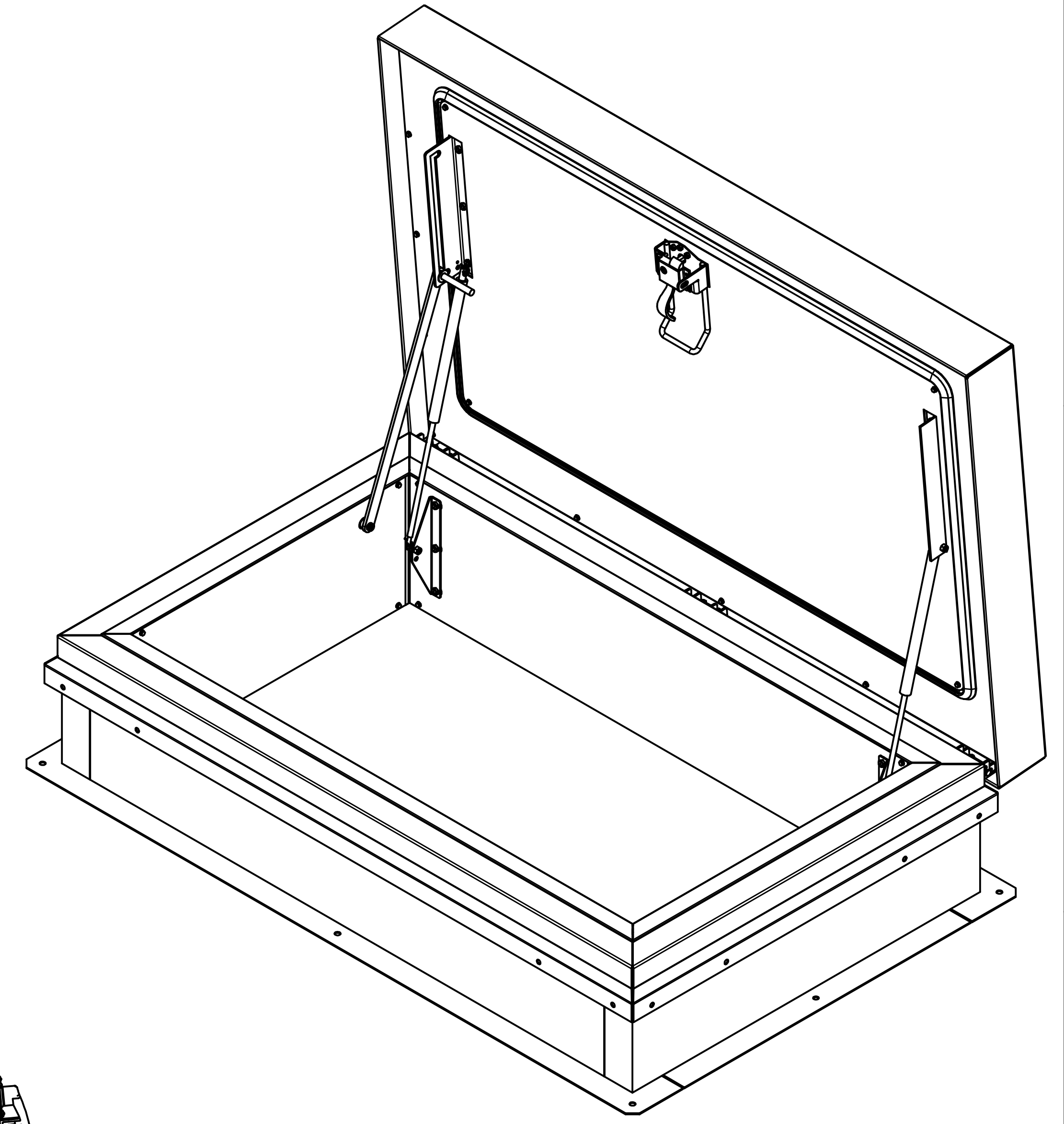
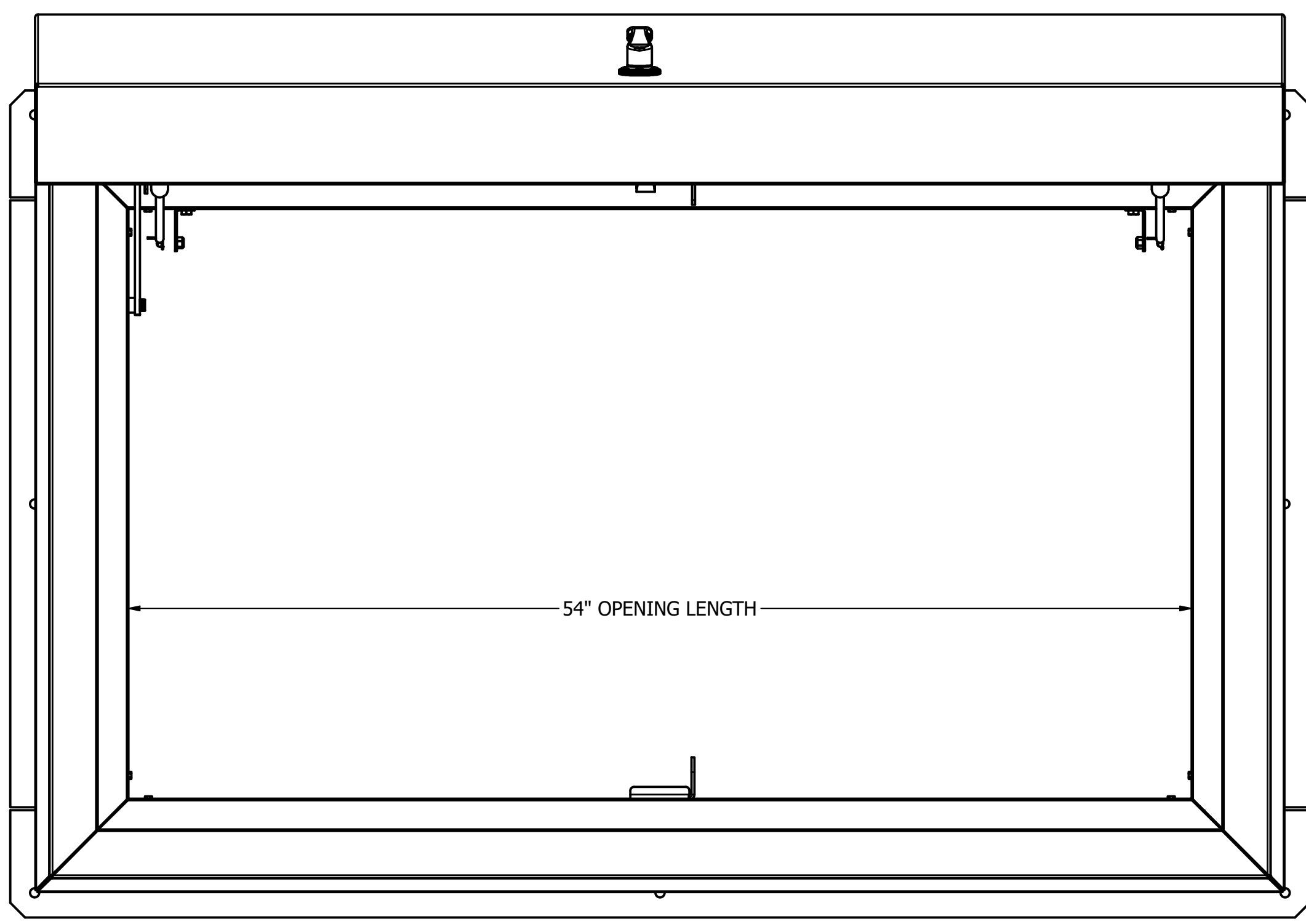


- NOTES:
 SIZE: 2'6" X 4'6"
 1. 70 psf COVER LIVE LOAD RATING
 2. MILL FINISH ALUMINUM
 3. ZINC PLATED HARDWARE
 4. GAS SPRING COVER ASSIST
 5. R-24 THERMAL RATING
 6. THERMAL BREAKS FOR INTERIOR THERMAL RESISTANCE



SECTION C-C
 SCALE 1/6

ORDER WILL NOT BE RELEASED FOR FABRICATION UNTIL SIGNED COPY IS RECEIVED.

VERIFICATION AND APPROVAL OF GENERAL ARRANGEMENT AND OVERALL DIMENSIONS FOR THIS DOCUMENT ARE REQUIRED BEFORE THE ORDER IS ENTERED FOR MANUFACTURING.

APPROVAL SIGNATURE _____

TITLE HELD _____

DATE OF APPROVAL _____

DRAWN juriaran	7/23/2020	DURAVENT GROUP	
CHECKED	MILCOR by duravent	Fax: 855-549-2674 www.duraventgroup.com 28 W.Adams, Suite 1810 Detroit, MI 48226 Ph: 800-624-8642	
QA	TOLERANCE UNLESS SPECIFIED	TITLE THERMAL PRO ROOF HATCH - 30X54	
MFG	.XXX ± 0.005"	3501-244-9	
APPROVED	.XX ± 0.01"	SIZE D	DWG NO 3501-244-9 SUBMITTAL
	FRACT. ± 1/16"	SCALE	REV A
	ANGLES ± 1'	SHEET 1 of 1	