

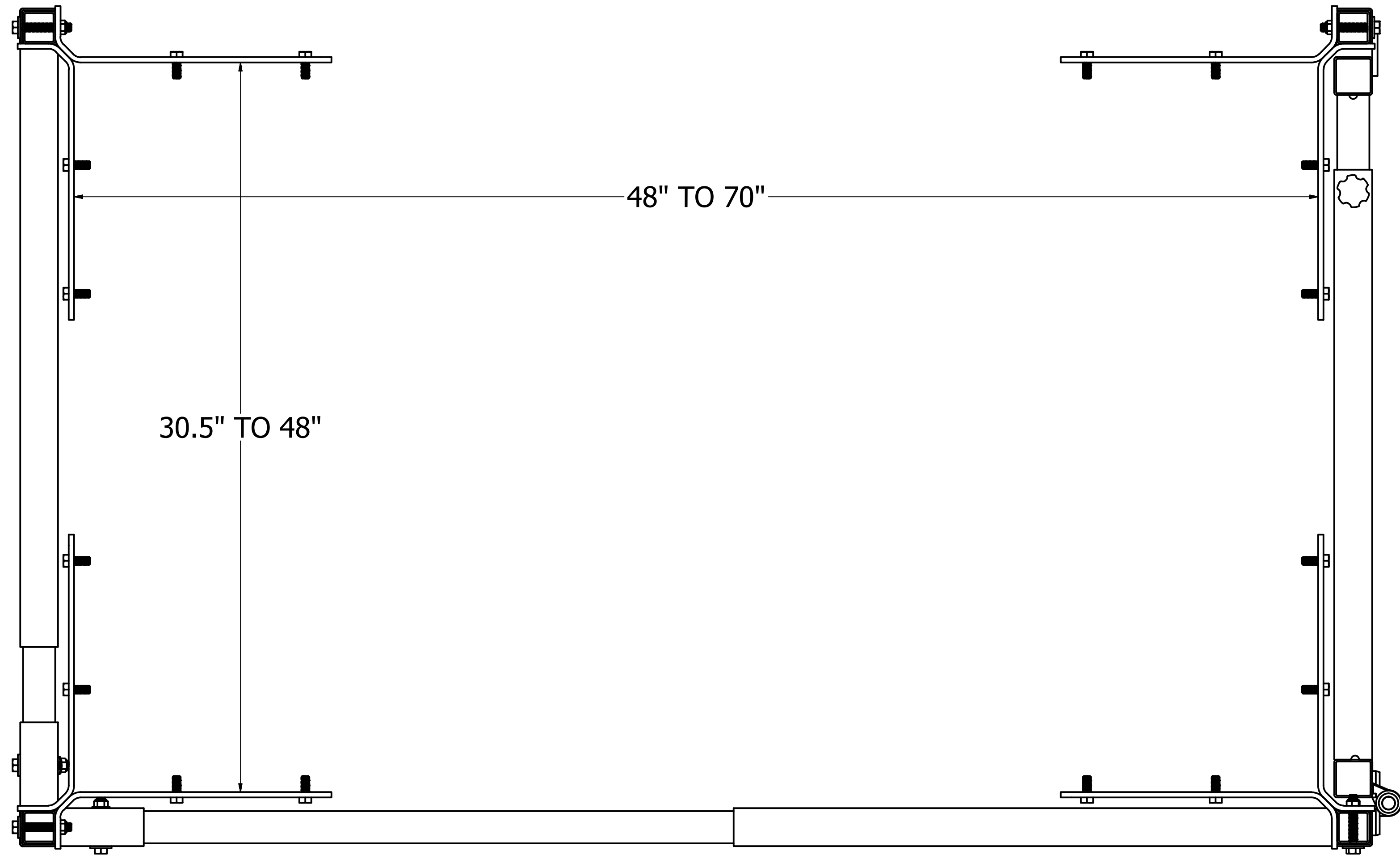
STANDARD RETROFIT SAFETY

RAILING COMPATIBILITY:

(NOMINAL HATCH WIDTH X LENGTH)
 30.5" x 48" - MINIMUM
 48" x 70" - MAXIMUM
 SPECIALS FOR NOMINAL HATCHES LARGER THAN 48" X 70"
 RAIL HEIGHT MEETS 42" REQUIREMENT
 DISPLAYED DIMENSION ARE OUTSIDE DIMENSIONS OF CURB, NOT NOMINAL.

FEATURES:

1. SELF CLOSING HINGES
2. POWER COATED SAFETY YELLOW
3. SLOTTED CORNER BRACKET HOLES FOR UNIVERSAL COMPATABILITY AND EASE OF INSTALLATION
4. RAIL AND GATE TELESCOPE TO ACCOMODATE MULTIPLE HATCH SIZES.



ORDER WILL NOT BE RELEASED FOR FABRICATION UNTIL SIGNED COPY IS RECEIVED

VERIFICATION AND APPROVAL OF GENERAL ARRANGEMENT AND OVERALL DIMENSIONS FOR THIS DOCUMENT ARE REQUIRED BEFORE THE ORDER IS ENTERED FOR MANUFACTURING.

APPROVAL SIGNATURE _____

TITLE HELD _____

DATE OF APPROVAL _____

DRAWN juriaran	5/15/2020	HART & COOLEY INC. Fax: 855-549-2674 www.hartandcooleyinc.com	
CHECKED		5030 Corporate Exchange Blvd. SE Grand Rapids, MI. 49512 Ph: 800-624-8642	
QA	TOLERANCE UNLESS SPECIFIED	TITLE RETROFIT SAFETY RAIL, MID	
MFG	.XXX ± 0.005"	SIZE D	DWG NO MSTR-48-70_SUB
APPROVED	.XX ± 0.01"	SCALE	REV --
	FRACT. ± 1/16"	SHEET 1 OF 1	
	ANGLES ± 1'		