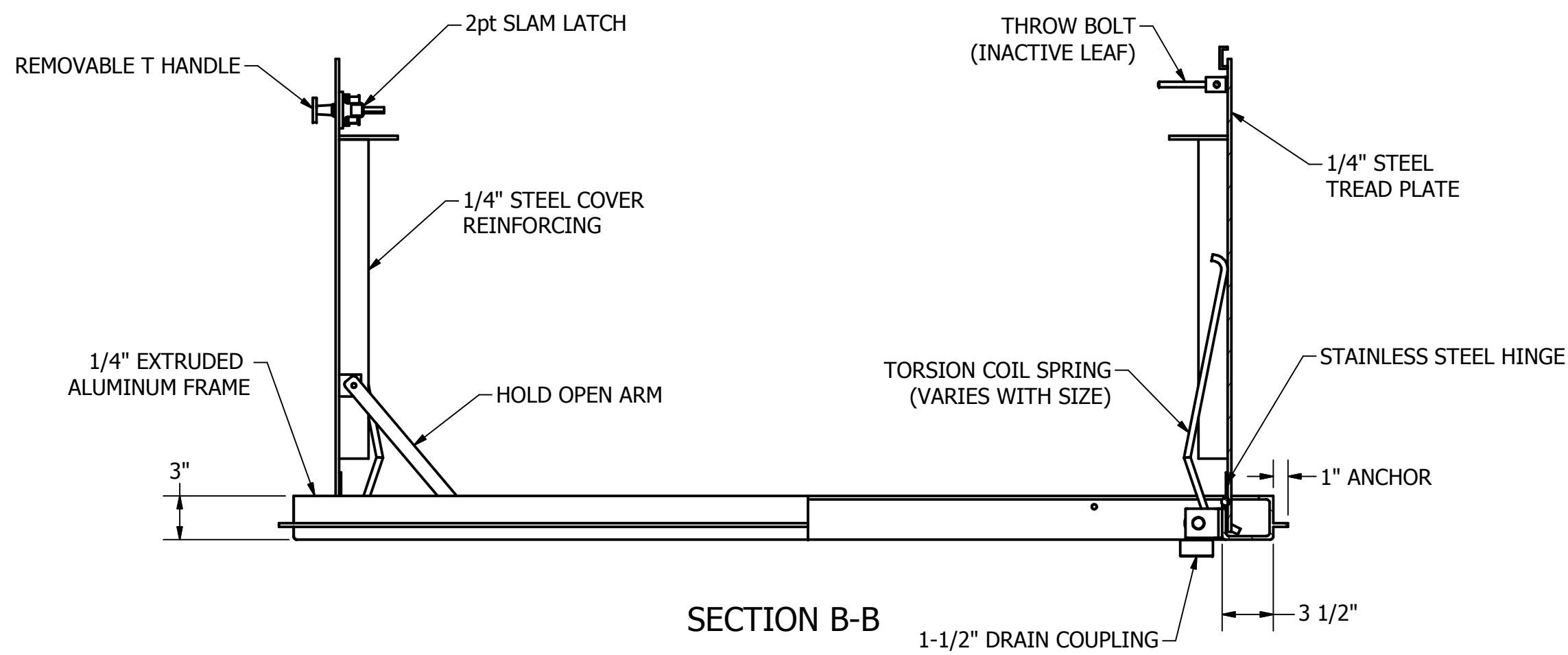
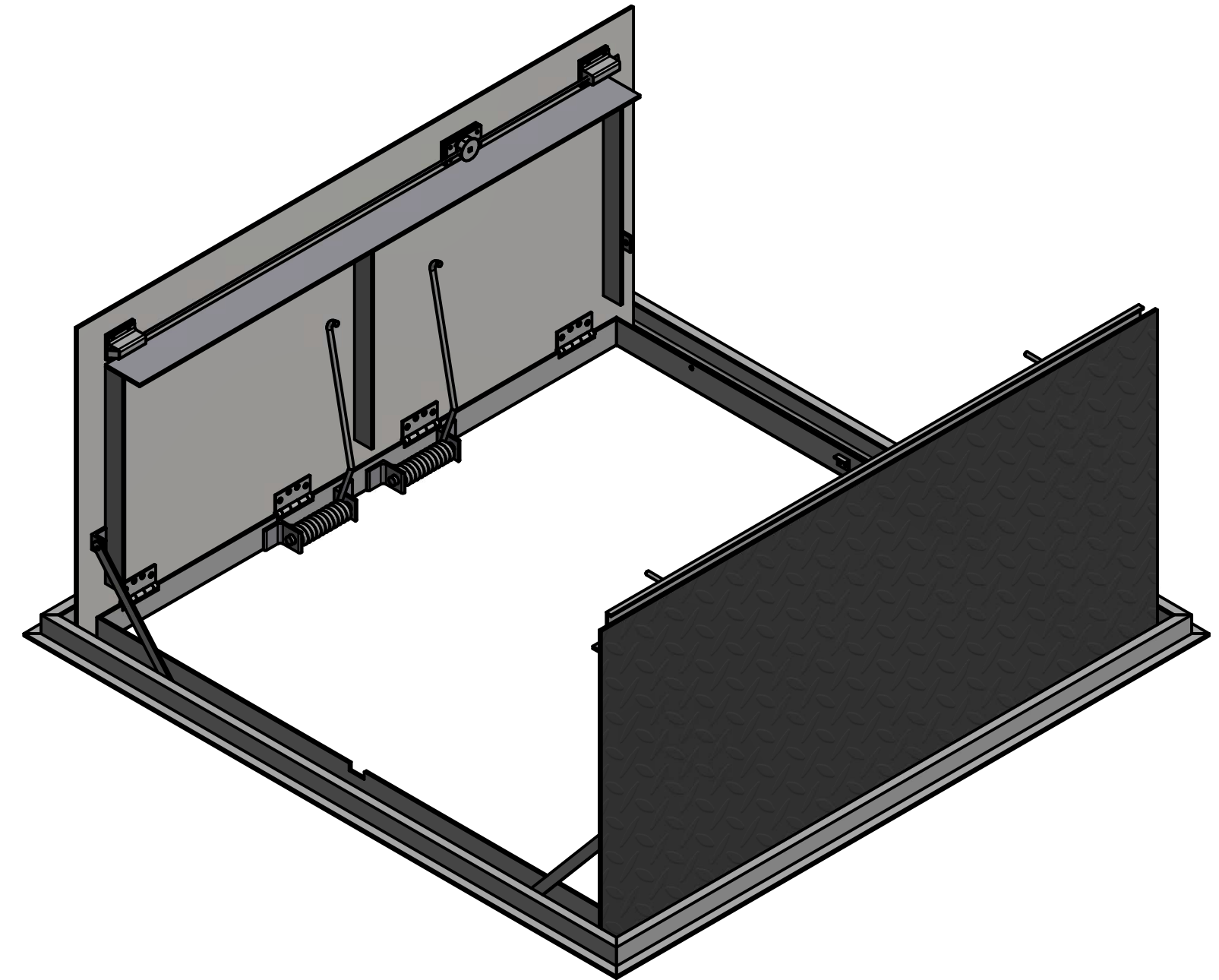
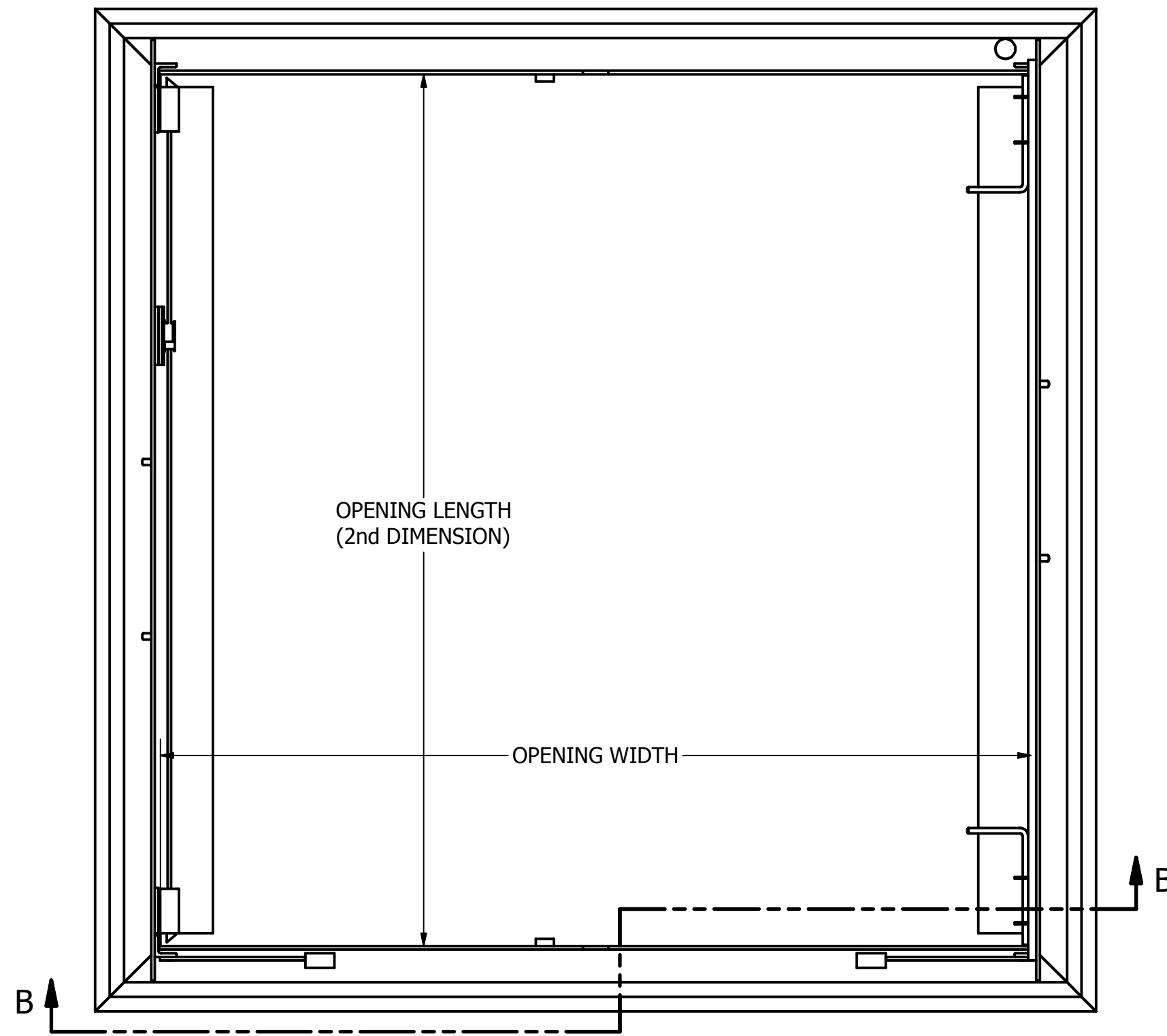


- NOTES:
 1) POWDER COATED GRAY
 2) APPROVED BY FACTORY MUTUAL
 3) RATED FOR: 300psf LIVE LOAD
 4) MATERIAL:
 FRAME - 1/4" EXTRUDED ALUMINUM
 COVER - 1/4" STEEL TREAD PLATE
 HINGES - 304 STAINLESS STEEL
 HARDWARE - 304 STAINLESS STEEL W/EXCEPTIONS
 5) SIZES:
 GA-5 3'6" X 3'6"
 GA-6 2'10" X 3'4"
 GA-7 3'4" X 3'10"
 GA-8 3'10" X 3'10"
 GA-9 4'0" X 4'0"
 GA-10 4'0" X 6'0"
 GA-11 5'0" X 5'0"



DRAWN	CD	8/3/2018	HART & COOLEY INC.	
CHECKED			Fax: 855-549-2674 www.hartandcooleyinc.com	
QA			5030 Corporate Exchange Blvd. SE Grand Rapids, MI. 49512 Ph: 800-624-8642	
MFG			TITLE	
APPROVED			GA DOUBLE LEAF SIDEWALK DOOR	
			SIZE	DWG NO
			C	SUBMITTAL
			SCALE	SHEET 1 OF 1

TOLERANCE	UNLESS SPECIFIED
.XXX	± 0.005"
.XX	± 0.01"
FRACT.	± 1/16"
ANGLES	± 1'