

**STANDARD SIZES & PART #'S**

DOOR SIZE (W X H)	No. OF CAMS	No. OF HINGES	PRODUCT PART #'S			
			PAINTED STEEL		STAINLESS STEEL	
			CAM LATCH	1X CYL LOCK	CAM LATCH	1X CYL LOCK
8 X 8	1	1	3203008	3203108		
10 X 10	1	1	3203010	3203020	3203030	3203040
12 X 12	1	1	3203012	3203112		
14 X 14	1	2	3203014	3203024	3203034	3203044
16 X 16	1	2	3203016	3203116		
18 X 18	1	2	3203017	3203117		
22 X 22	4*	2	3203018	3203028	3203039	3203048
24 X 24	4*	2	3203019	3203119		
24 X 36	5*	3	3203036	3203136		

\* = One Cam Centered at Top and Bottom of Panel; Balance on Side Opposite Hinges

**STANDARD DOOR FEATURES AND NOTES**

- 16 GA. C.R.S. FRAME
- 16 GA. C.R.S. DOOR PANEL
- CONCEALED SPRING HINGE ALLOWING DOOR TO OPEN 175°
- EASY OPENING SCREWDRIVER CAM LATCH
- WHITE POWDER COATED STEEL
- ROUGH REQ. WALL OPENING = WIDTH + 1/2' X HEIGHT + 1/2'
- ANGLE IRON COVER SUPPORT USED WHEN SIZE > 36' X 36'
- WALL APPLICATION ONLY WHEN SIZE > 36' X 36'

**SPECIAL OPTIONS**

SIZE: W= \_\_\_\_\_ H= \_\_\_\_\_  
 FINISH: \_\_\_\_\_  
 HINGE: \_\_\_\_\_  
 PIANO HINGE MUST BE USED WHEN HEIGHT > 48"  
 LATCH/LOCK: \_\_\_\_\_  
 ANCHORS: \_\_\_\_\_ GASKET: \_\_\_\_\_  
 NOTES: \_\_\_\_\_

\$25 SPECIAL SET UP FEE UPON ORDER

ORDER WILL NOT BE RELEASED FOR FABRICATION UNTIL SIGNED COPY IS RECEIVED.

VERIFICATION AND APPROVAL OF GENERAL ARRANGEMENT AND OVERALL DIMENSIONS OF THIS DOCUMENT ARE REQUIRED BEFORE THE ORDER IS ENTERED FOR MANUFACTURING.

APPROVAL SIGNATURE: \_\_\_\_\_  
 TITLE HELD: \_\_\_\_\_  
 DATE OF APPROVAL: \_\_\_\_\_

THIS DRAWING IS THE PROPERTY OF MILCOR AND CONTAINS PROPRIETARY INFORMATION. NOT TO BE REPRODUCED OR REDISTRIBUTED WITHOUT MILCOR'S WRITTEN PRIOR CONSENT.

**MILCOR**<sup>®</sup>  
 5030 Corporate Exchange Blvd. SE, Grand Rapids, MI 49512  
 PH.: 800-624-8642 FAX: 855-549-2674 www.milcorinc.com

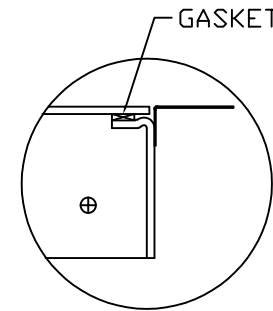
**STANDARD FLUSH DOOR for DRYWALL, CEILINGS or WALLS DW ACCESS DOOR**

JOB NAME: \_\_\_\_\_

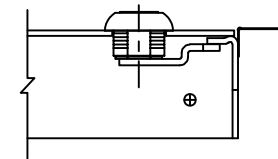
REP NAME: \_\_\_\_\_

STANDARD ACCESS DOOR PART #:

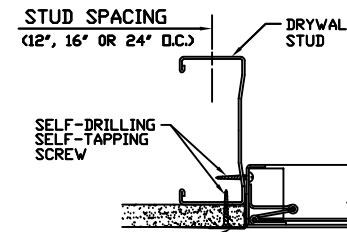
SPECIAL ACCESS DOOR (FILL OUT SPECIAL OPTIONS)



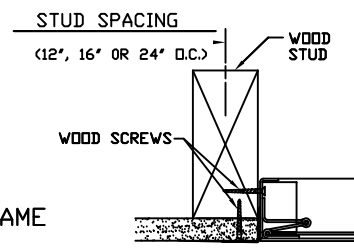
**GASKET DETAIL (NOT STANDARD)**



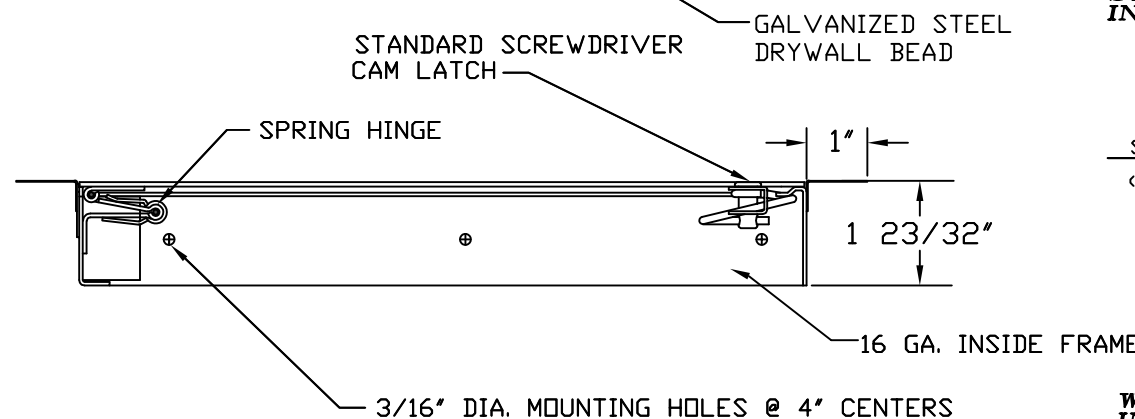
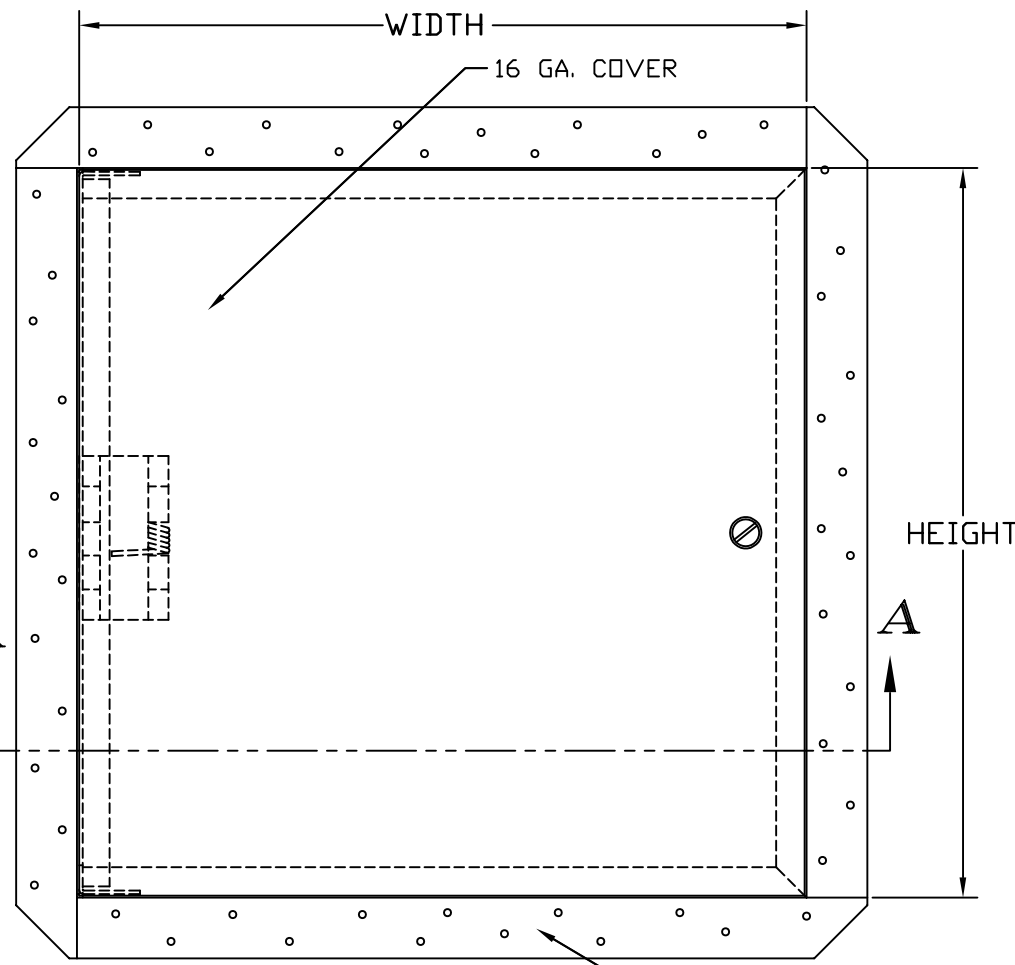
**CYLINDER LOCK (NOT STANDARD)**



**STEEL STUD INSTALLATION DETAIL**



**WOOD STUD INSTALLATION DETAIL**



**SECTION VIEW A-A**

QUANTITY: \_\_\_\_\_  
 SELECT STD. OR SPEC. \_\_\_\_\_