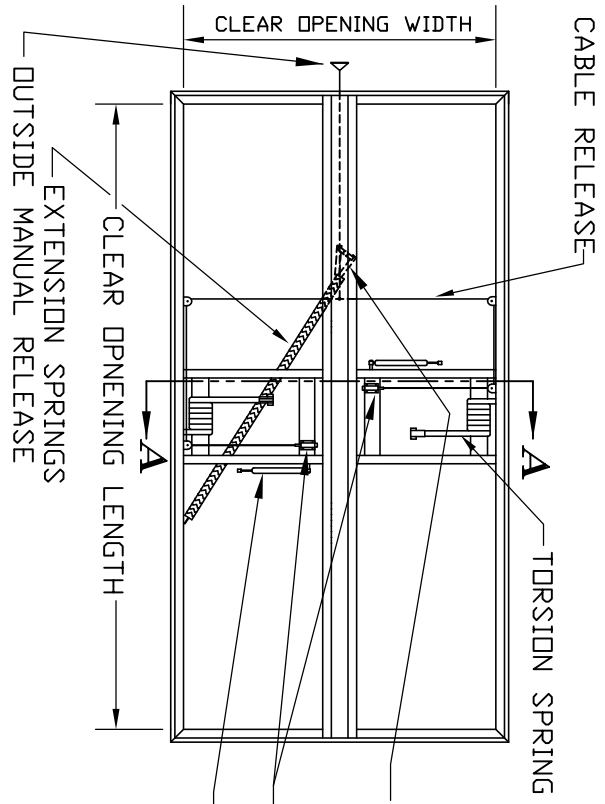


SECTION VIEW A-A



INSIDE CURB DIM.				
STANDARD MODELS	WIDTH	LENGTH VARIES	QTY.	UL FM
UL-SKY 4848-4896	48"	48'-96"		
UL-SKY 5448-5496	54"	48'-96"		
UL-SKY 6048-6096	60"	48'-96"		
UL-SKY 6648-6696	66"	48'-96"		
UL-SKY 7248-7296	72"	48'-96"		

UL-SKY FLAT PANEL SMOKE VENT			
MATERIAL SCHEDULE			
QUANTITY	SIZE	COVER	FRAME
SEE CHART	.090 ALUM.	16 GA. GALV.	
DEALER			
PROJECT			
LOCATION			
ARCH.			
CONT'D			
DATE			
REV			
DRAWN			
JOB NO.			
SHEET			

MILCOR
 5030 Corporate Exchange Blvd. Ste. Grand Rapids, MI 49512
 PH: 606-624-4842 FAX: 606-624-2674 WWW.MILCOR.COM

VERIFICATION AND APPROVAL OF GENERAL ARRANGEMENT AND OVERALL DIMENSIONS OF THIS DOCUMENT ARE REQUIRED BEFORE THE ORDER IS ENTERED FOR MANUFACTURING.
 APPROVAL SIGNATURE _____
 TITLE _____
 DATE OF APPROVAL _____