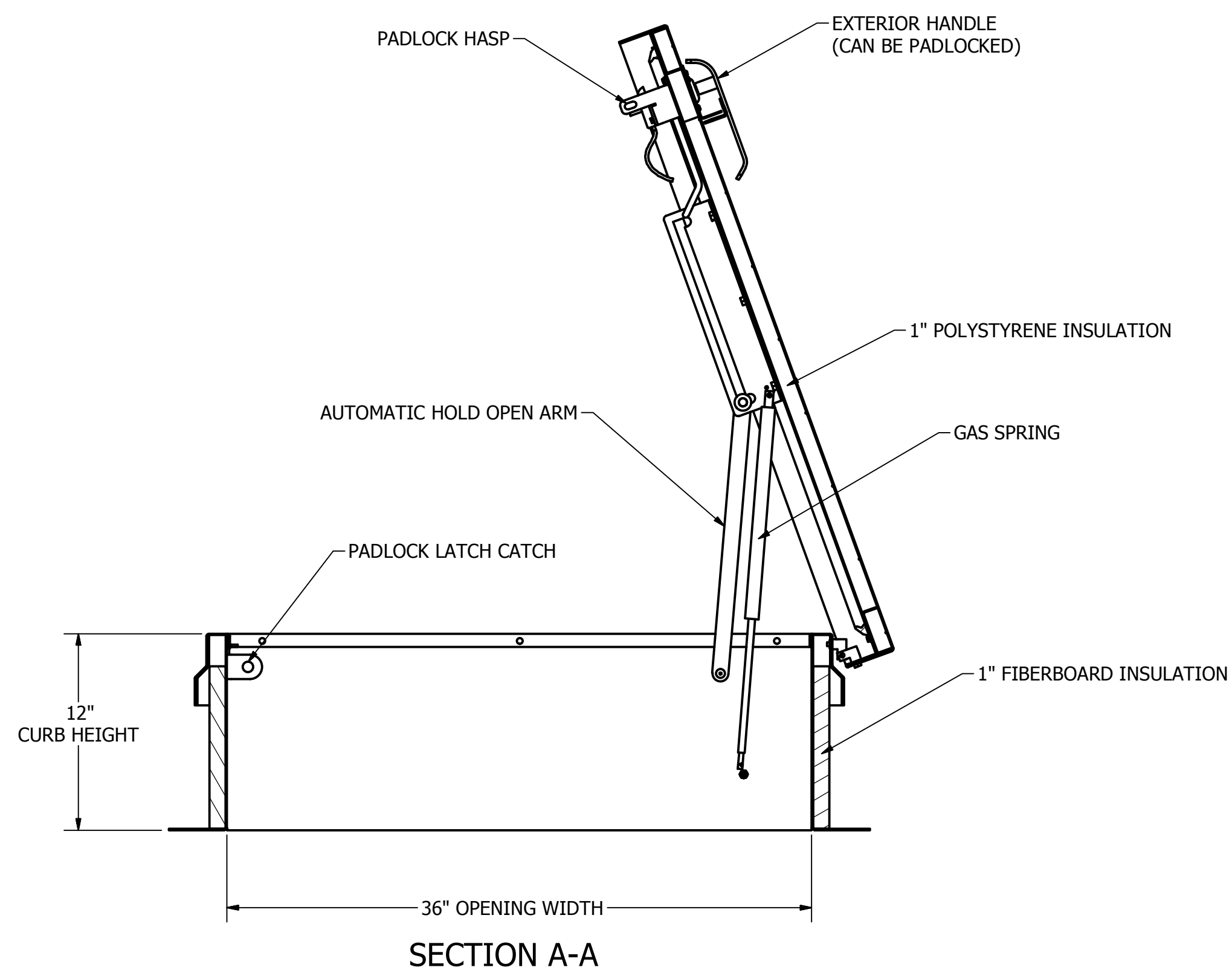
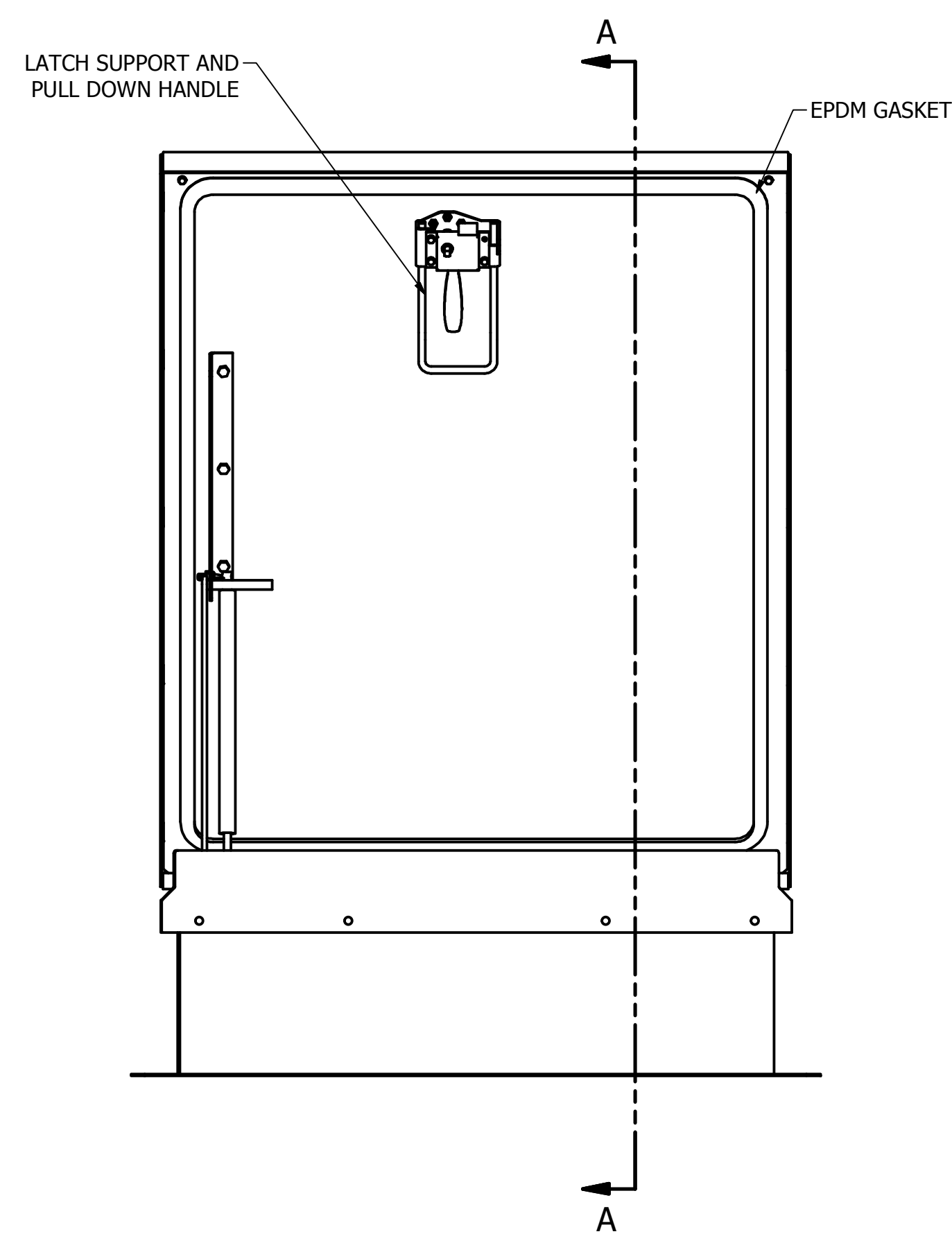


- NOTES:  
 SIZE: M - 3'0" X 2'6"  
 1) 70 psf COVER LIVE LOAD RATING  
 2) HATCH POWDERCOATED WHITE  
 3) MATERIALS  
     14ga GALVANIZED, COVER  
     14ga GALVANIZED, CURB  
     14ga GALVANIZED, COUNTER FLASHING  
     22ga GALVANIZED, COVER LINER  
 4) ZINC PLATED HARDWARE  
 5) GAS SPRING COVER ASSIST



DRAWN	JCS	11/28/18	Fax: 855-549-2674 www.hartandcooleyinc.com		
CHECKED		<b>MILCOR</b>	5030 Corporate Exchange Blvd. SE Grand Rapids, MI. 49512 Ph: 800-624-8642		
QA		TOLERANCE	TITLE		
MFG		UNLESS SPECIFIED	M1 Roof Hatch		
APPROVED		.XXX ± 0.005"	3501-501-9		
		.XX ± 0.01"	SIZE	DWG NO	REV
		FRACT. ± 1/16"	D	3501-501-9_submittal	D
		ANGLES ± 1'	SCALE	SHEET 1 OF 1	