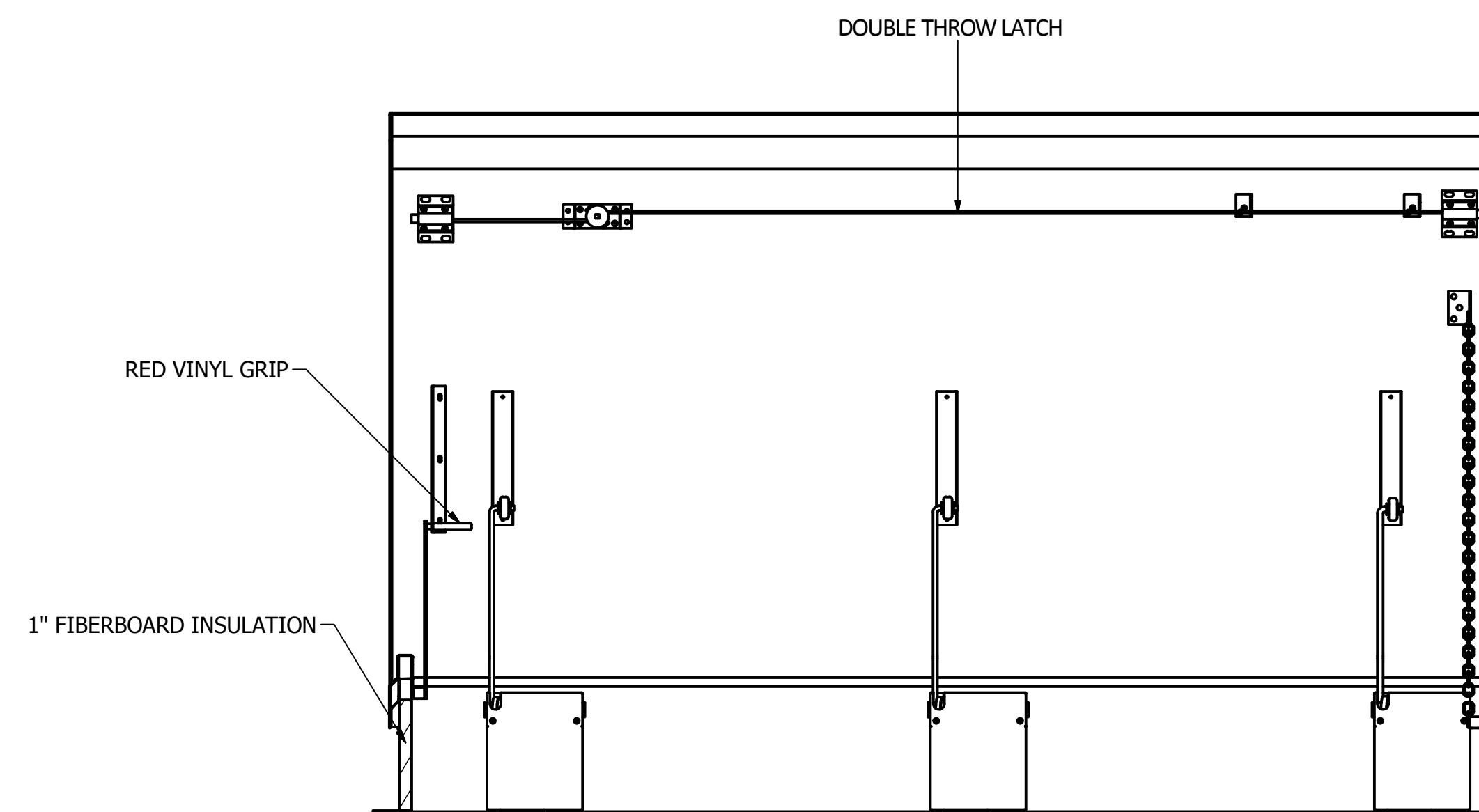
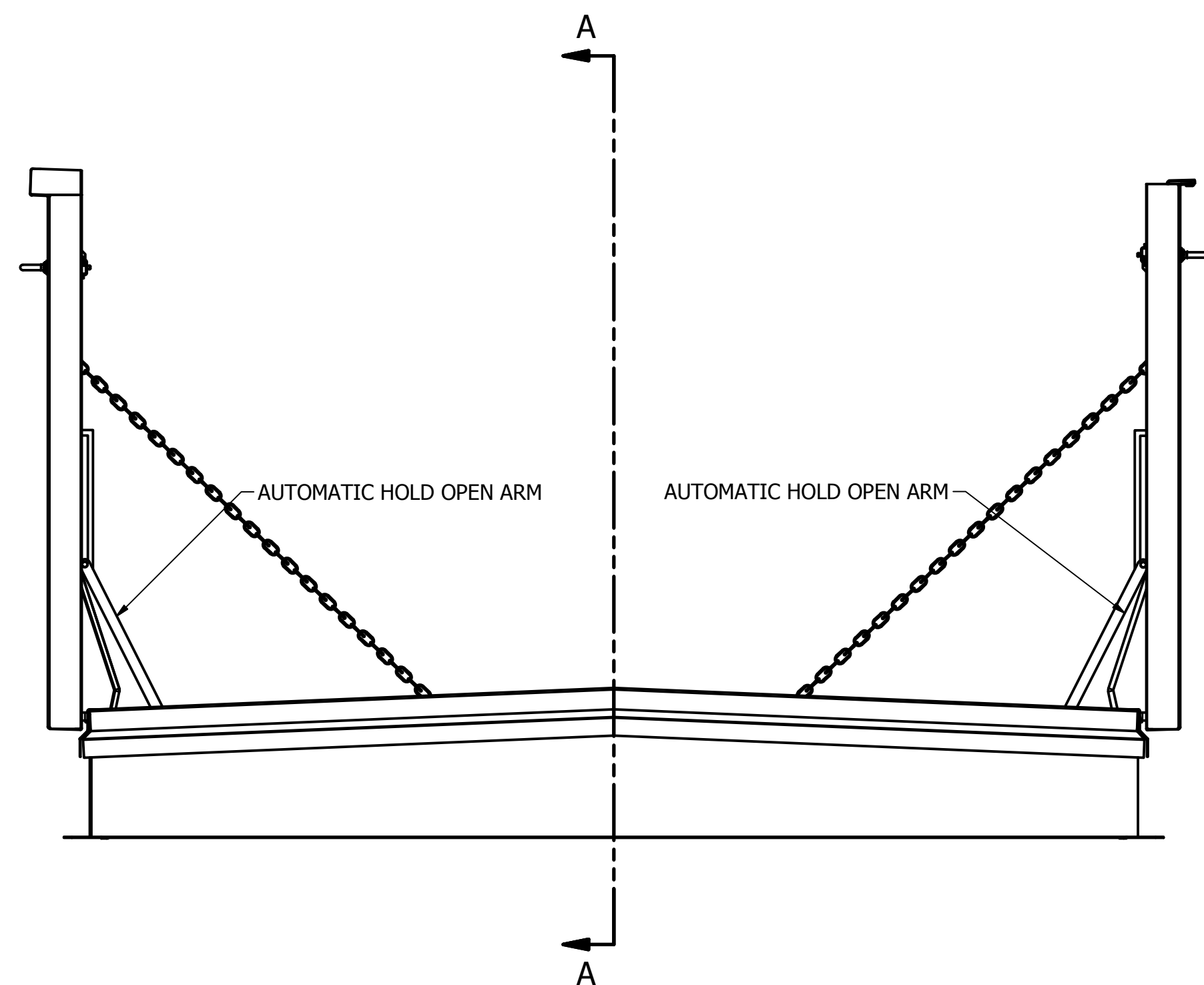


- NOTES:
- SIZE: RC-8'0"X8'0"
- 1) 40psf COVER LIVE LOAD RATING
  - 2) MILL FINISH
  - 3) MATERIALS:
    - .090 ALUMINUM, COVER
    - 14ga GALVANIZED, CURB
    - 14ga GALVANIZED, COUNTER FLASHING
    - .063 ALUMINUM, COVER LINER



ORDER WILL NOT BE RELEASED FOR FABRICATION UNTIL SIGNED COPY IS RECEIVED.

VERIFICATION AND APPROVAL OF GENERAL ARRANGEMENT AND OVERALL DIMENSIONS FOR THIS DOCUMENT ARE REQUIRED BEFORE THE ORDER IS ENTERED FOR MANUFACTURING.

APPROVAL SIGNATURE \_\_\_\_\_

TITLE HELD \_\_\_\_\_

DATE OF APPROVAL \_\_\_\_\_

DRAWN	CMD	2/25/2015	Hart & Cooley Inc.		
CHECKED	<b>MILCOR</b>		5030 Corporate Exchange Blvd. SE Grand Rapids, MI. 49512 Ph: 800-624-8642		
QA	TOLERANCE UNLESS SPECIFIED		TITLE		
MFG	.XXX ± 0.005"		RC-6 DOUBLE LEAF ROOF ASSEMBLY		
APPROVED	.XX ± 0.01"		SIZE	DWG NO	REV
	FRACT. ± 1/16"		D	3501-228-9	--
	ANGLES ± 1'		SCALE	SHEET 1 OF 1	