

8 7 6 5 4 3 2 1

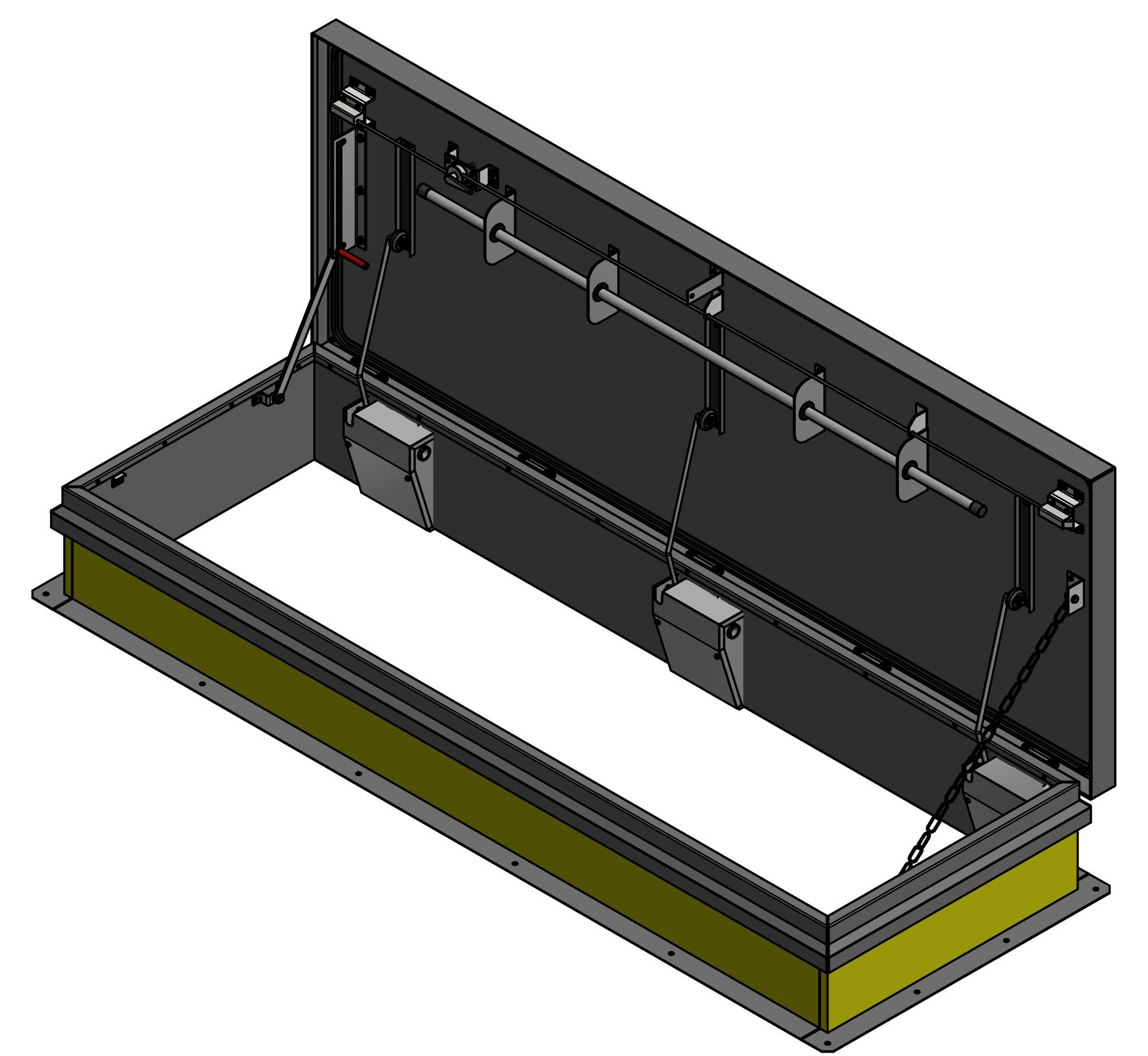
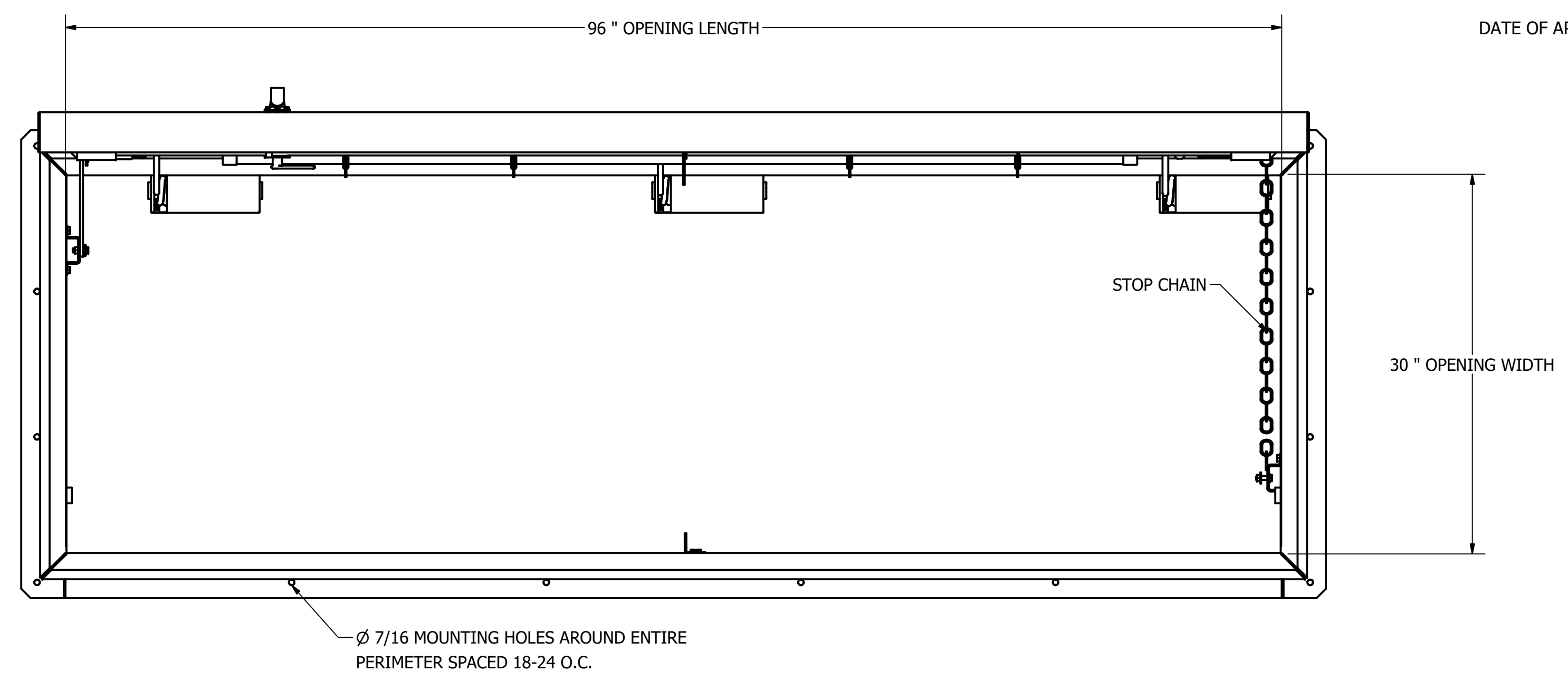
ORDER WILL NOT BE RELEASED FOR FABRICATION UNTIL SIGNED COPY IS RECEIVED.

VERIFICATION AND APPROVAL OF GENERAL ARRANGEMENT AND OVERALL DIMENSIONS FOR THIS DOCUMENT ARE REQUIRED BEFORE THE ORDER IS ENTERED FOR MANUFACTURING.

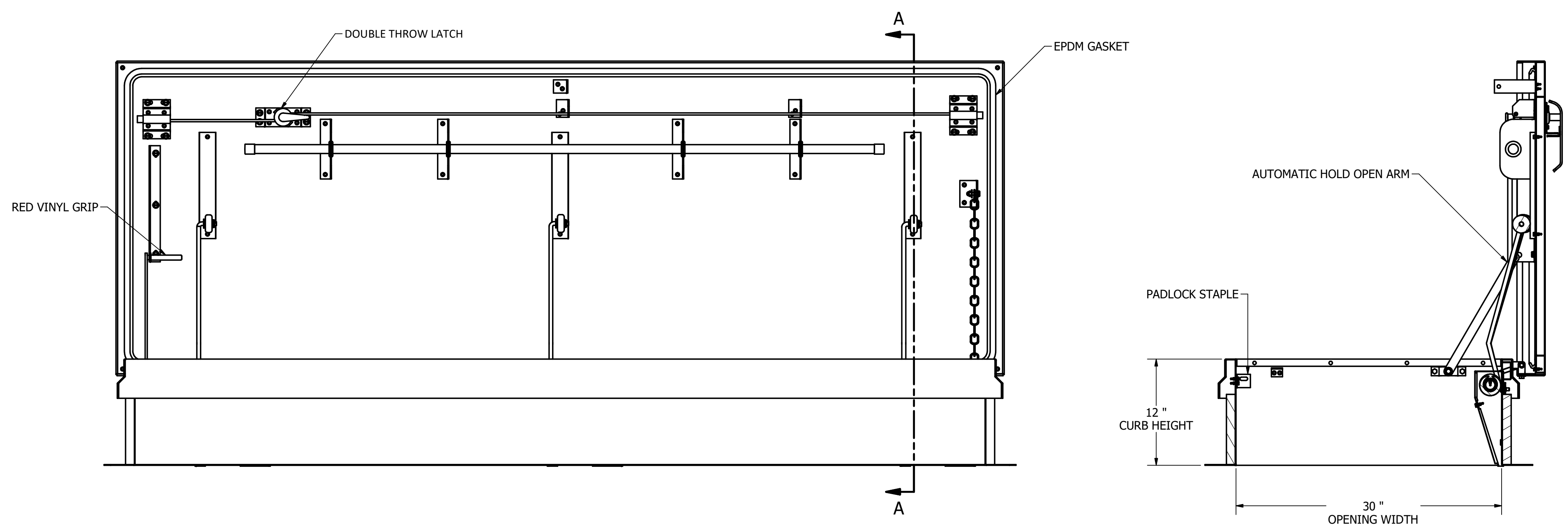
APPROVAL SIGNATURE _____

TITLE HELD _____

DATE OF APPROVAL _____



ISOMETRIC VIEW



SECTION A-A

- NOTES:
- SIZE: 2'-6" X 8'-0"
1. CURB MATERIALS
 - a. 14 GA GALVANIZED CURB
 - b. 14 GA GALVANIZED CURB CAP
 2. CURB CAP MATERIALS
 3. CURB INSULATION THICKNESS AND MATERIALS
 - a. 1" RIGID FIBERBOARD CURB INSULATION
 4. COVER MATERIALS
 - a. 14 GA GALVANIZED COVER
 5. COVER LINER MATERIALS
 - a. 22 GA GALVANIZED COVER LINER
 6. COVER INSULATION THICKNESS AND MATERIALS
 - a. 1" POLYSTYRENE COVER INSULATION
 7. COVER RATED FOR 70PSF LIVE LOAD
 8. COVER AND CURB ARE PAINTED WHITE
 9. ZINC PLATED HARDWARE

DRAWN	4/25/2019	HART & COOLEY INC.	
BC		5030 Corporate Exchange Blvd. SE Grand Rapids, MI. 49512 Ph: 800-624-8642	
CHECKED	MILCOR	TITLE	
CD		M-3 30X96 SINGLE LEAF ROOF HATCH	
QA	TOLERANCE UNLESS SPECIFIED	SIZE	DWG NO
MFG	.XXX ± 0.005"	D	3501-512-9
APPROVED	.XX ± 0.01"	SCALE	REV A
	FRACT. ± 1/16"		
	ANGLES ± 1°		SHEET 1 OF 1

8 7 6 5 4 3 2 1