

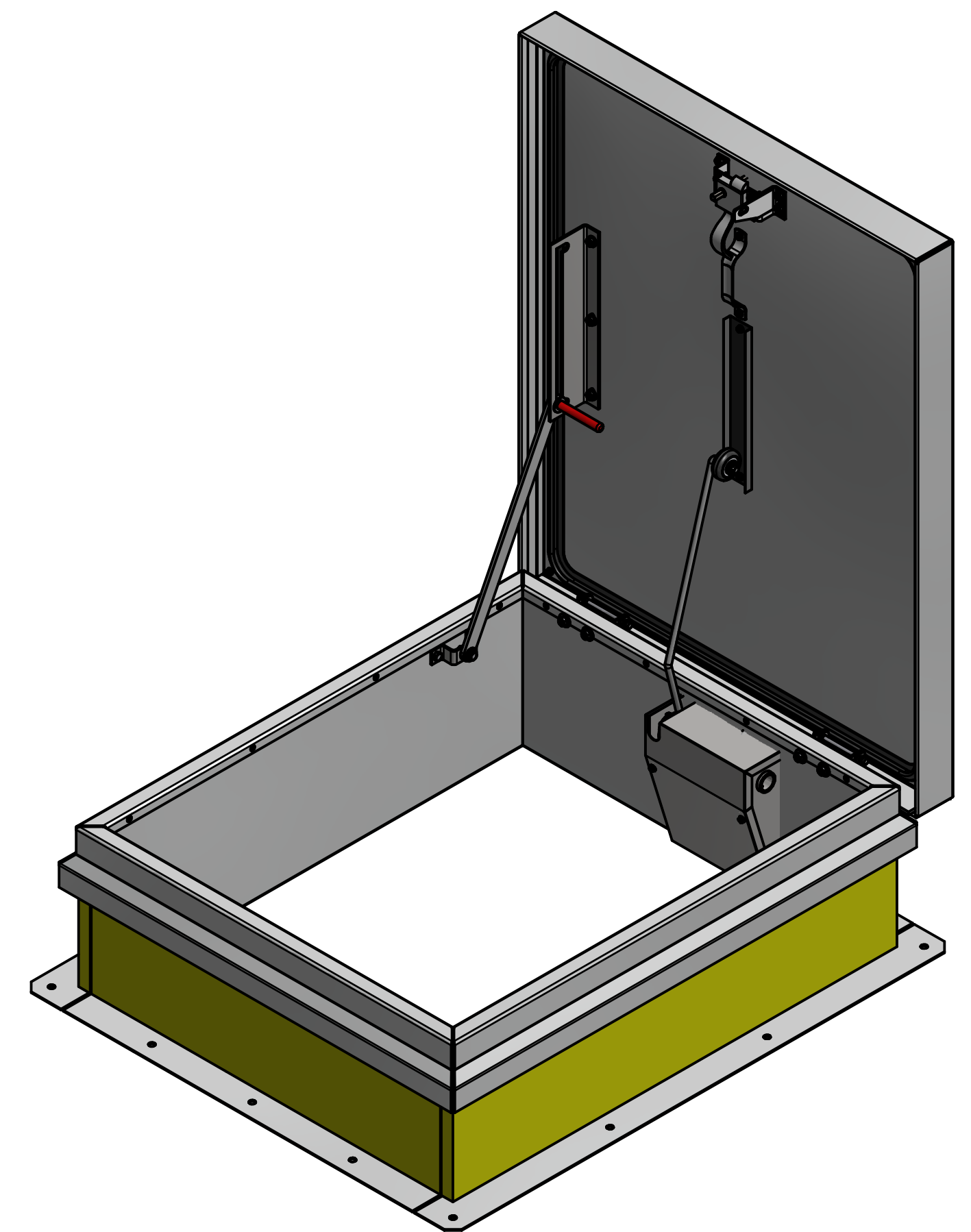
ORDER WILL NOT BE RELEASED FOR FABRICATION UNTIL SIGNED COPY IS RECEIVED.

VERIFICATION AND APPROVAL OF GENERAL ARRANGEMENT AND OVERALL DIMENSIONS FOR THIS DOCUMENT ARE REQUIRED BEFORE THE ORDER IS ENTERED FOR MANUFACTURING.

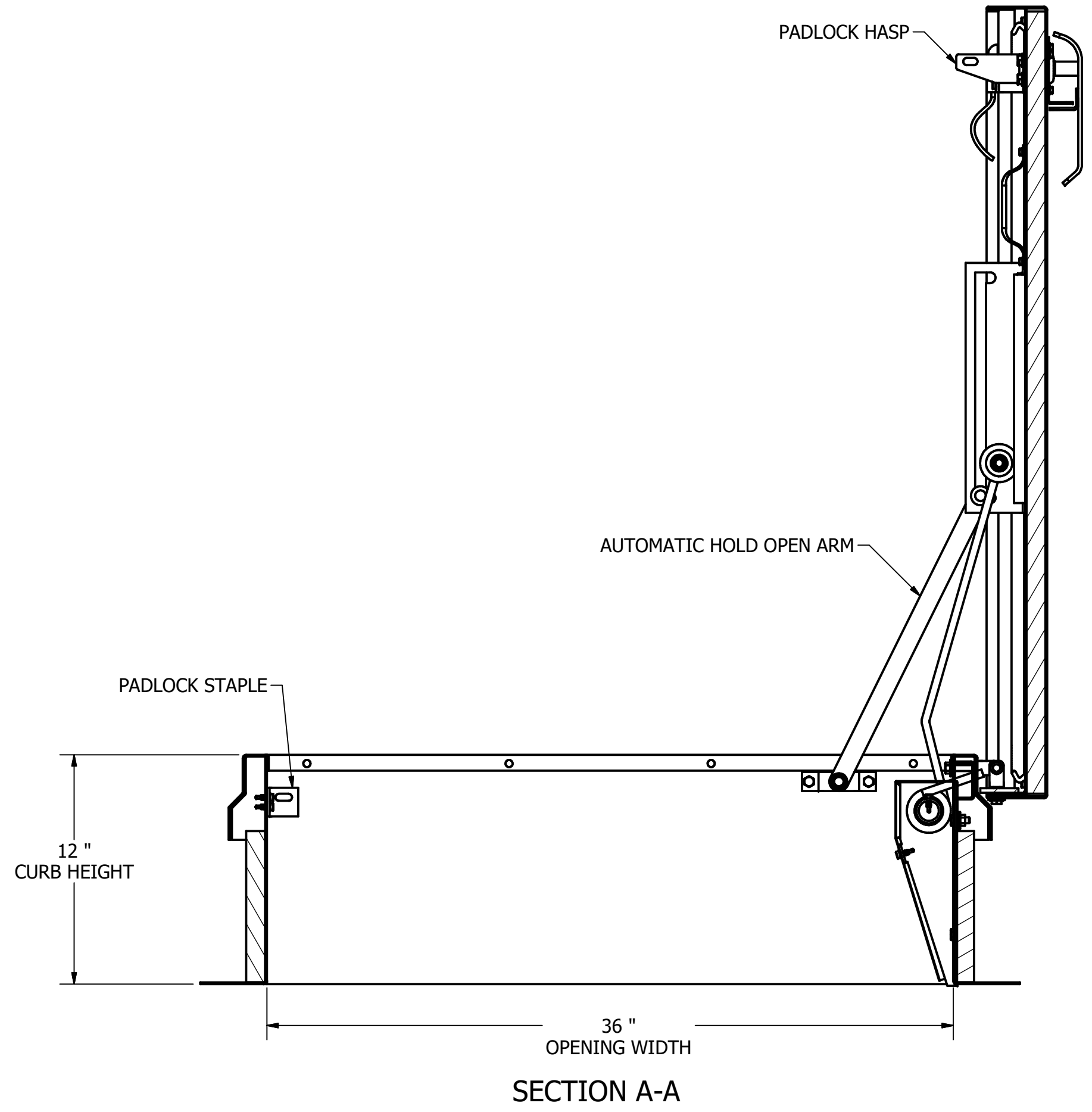
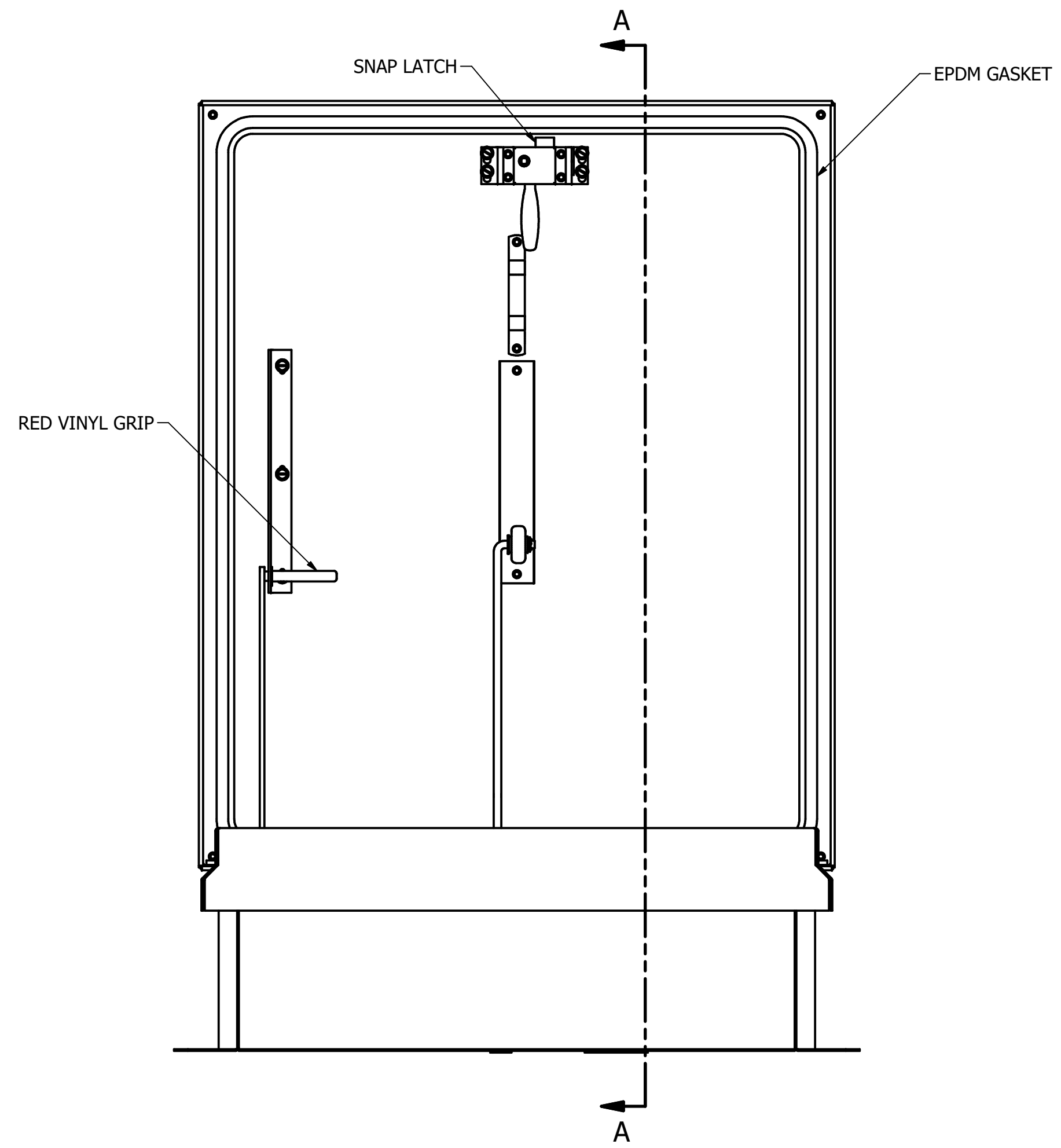
APPROVAL SIGNATURE \_\_\_\_\_

TITLE HELD \_\_\_\_\_

DATE OF APPROVAL \_\_\_\_\_



ISOMETRIC VIEW



- NOTES:
- SIZE: 3'-0" X 2'-6"
- CURB MATERIALS
    - 0.090 ALUMINUM CURB
  - CURB CAP MATERIALS
    - 0.090 ALUMINUM CURB CAP
  - CURB INSULATION THICKNESS AND MATERIALS
    - 1" RIGID FIBERBOARD CURB INSULATION
  - COVER MATERIALS
    - 0.090 ALUMINUM COVER
  - COVER LINER MATERIALS
    - 0.063 ALUMINUM COVER LINER
  - COVER INSULATION THICKNESS AND MATERIALS
    - 1" STYROFOAM COVER INSULATION
  - COVER RATED FOR 70PSF LIVE LOAD
  - COVER AND CURB ARE MILL FINISH
  - ZINC PLATED HARDWARE

DRAWN CDEWILDT	5/15/2019	HART & COOLEY INC. 5030 Corporate Exchange Blvd. SE Grand Rapids, MI. 49512 Ph: 800-624-8642	
CHECKED	<b>MILCOR</b>	TITLE	
QA	TOLERANCE UNLESS SPECIFIED	RD-1 36X30 SINGLE LEAF ROOF HATCH	
MFG	.XXX ± 0.005"	SIZE	D
APPROVED	.XX ± 0.01"	DWG NO	3501-132-9
	FRACT. ± 1/16"	SCALE	1
	ANGLES ± 1'	SHEET 1 OF 1	