

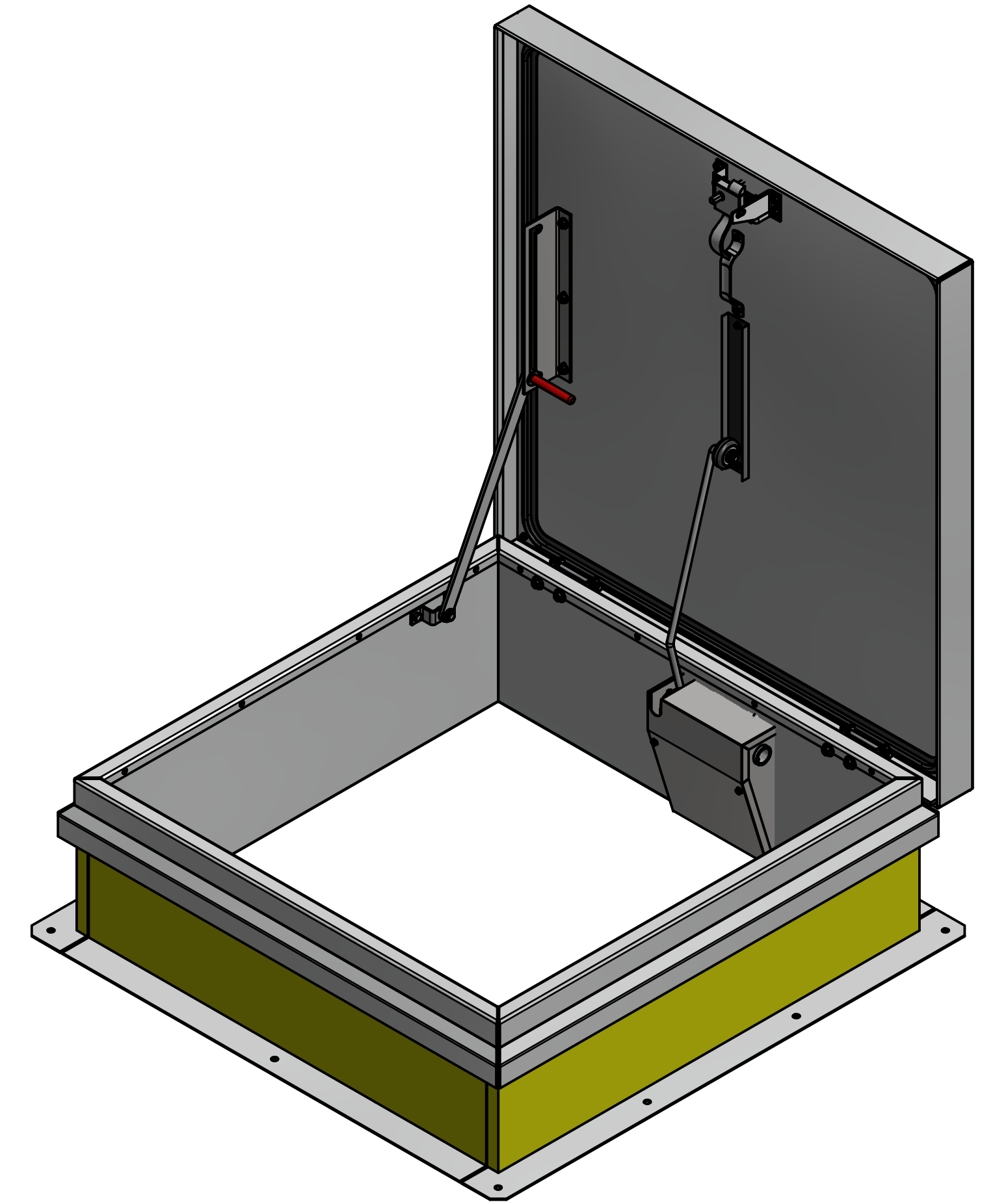
ORDER WILL NOT BE RELEASED FOR FABRICATION UNTIL SIGNED COPY IS RECEIVED.

VERIFICATION AND APPROVAL OF GENERAL ARRANGEMENT AND OVERALL DIMENSIONS FOR THIS DOCUMENT ARE REQUIRED BEFORE THE ORDER IS ENTERED FOR MANUFACTURING.

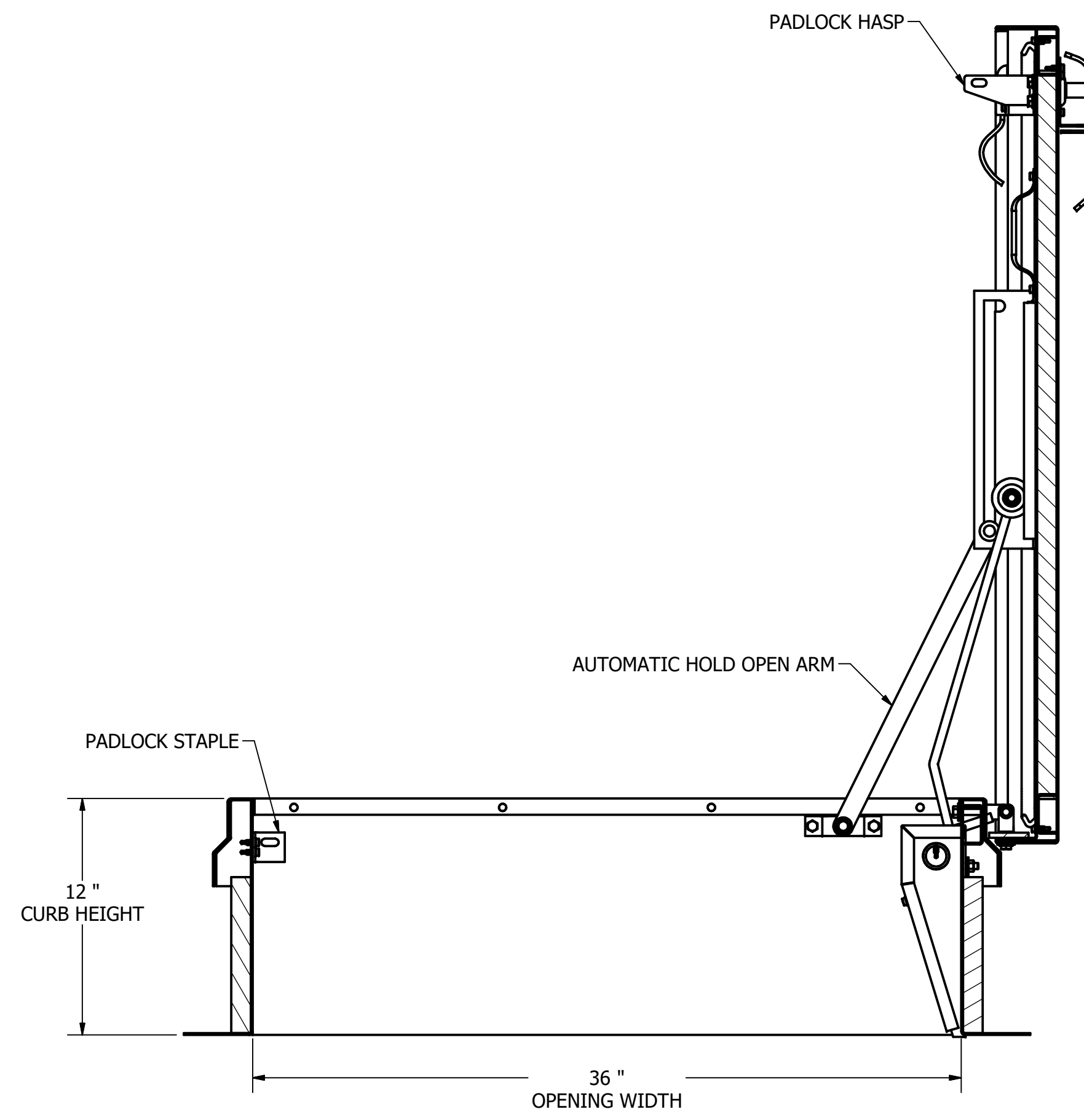
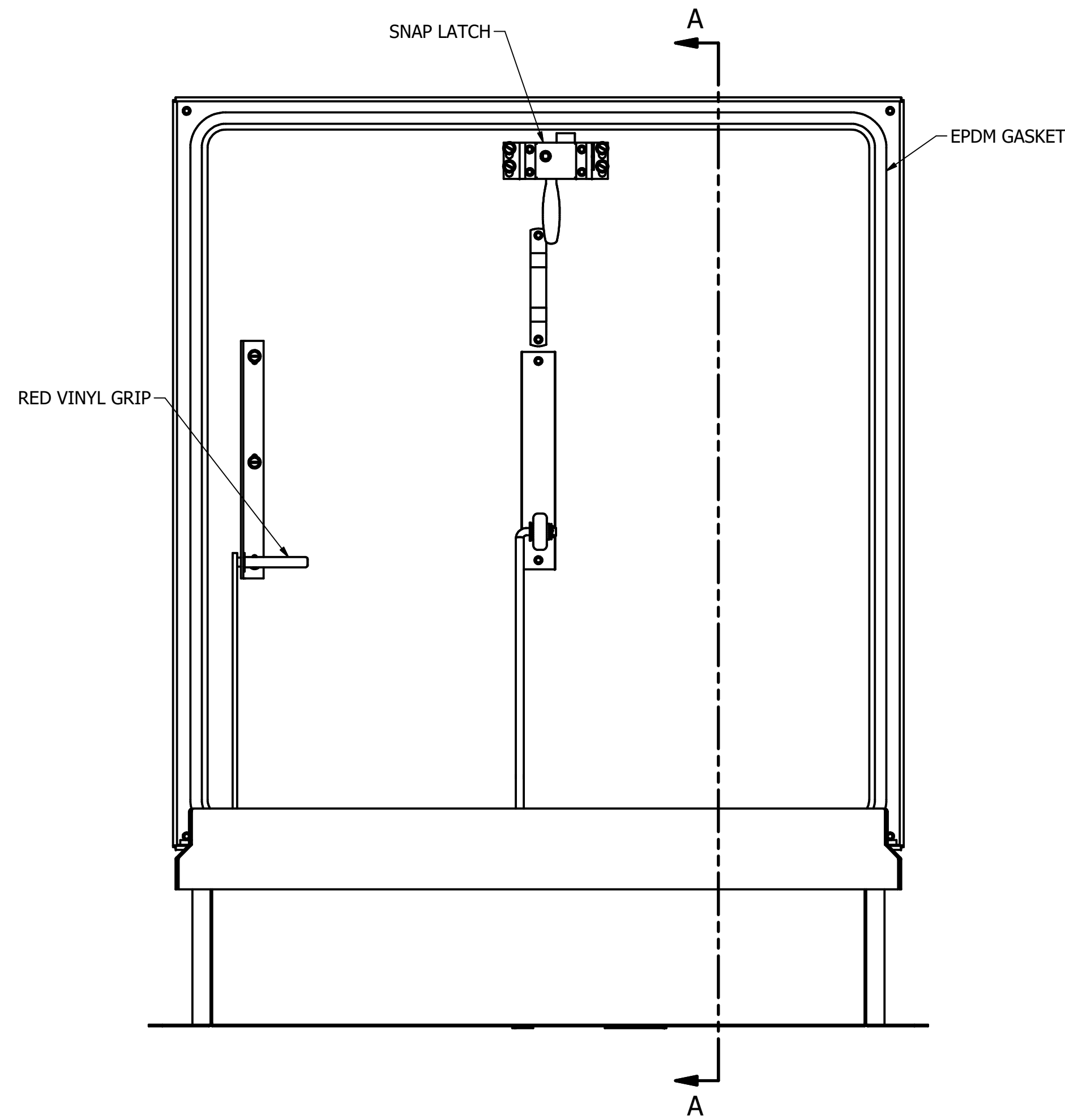
APPROVAL SIGNATURE _____

TITLE HELD _____

DATE OF APPROVAL _____



ISOMETRIC VIEW



SECTION A-A

NOTES:

SIZE: 3'-0" X 3'-0"

1. CURB MATERIALS
 - a. 0.090 ALUMINUM CURB
2. CURB CAP MATERIALS
 - b. 0.090 ALUMINUM CURB CAP
3. CURB INSULATION THICKNESS AND MATERIALS
 - c. 1" RIGID FIBERBOARD CURB INSULATION
4. COVER MATERIALS
 - d. 0.090 ALUMINUM COVER
5. COVER LINER MATERIALS
 - e. 0.063 ALUMINUM COVER LINER
6. COVER INSULATION THICKNESS AND MATERIALS
 - f. 1" FIBERGLASS COVER INSULATION
7. COVER RATED FOR 40PSF LIVE LOAD
8. COVER AND CURB ARE MILL FINISH
9. ZINC PLATED HARDWARE

DRAWN CDEWILDT	5/24/2019	HART & COOLEY INC. 5030 Corporate Exchange Blvd. SE Grand Rapids, MI. 49512 Ph: 800-624-8642	
CHECKED	MILCOR	TITLE	
QA	TOLERANCE UNLESS SPECIFIED	RD-3X3 36X36 SINGLE LEAF ROOF HATCH	
MFG	.XXX ± 0.005"	SIZE	DWG NO
APPROVED	.XX ± 0.01"	D	3501-710-9
	FRACT. ± 1/16"	SCALE	REV
	ANGLES ± 1'		A
		SHEET 1 OF 1	