

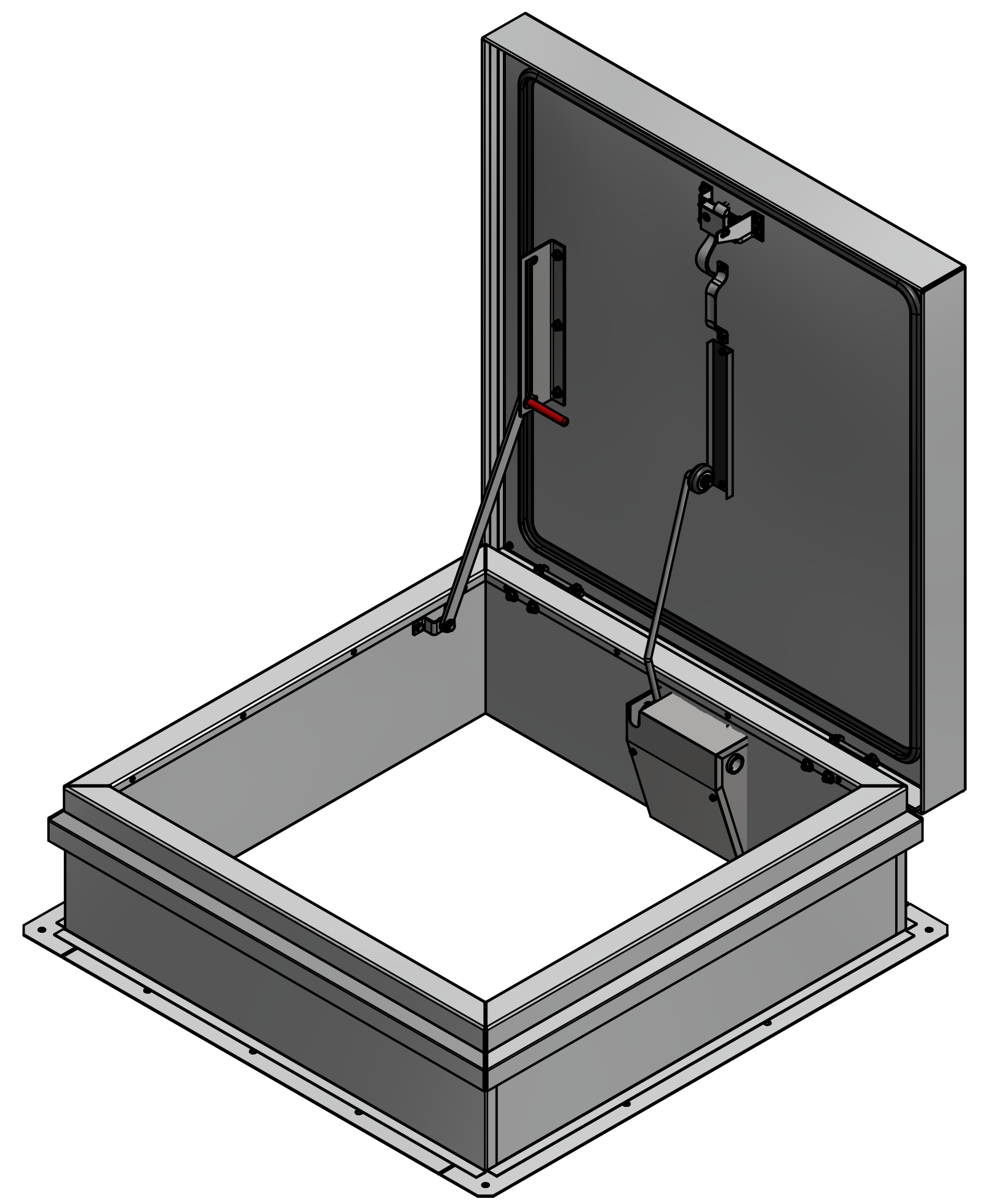
ORDER WILL NOT BE RELEASED FOR FABRICATION UNTIL SIGNED COPY IS RECEIVED.

VERIFICATION AND APPROVAL OF GENERAL ARRANGEMENT AND OVERALL DIMENSIONS FOR THIS DOCUMENT ARE REQUIRED BEFORE THE ORDER IS ENTERED FOR MANUFACTURING.

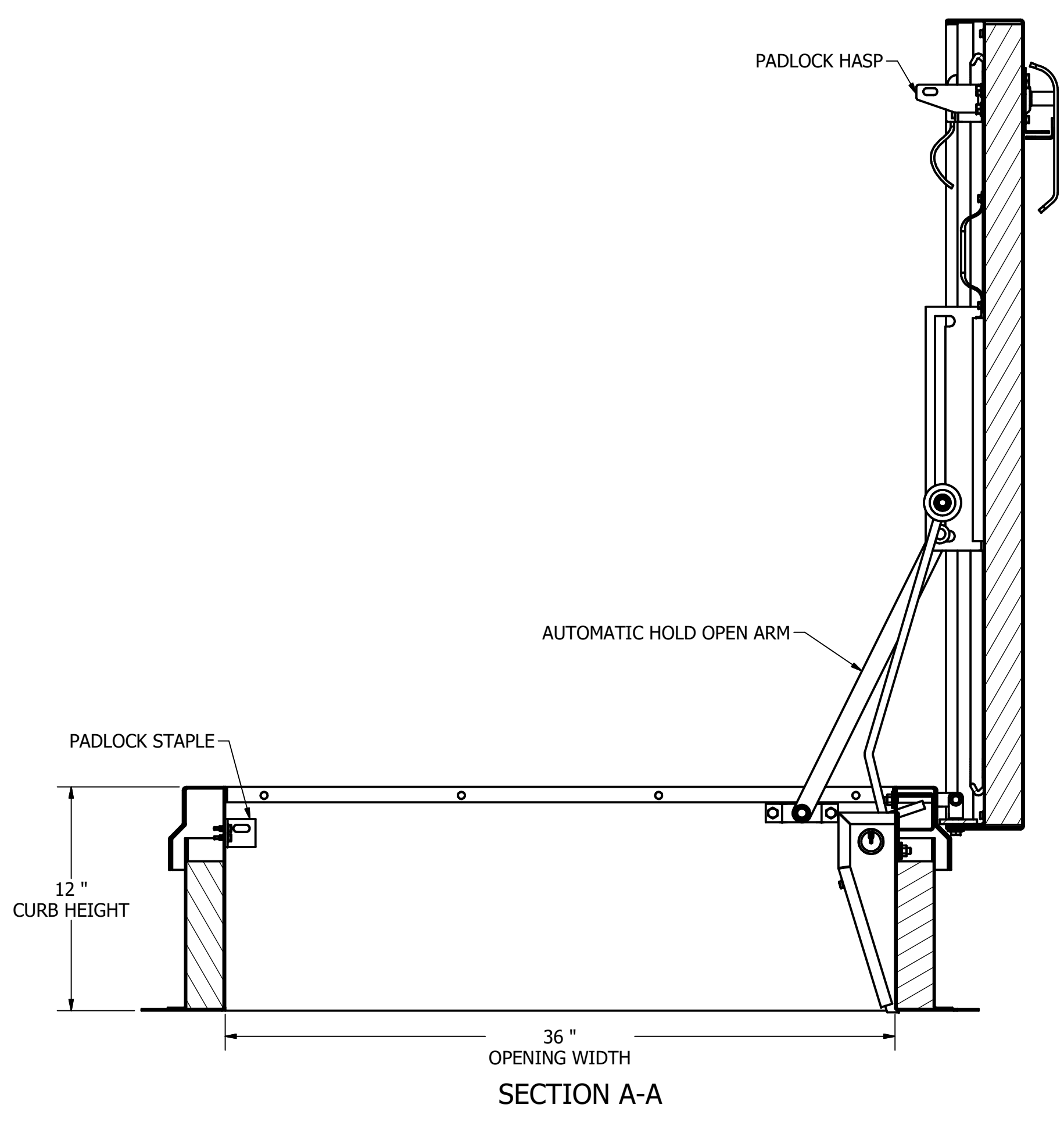
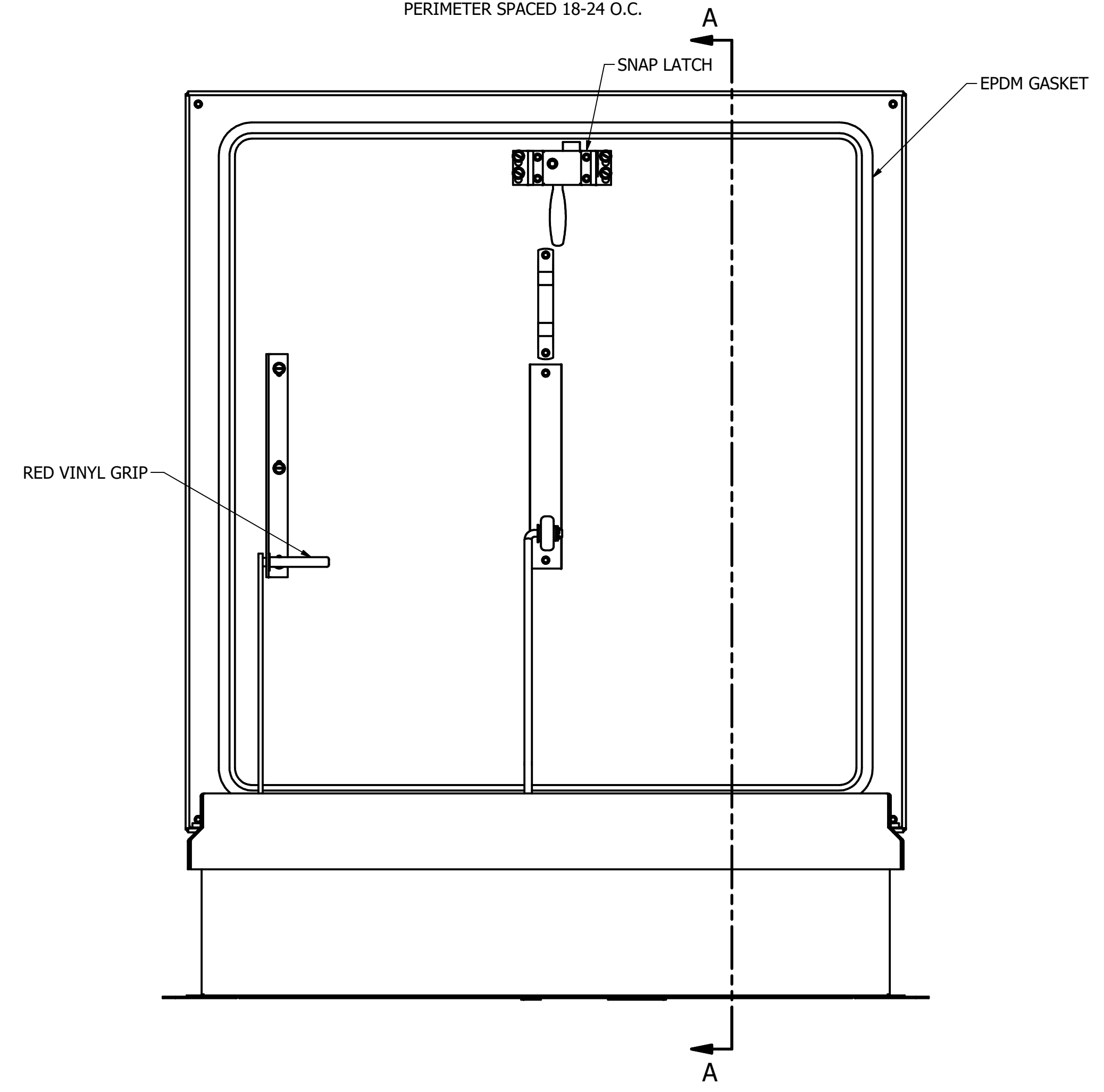
APPROVAL SIGNATURE \_\_\_\_\_

TITLE HELD \_\_\_\_\_

DATE OF APPROVAL \_\_\_\_\_



ISOMETRIC VIEW



- NOTES:
- SIZE: 3'-0" X 3'-0"
  - 1. CURB MATERIALS
    - a. 0.090 ALUMINUM CURB
  - 2. CURB CAP MATERIALS
    - b. 0.090 ALUMINUM CURB CAP
  - 3. CURB LINER MATERIALS
    - c. 0.063 ALUMINUM CURB LINER
  - 4. CURB INSULATION THICKNESS AND MATERIALS
    - d. 2" POLYISOCYANURATE CURB INSULATION
  - 5. COVER MATERIALS
    - e. 0.090 ALUMINUM COVER
  - 6. COVER LINER MATERIALS
    - f. 0.063 ALUMINUM COVER LINER
  - 7. COVER INSULATION THICKNESS AND MATERIALS
    - g. 2" POLYISOCYANURATE COVER INSULATION
  - 8. COVER RATED FOR 70PSF LIVE LOAD
  - 9. COVER AND CURB ARE MILL FINISHED
  - 10. ZINC PLATED HARDWARE

DRAWN CDEWILDT	5/20/2019	HART & COOLEY INC. 5030 Corporate Exchange Blvd. SE Grand Rapids, MI. 49512 Ph: 800-624-8642	
CHECKED	<b>MILCOR</b>	TITLE	
QA	TOLERANCE UNLESS SPECIFIED	RD-3X3 EE 36X36 SINGLE LEAF ROOF HATCH	
MFG	.XXX ± 0.005"	SIZE	DWG NO
APPROVED	.XX ± 0.01"	D	3501-710-9EE
	FRACT. ± 1/16"	SCALE	REV A
	ANGLES ± 1'	SHEET 1 OF 1	