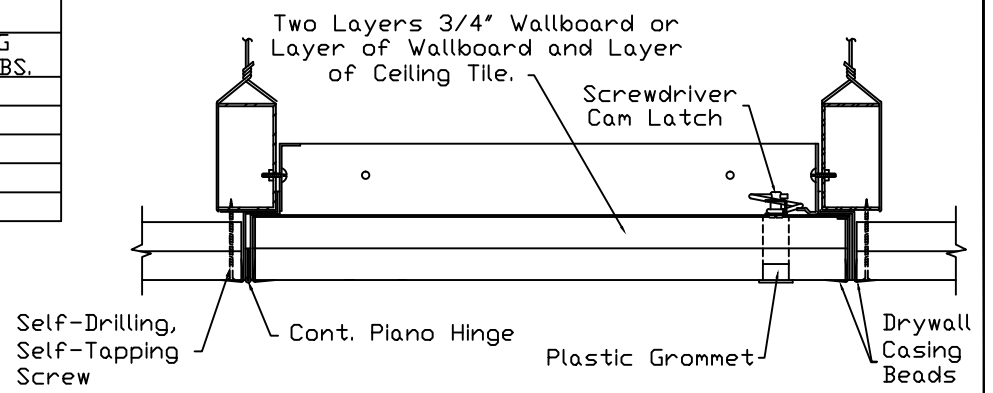
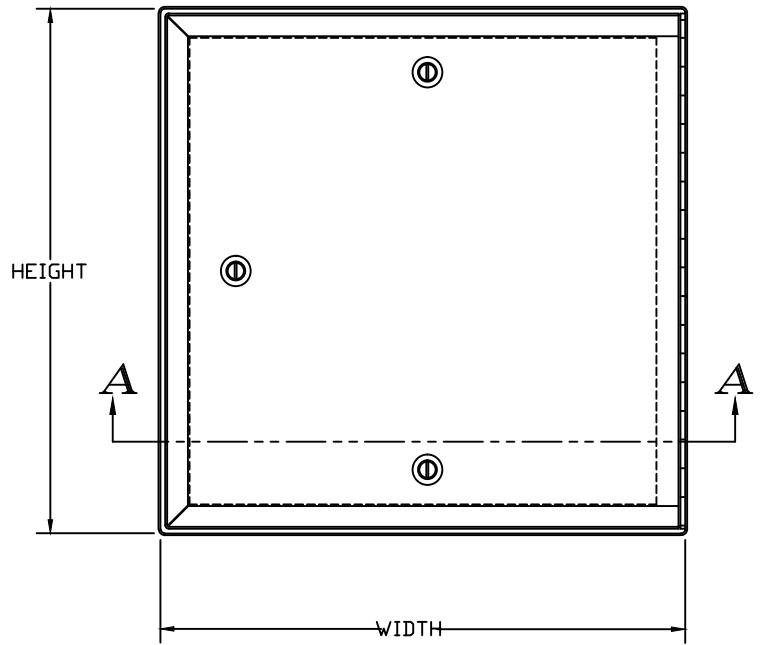


STANDARD PART #'S				
DOOR SIZE (W X H)	WALL OPENING	PART NUMBER	# OF CAMS	SHIPPING WEIGHT LBS.
12" X 12"	10.5" X 10.5"	3204012	1	8
12" X 24"	10.5" X 22.5"	3204014	2	11
18" X 18"	16.5" X 16.5"	3204018	2	14
24" X 24"	22.5" X 22.5"	3204024	2	20
24" X 36"	22.5" X 34.5"	3204036	3	28



Installation Detail

FINISH: WHITE POWDER COAT

VERIFICATION AND APPROVAL OF GENERAL ARRANGEMENT AND OVERALL DIMENSIONS OF THIS DOCUMENT ARE REQUIRED BEFORE THE ORDER IS ENTERED FOR MANUFACTURING.

APPROVAL SIGNATURE _____

TITLE HELD _____

DATE OF APPROVAL _____

ORDER WILL NOT BE RELEASED FOR FABRICATION UNTIL SIGNED COPY IS RECEIVED.

THIS DRAWING IS THE PROPERTY OF COMMERCIAL PRODUCTS GROUP AND CONTAINS PROPRIETARY INFORMATION. NOT TO BE REPRODUCED OR REDISTRIBUTED WITHOUT CPG'S WRITTEN PRIOR CONSENT.

MILCOR®

5030 Corporate Exchange Blvd. SE, Grand Rapids, MI 49512
 PH.: 800-624-8642 FAX: 855-549-2674 www.milcorinc.com

RECESSED FIRE-RESISTANCE ACOUSTICAL TILE DOOR for SUSPENDED CEILING

ATR ACCESS DOOR SUBMITTAL

PART NO.	SIZE	COVER	FRAME
SUBMITTAL		18 GA.	16 GA.

DATE 08/01/2018 DRAWN CD

REV JOB NO.

SHEET 1 of 1

