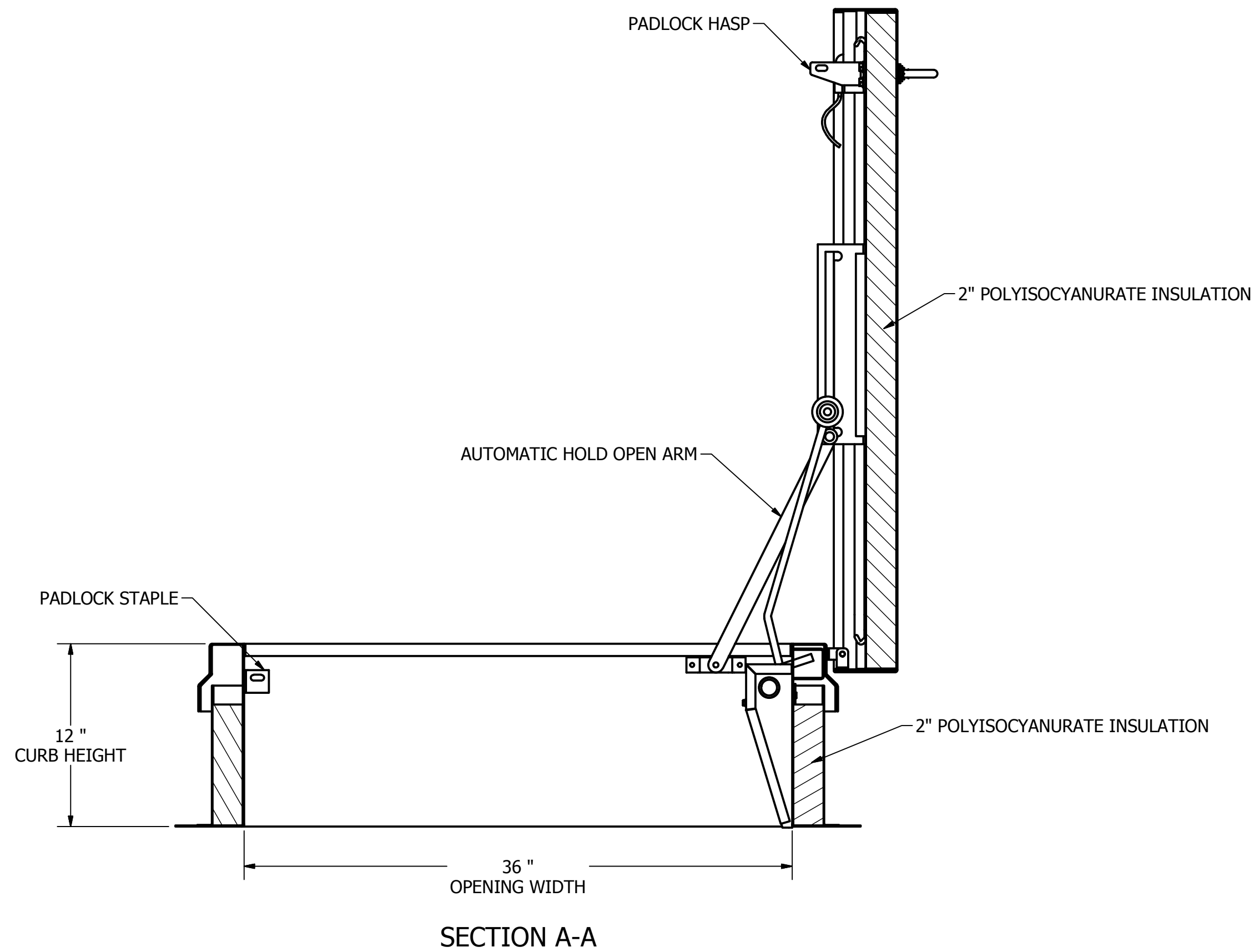
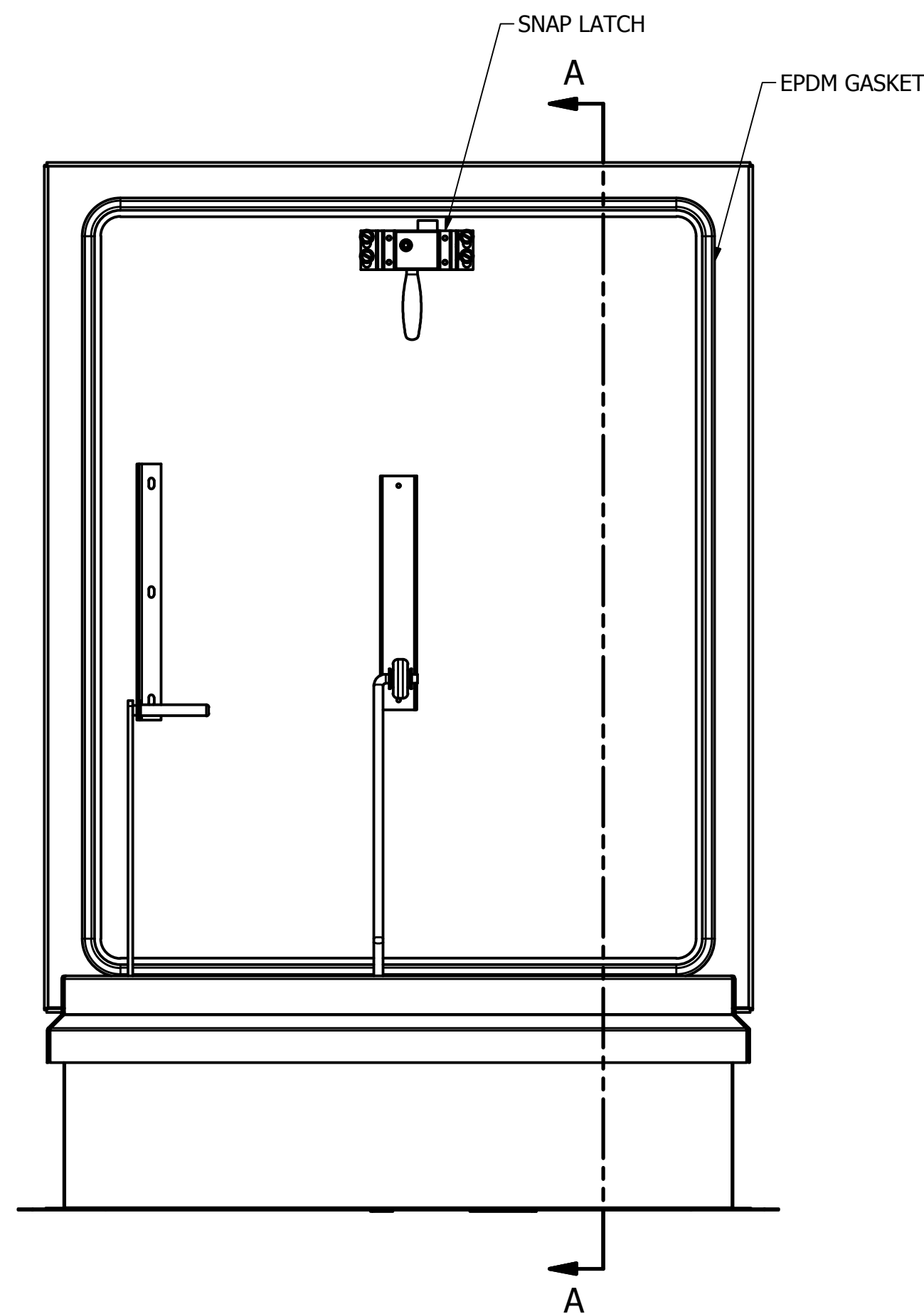


- NOTES:  
 SIZE: M-3'0"X2'6"  
 1) 70psf COVER LIVE LOAD RATING  
 2) HATCH PAINTED WHITE  
 3) MATERIALS:  
 14ga GALVANIZED, COVER  
 14ga GALVANIZED, CURB  
 14ga GALVANIZED, COUNTER FLASHING  
 22ga GALVANIZED, COVER LINER  
 22ga GALVANIZED, CURB LINER



ORDER WILL NOT BE RELEASED FOR FABRICATION UNTIL SIGNED COPY IS RECEIVED.

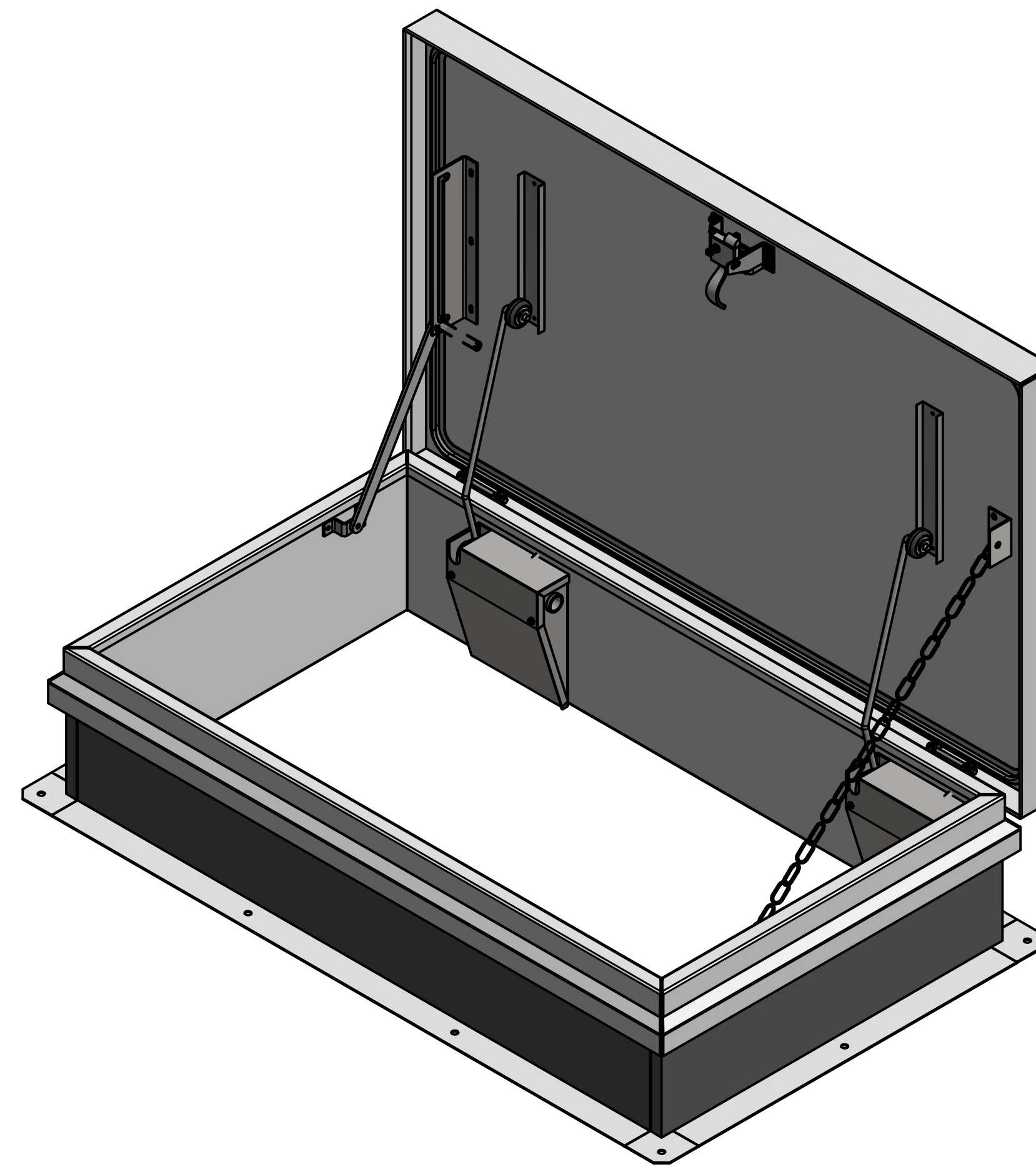
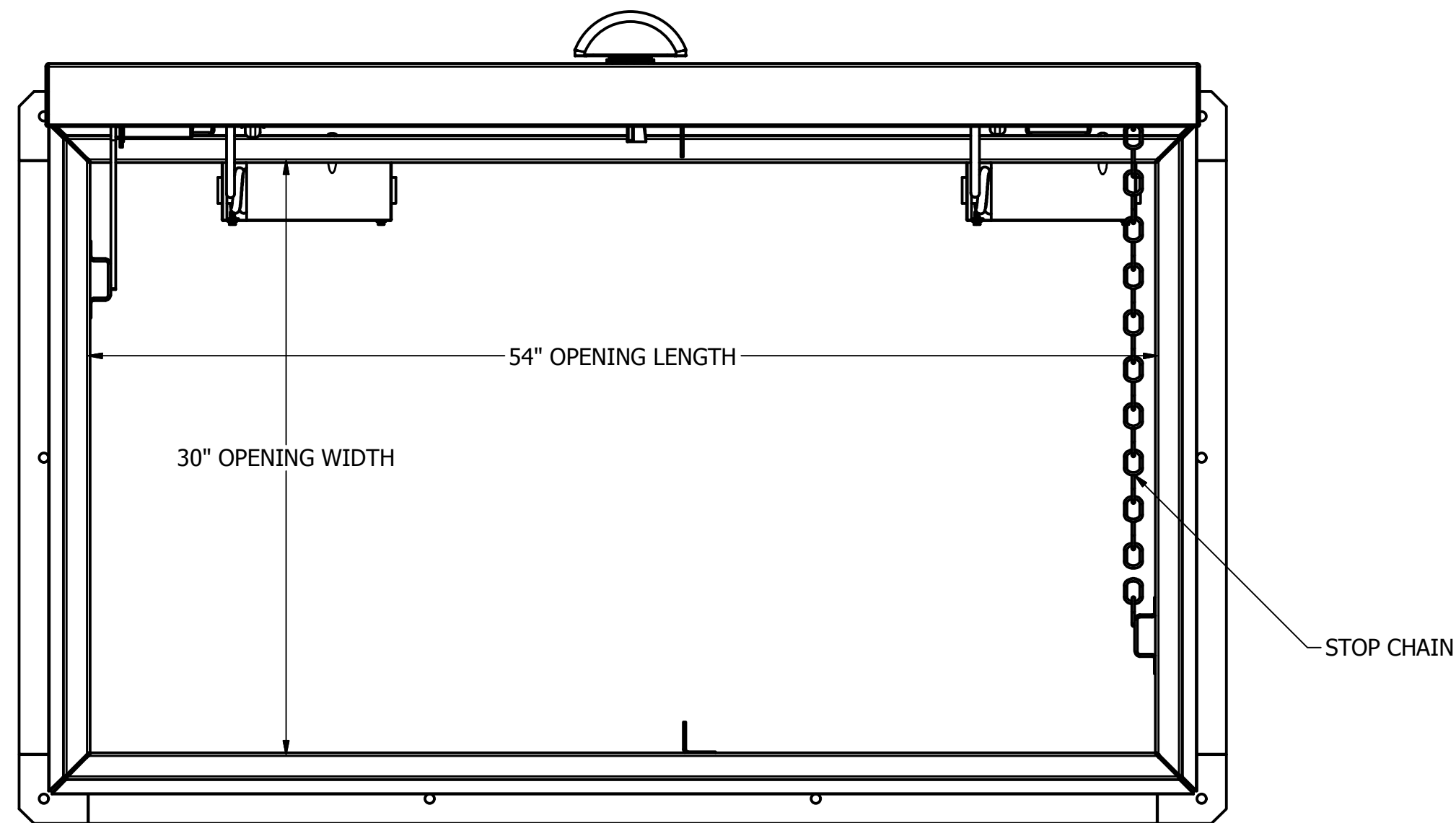
VERIFICATION AND APPROVAL OF GENERAL ARRANGEMENT AND OVERALL DIMENSIONS FOR THIS DOCUMENT ARE REQUIRED BEFORE THE ORDER IS ENTERED FOR MANUFACTURING.

APPROVAL SIGNATURE \_\_\_\_\_

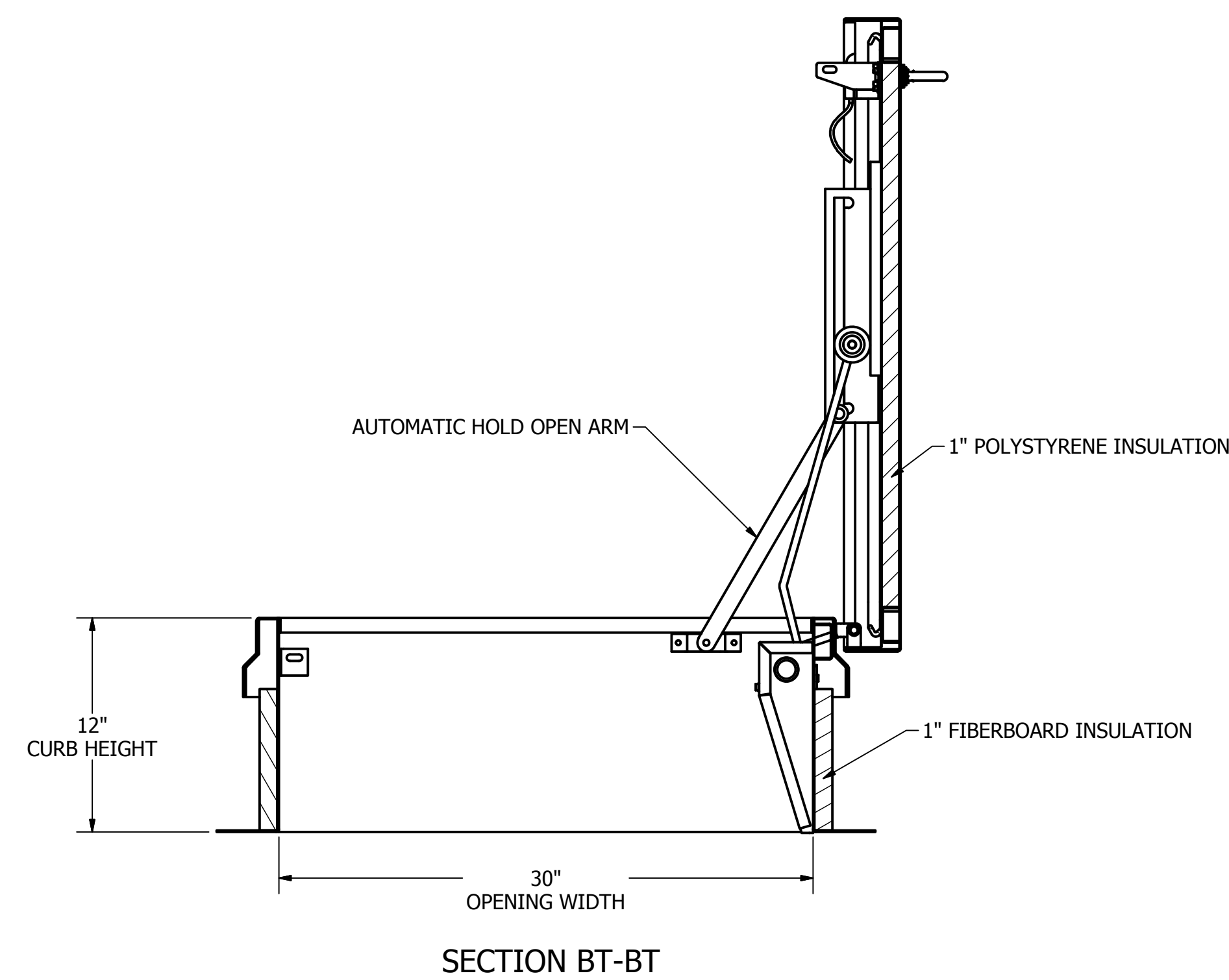
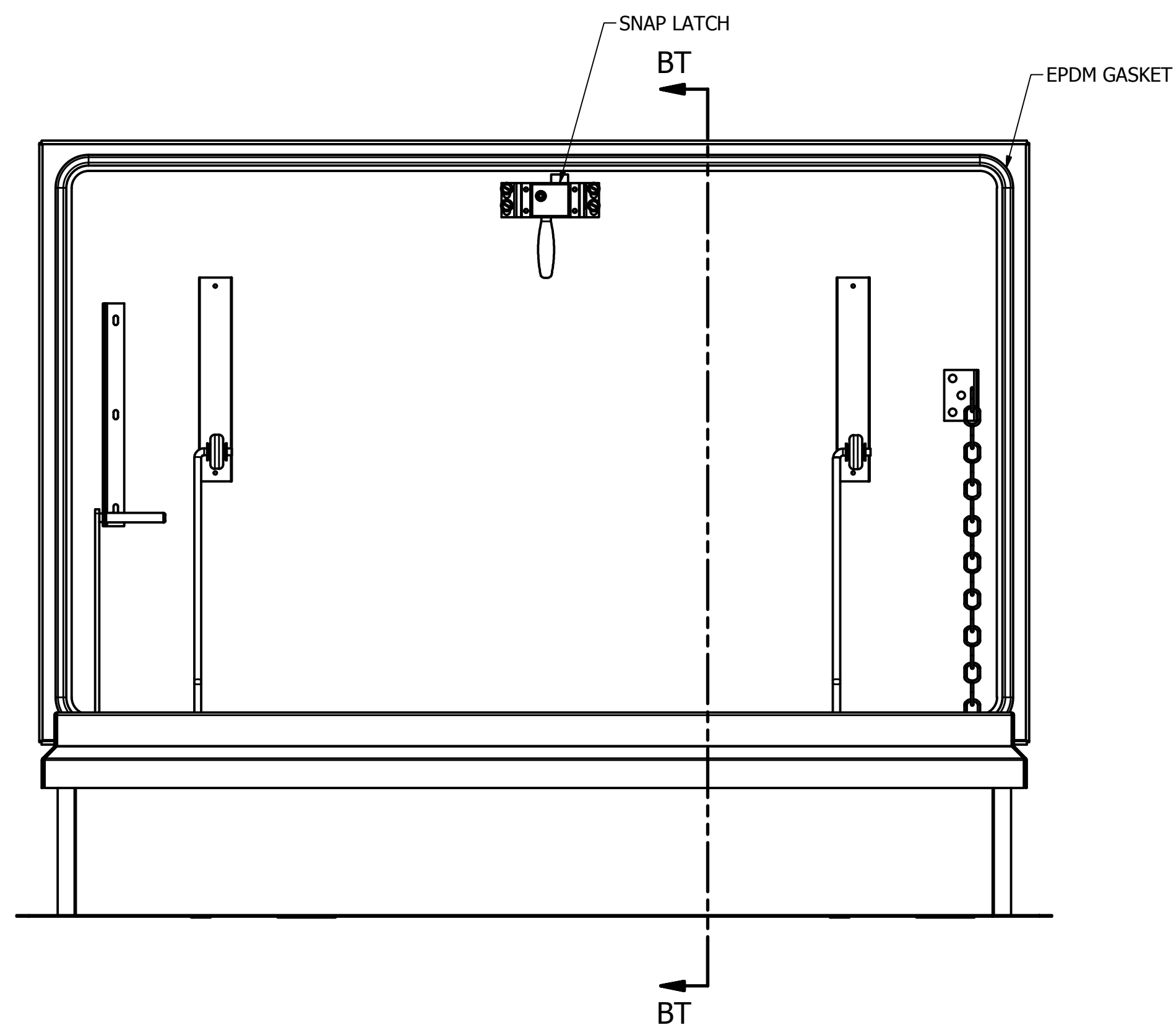
TITLE HELD \_\_\_\_\_

DATE OF APPROVAL \_\_\_\_\_

DRAWN	CMD	2/27/2015	Hart & Cooley Inc.		
CHECKED	<b>MILCOR</b>		5030 Corporate Exchange Blvd. SE Grand Rapids, MI. 49512 Ph: 800-624-8642		
QA	TOLERANCE UNLESS SPECIFIED		TITLE		
MFG	.XXX ± 0.005"		M-1 EE SINGLE LEAF ROOF HATCH		
APPROVED	.XX ± 0.01"		SIZE	DWG NO	REV
	FRACT. ± 1/16"		D	3501-501-9EE	--
	ANGLES ± 1'		SCALE	SHEET 1 OF 1	



- NOTES:
- SIZE: M-2'6"X4'6"
- 1) 70psf COVER LIVE LOAD RATING
  - 2) HATCH PAINTED WHITE
  - 3) MATERIALS:
    - 14ga GALVANIZED, COVER
    - 14ga GALVANIZED, CURB
    - 14ga GALVANIZED, COUNTER FLASHING
    - 22ga GALVANIZED, COVER LINER



ORDER WILL NOT BE RELEASED FOR FABRICATION UNTIL SIGNED COPY IS RECEIVED.

VERIFICATION AND APPROVAL OF GENERAL ARRANGEMENT AND OVERALL DIMENSIONS FOR THIS DOCUMENT ARE REQUIRED BEFORE THE ORDER IS ENTERED FOR MANUFACTURING.

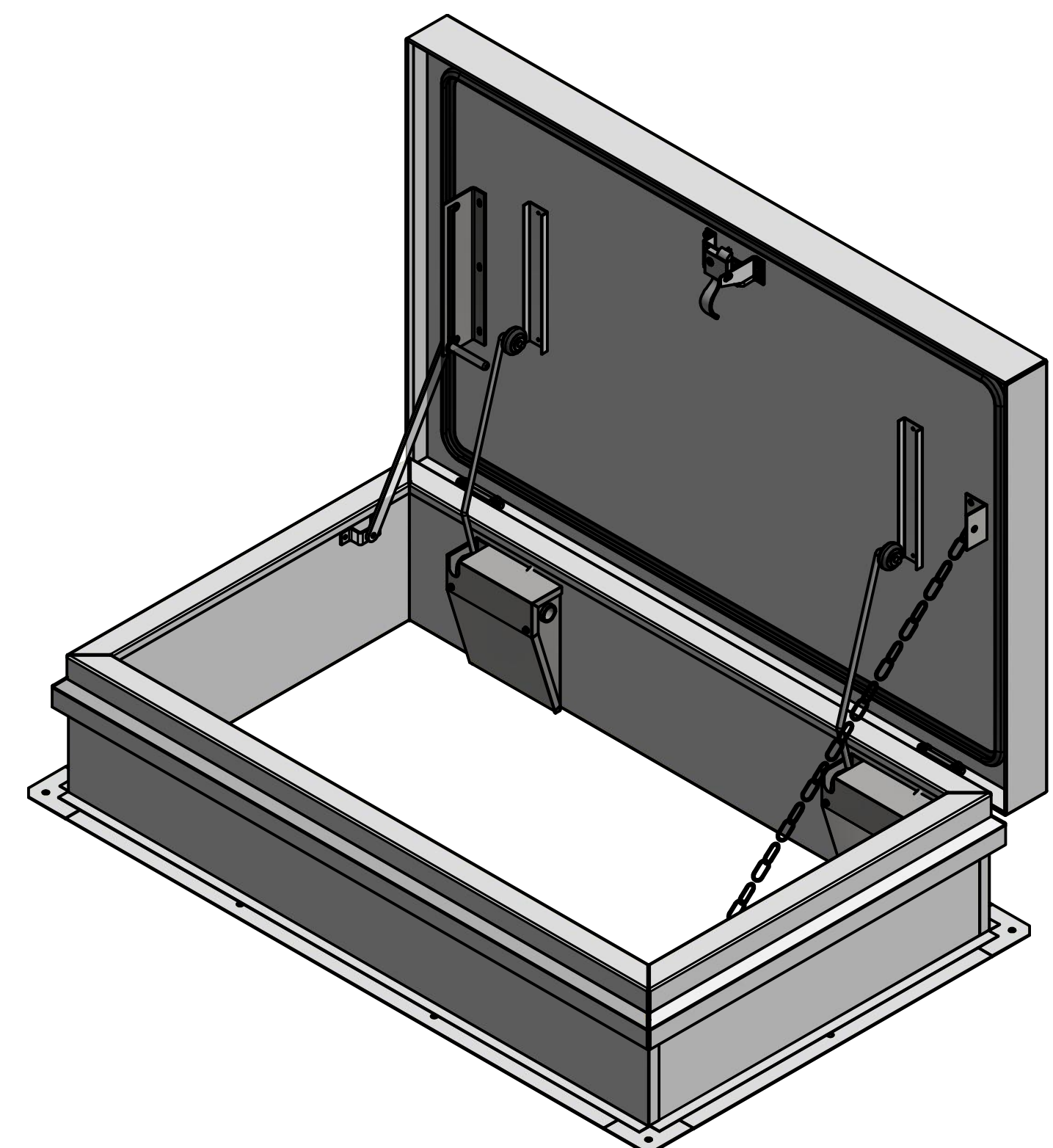
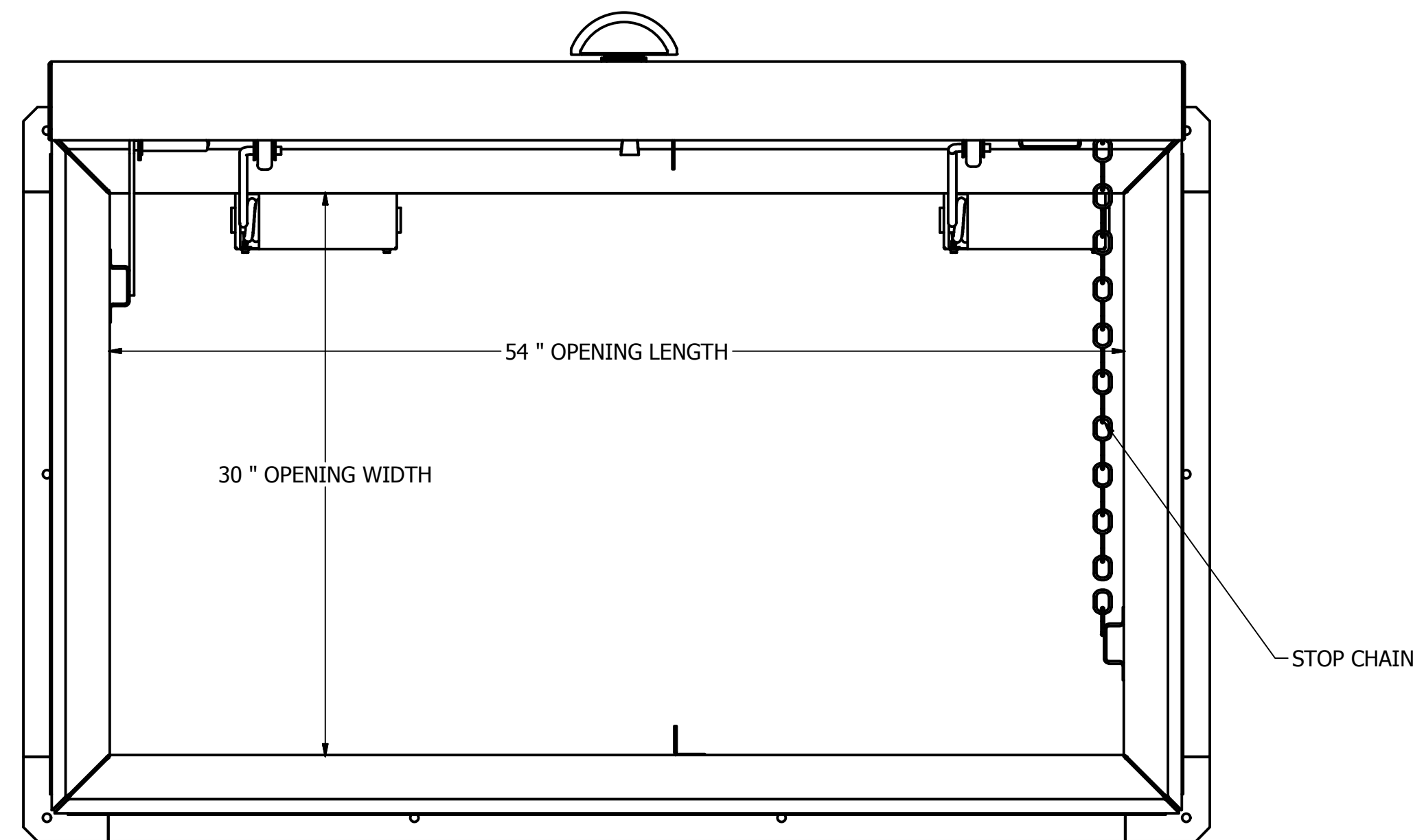
APPROVAL SIGNATURE \_\_\_\_\_

TITLE HELD \_\_\_\_\_

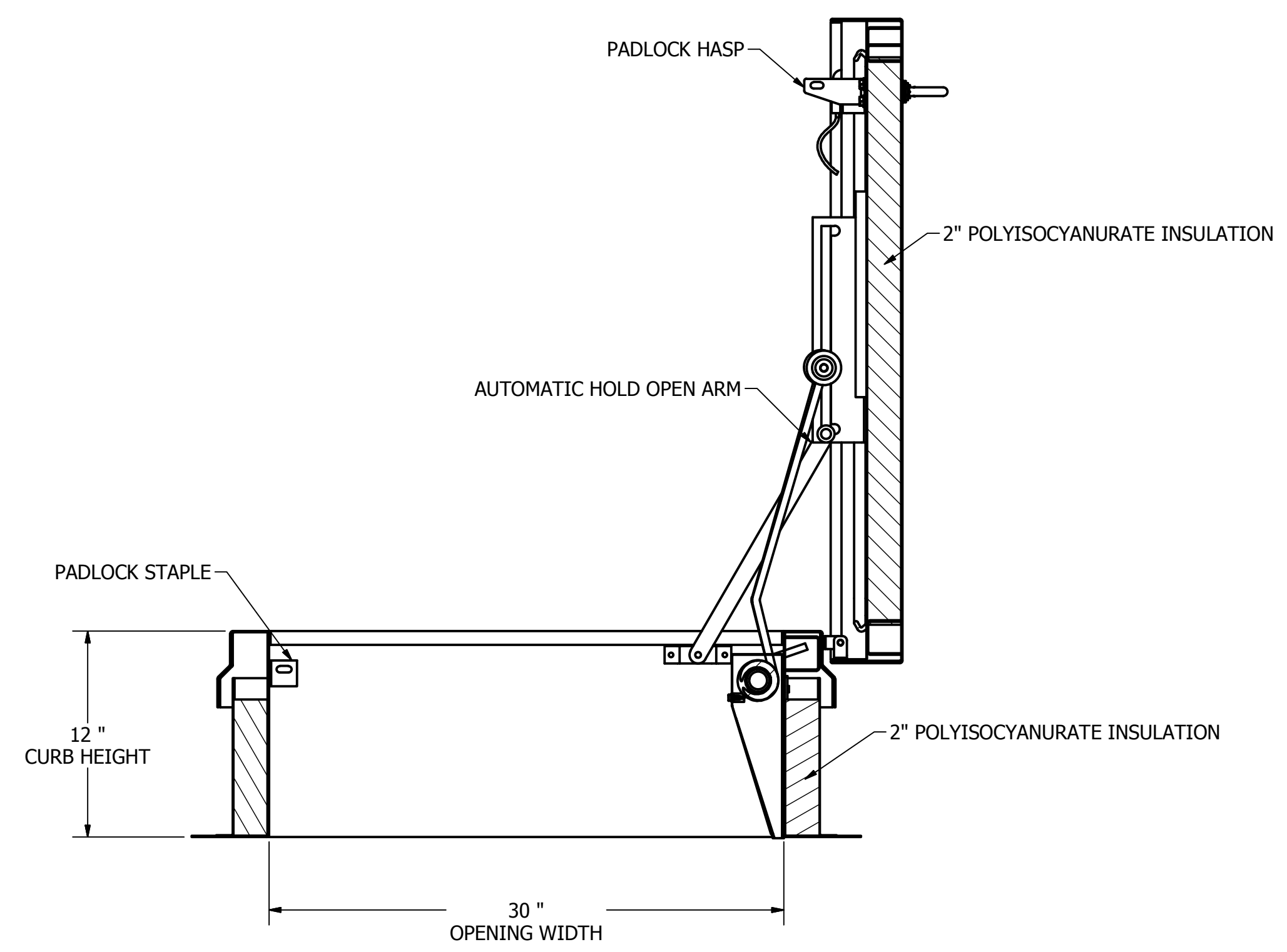
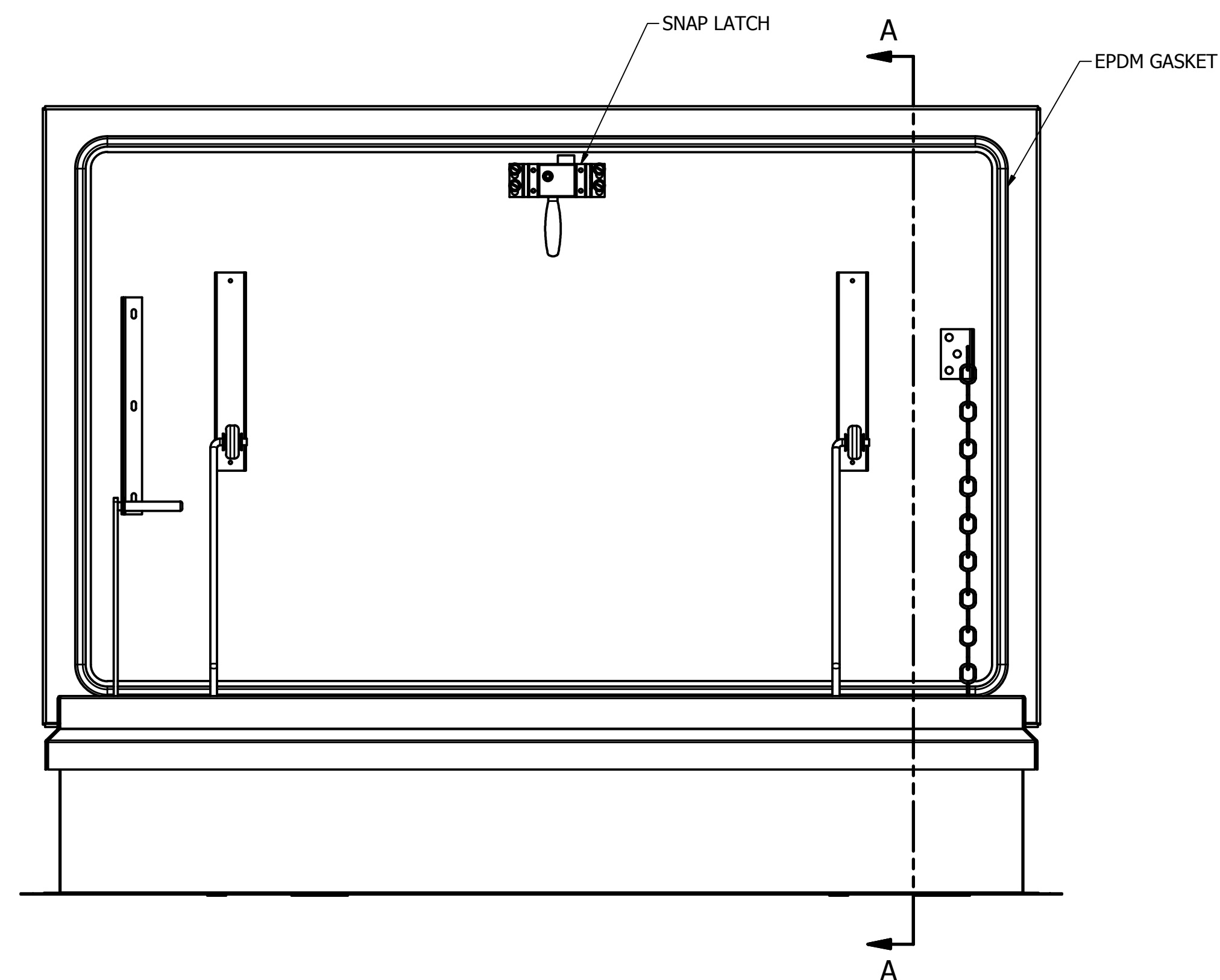
DATE OF APPROVAL \_\_\_\_\_

DRAWN	CMD	2/23/2015	Hart & Cooley Inc.		
CHECKED	<b>MILCOR</b>		5030 Corporate Exchange Blvd. SE Grand Rapids, MI. 49512 Ph: 800-624-8642		
QA	TOLERANCE UNLESS SPECIFIED		TITLE		
MFG	.XXX	± 0.005"	M-2 SINGLE LEAF ROOF HATCH		
APPROVED	.XX	± 0.01"	SIZE	DWG NO	REV
	FRACT.	± 1/16"	D	3501-511-9	--
	ANGLES	± 1'	SCALE	SHEET 1 OF 1	





- NOTES:
- SIZE: M-2'6"X4'6"
- 1) 70psf COVER LIVE LOAD RATING
  - 2) HATCH PAINTED WHITE
  - 3) MATERIALS:
    - 14ga GALVANIZED, COVER
    - 14ga GALVANIZED, CURB
    - 14ga GALVANIZED, COUNTER FLASHING
    - 22ga GALVANIZED, COVER LINER
    - 22ga GALVANIZED, CURB LINER



ORDER WILL NOT BE RELEASED FOR FABRICATION UNTIL SIGNED COPY IS RECEIVED.

VERIFICATION AND APPROVAL OF GENERAL ARRANGEMENT AND OVERALL DIMENSIONS FOR THIS DOCUMENT ARE REQUIRED BEFORE THE ORDER IS ENTERED FOR MANUFACTURING.

APPROVAL SIGNATURE \_\_\_\_\_

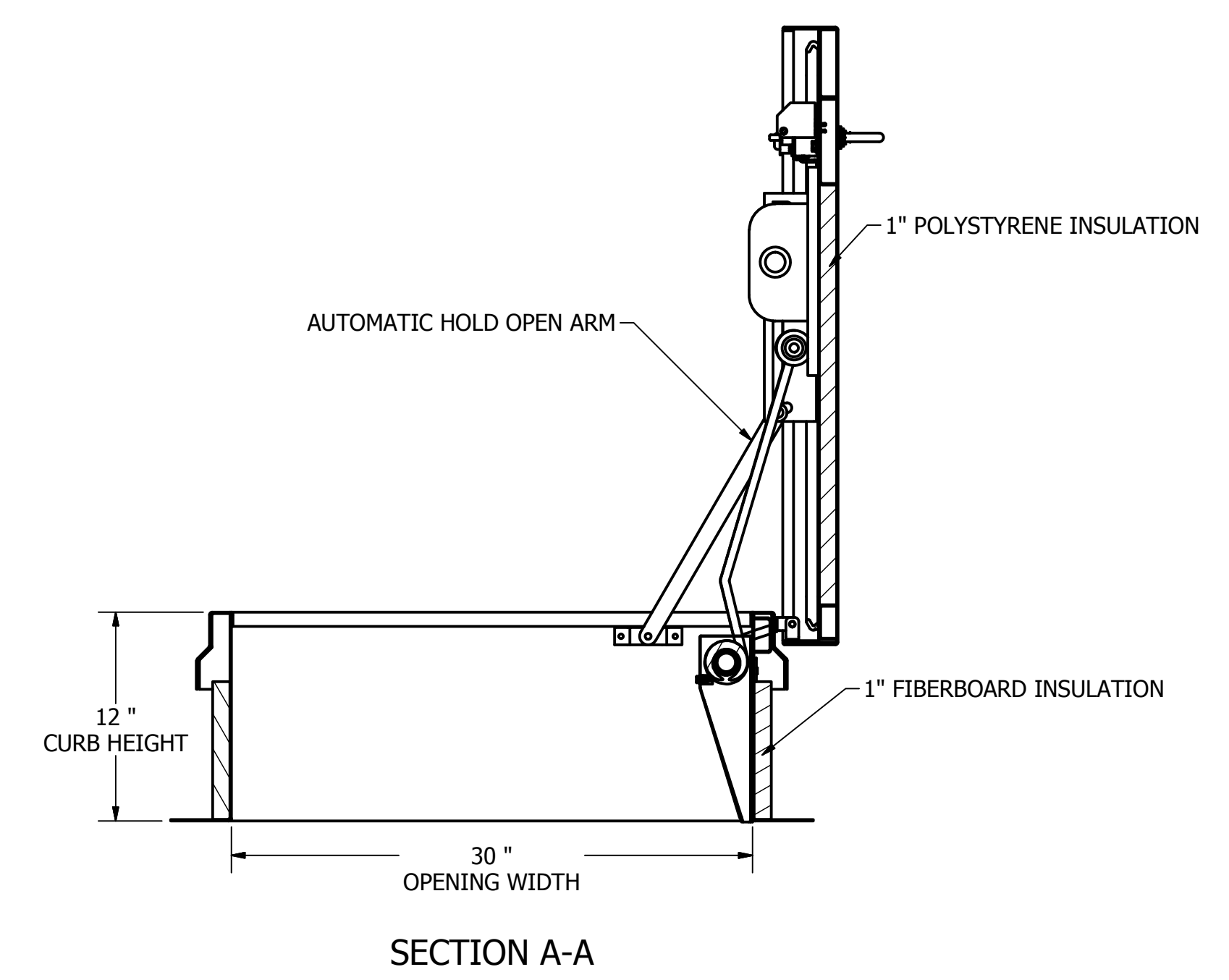
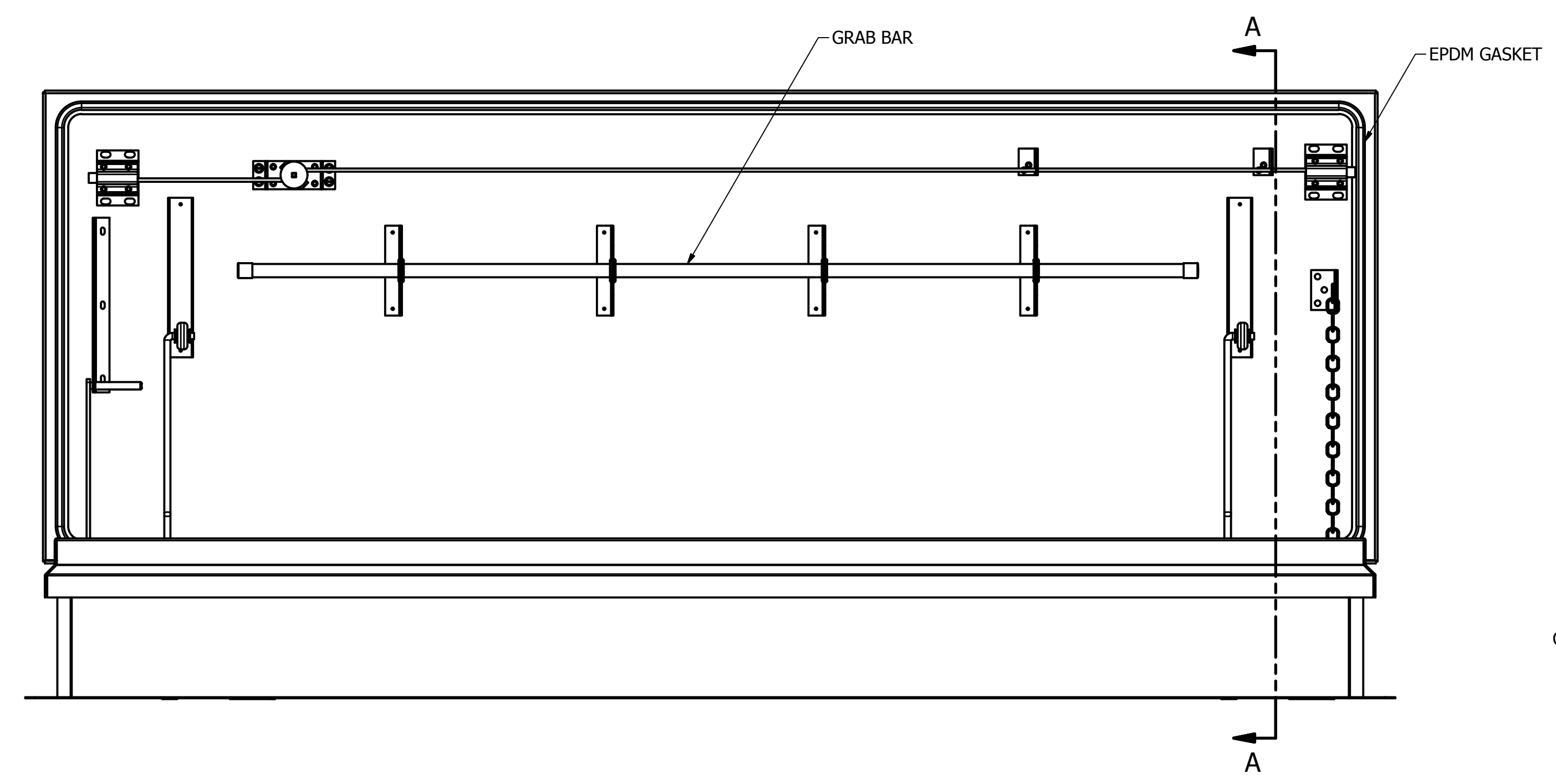
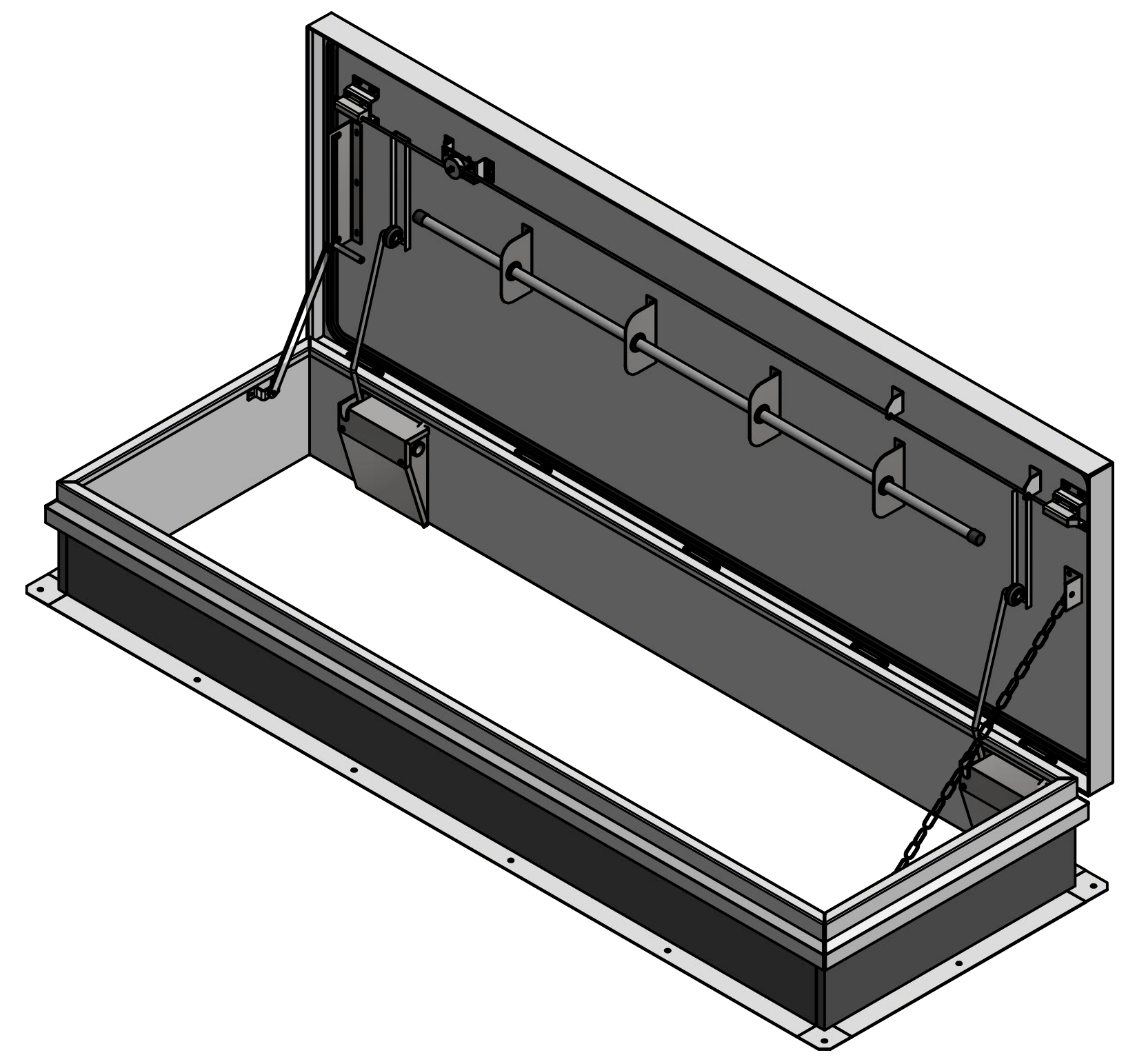
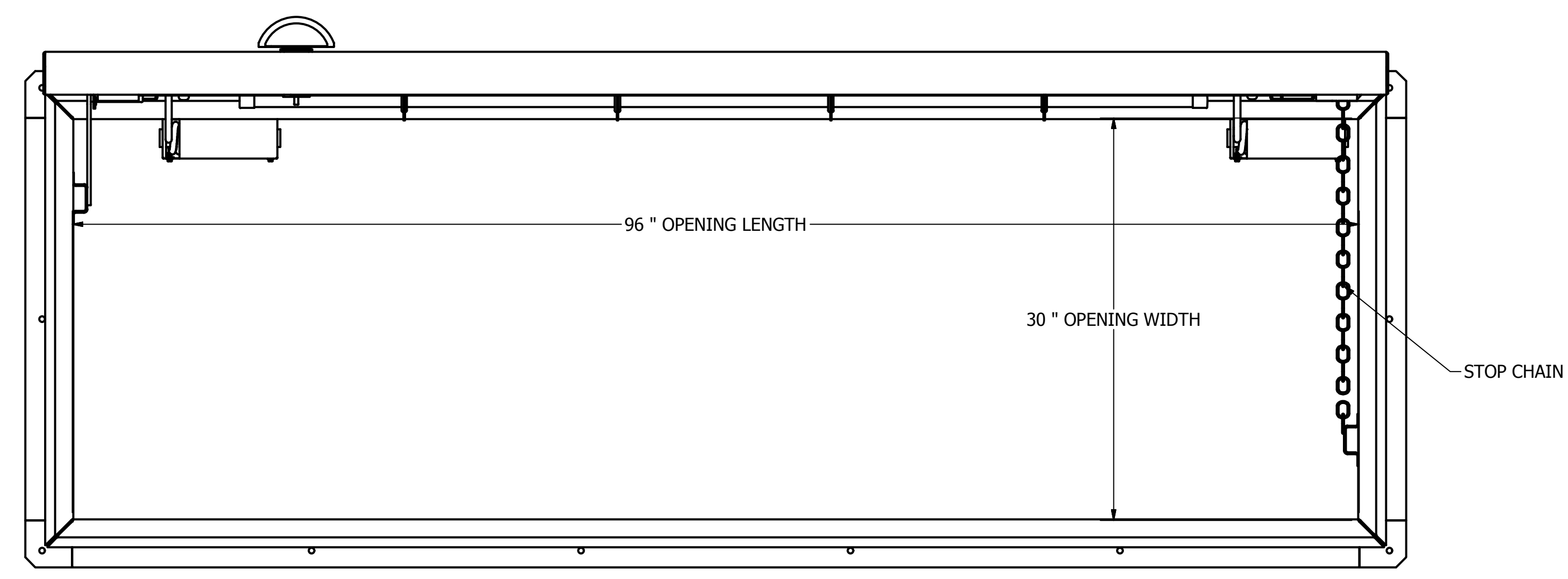
TITLE HELD \_\_\_\_\_

DATE OF APPROVAL \_\_\_\_\_

DRAWN	CMD	2/27/2015	Hart & Cooley Inc.		
CHECKED			5030 Corporate Exchange Blvd. SE Grand Rapids, MI. 49512 Ph: 800-624-8642		
QA			TITLE		
MFG			M-2 EE SINGLE LEAF ROOF HATCH		
APPROVED			SIZE	DWG NO	REV
			D	3501-511-9EE	--
			SCALE	SHEET 1 OF 1	

8 7 6 5 4 3 2 1

NOTES:  
 SIZE: M-2'6"X8'0"  
 1) 70psf COVER LIVE LOAD RATING  
 2) HATCH PAINTED WHITE  
 3) MATERIALS:  
 14ga GALVANIZED, COVER  
 14ga GALVANIZED, CURB  
 14ga GALVANIZED, COUNTER FLASHING  
 22ga GALVANIZED, COVER LINER



ORDER WILL NOT BE RELEASED FOR FABRICATION UNTIL SIGNED COPY IS RECEIVED.

VERIFICATION AND APPROVAL OF GENERAL ARRANGEMENT AND OVERALL DIMENSIONS FOR THIS DOCUMENT ARE REQUIRED BEFORE THE ORDER IS ENTERED FOR MANUFACTURING.

APPROVAL SIGNATURE \_\_\_\_\_

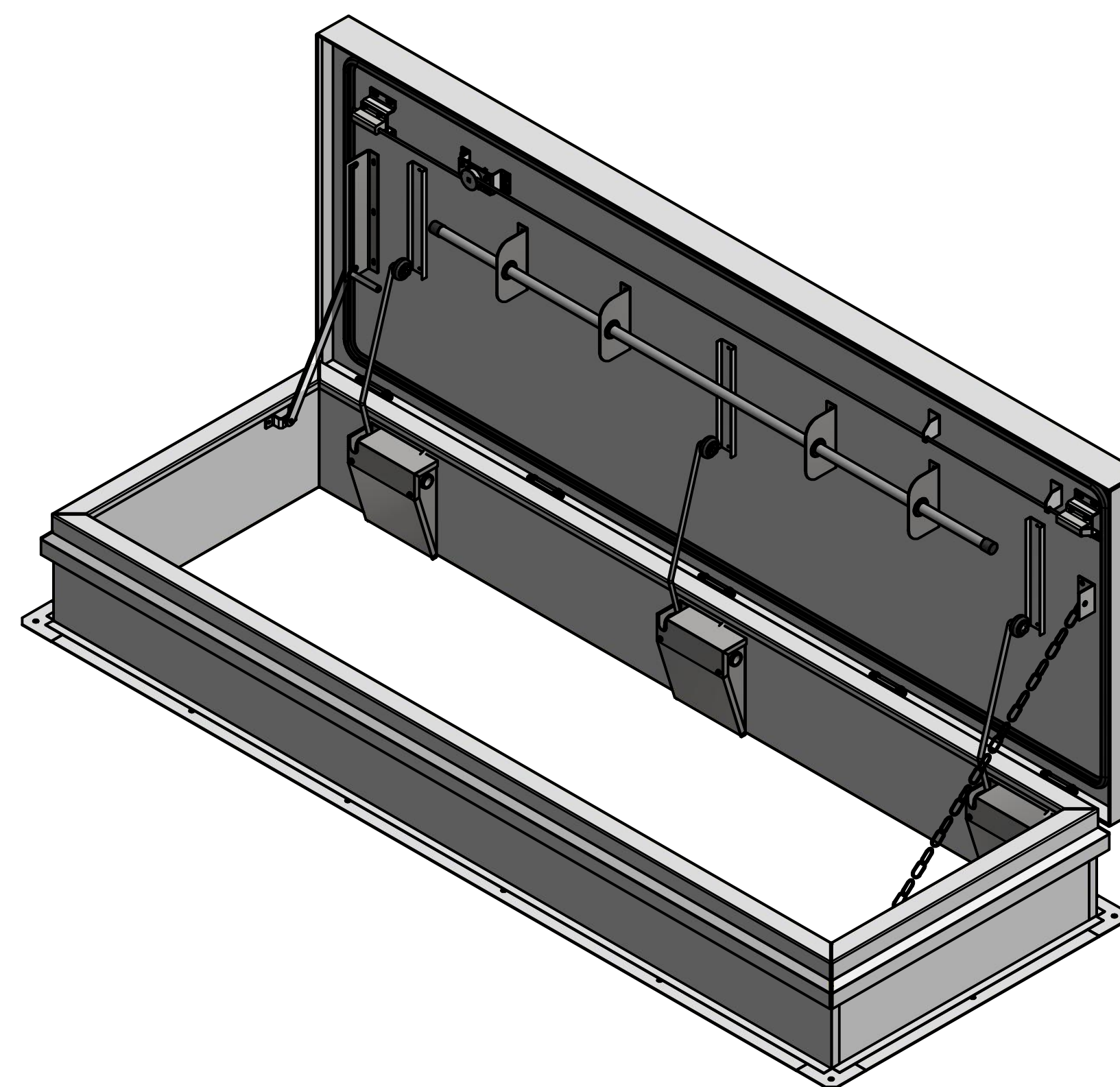
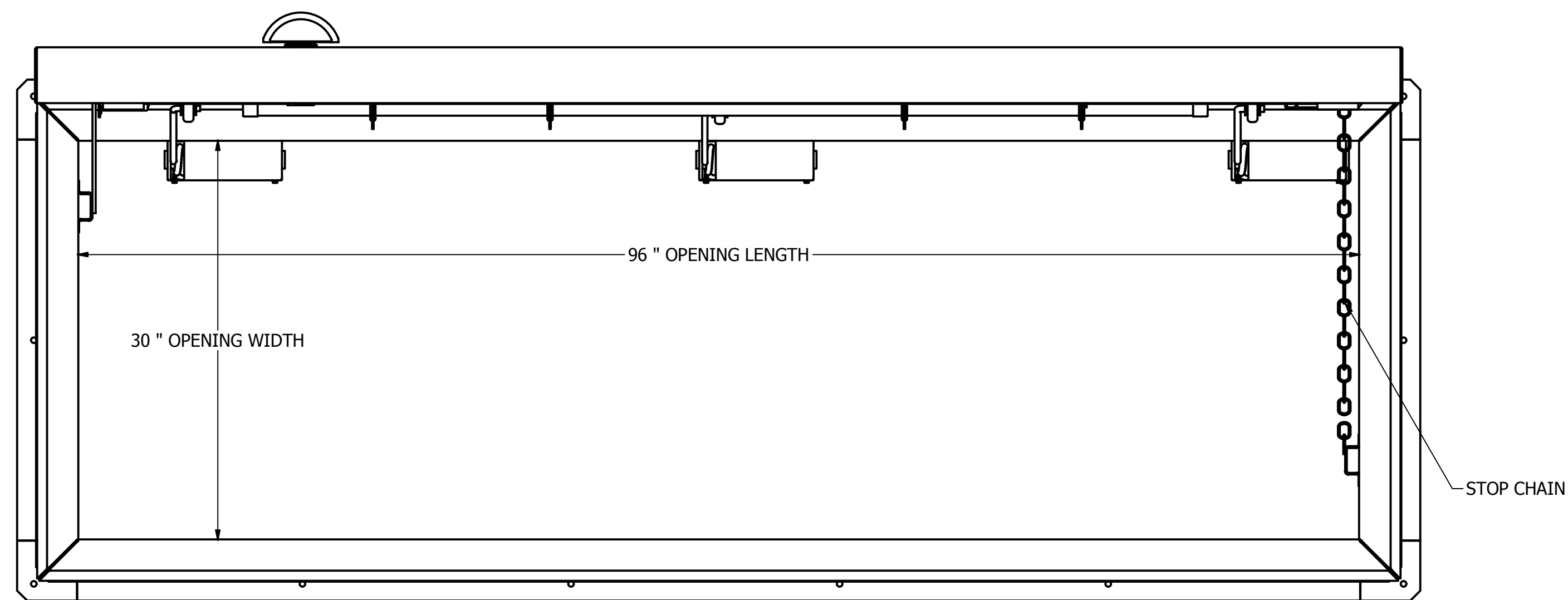
TITLE HELD \_\_\_\_\_

DATE OF APPROVAL \_\_\_\_\_

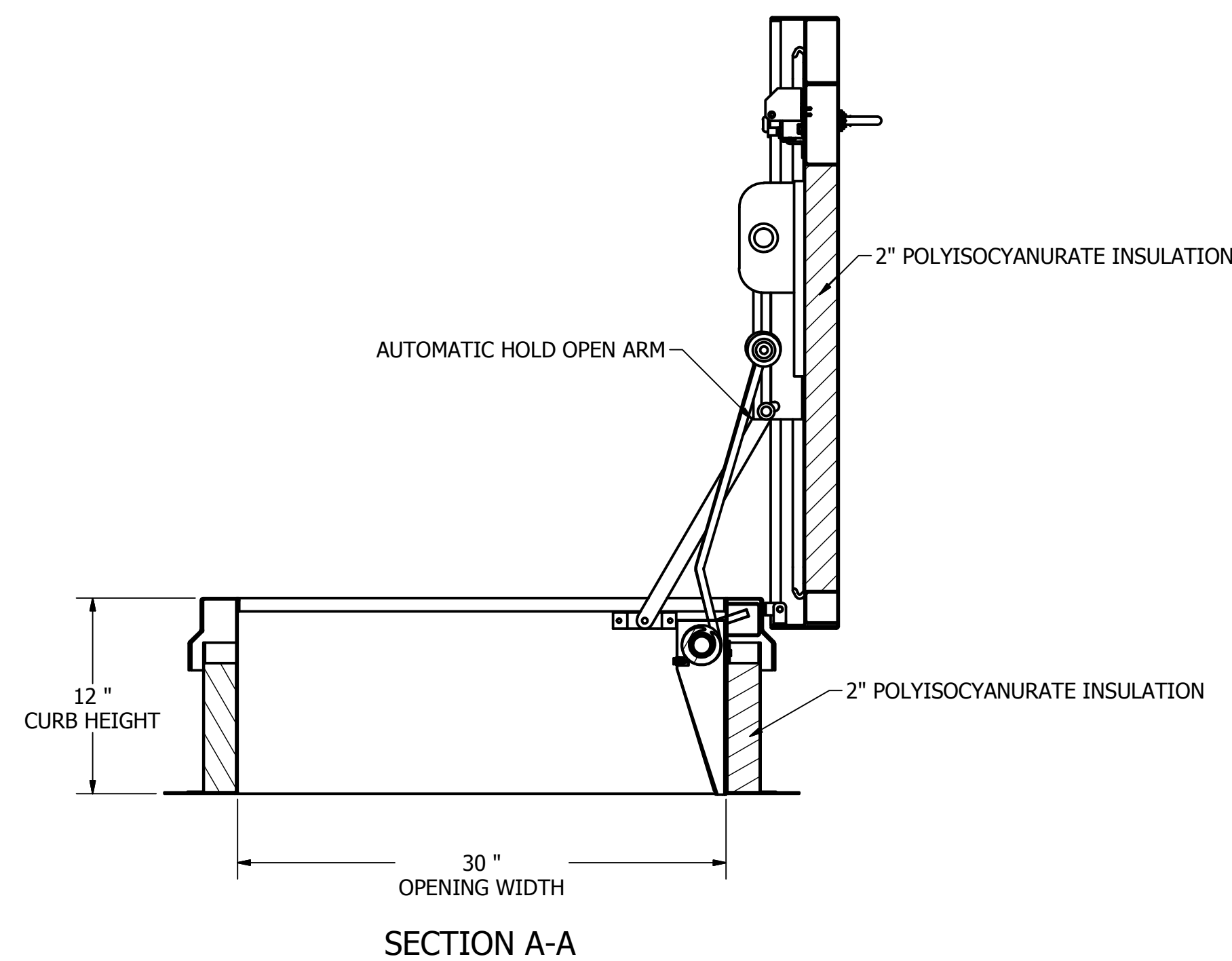
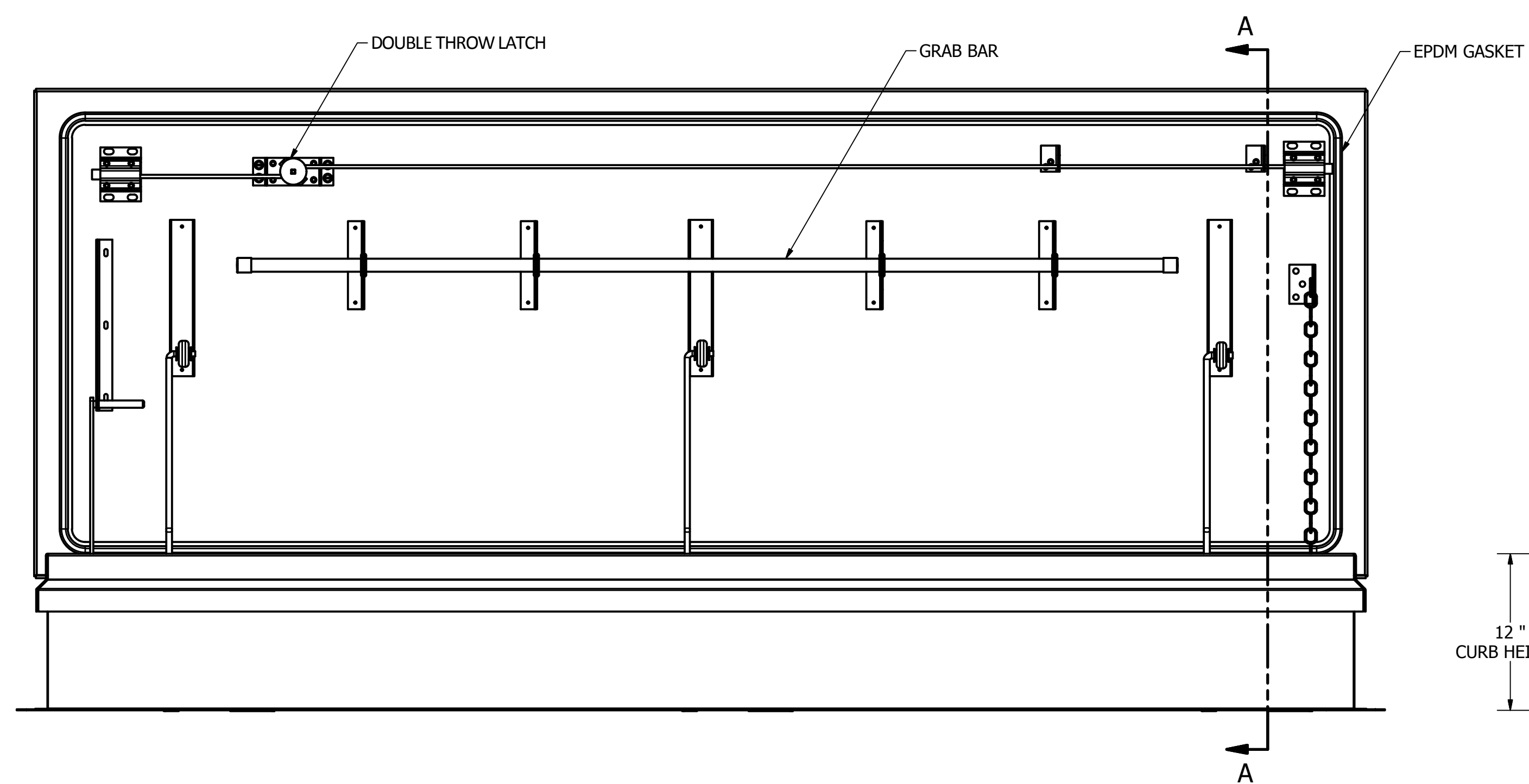
DRAWN	CMD	2/23/2015	Hart & Cooley Inc.		
CHECKED	<b>MILCOR</b>		5030 Corporate Exchange Blvd. SE Grand Rapids, MI. 49512 Ph: 800-624-8642		
QA	TOLERANCE UNLESS SPECIFIED		TITLE		
MFG	.XXX ± 0.005"		M-3 SINGLE LEAF ROOF HATCH		
APPROVED	.XX ± 0.01"		SIZE	DWG NO	REV
	FRACT. ± 1/16"		D	3501-512-9	--
	ANGLES ± 1'		SCALE	SHEET 1 OF 1	

8 7 6 5 4 3 2 1





- NOTES:
- SIZE: M-2'6"X8'0"
- 1) 70psf COVER LIVE LOAD RATING
  - 2) HATCH PAINTED WHITE
  - 3) MATERIALS:
    - 14ga GALVANIZED, COVER
    - 14ga GALVANIZED, CURB
    - 14ga GALVANIZED, COUNTER FLASHING
    - 22ga GALVANIZED, COVER LINER
    - 22ga GALVANIZED, CURB LINER



ORDER WILL NOT BE RELEASED FOR FABRICATION UNTIL SIGNED COPY IS RECEIVED.

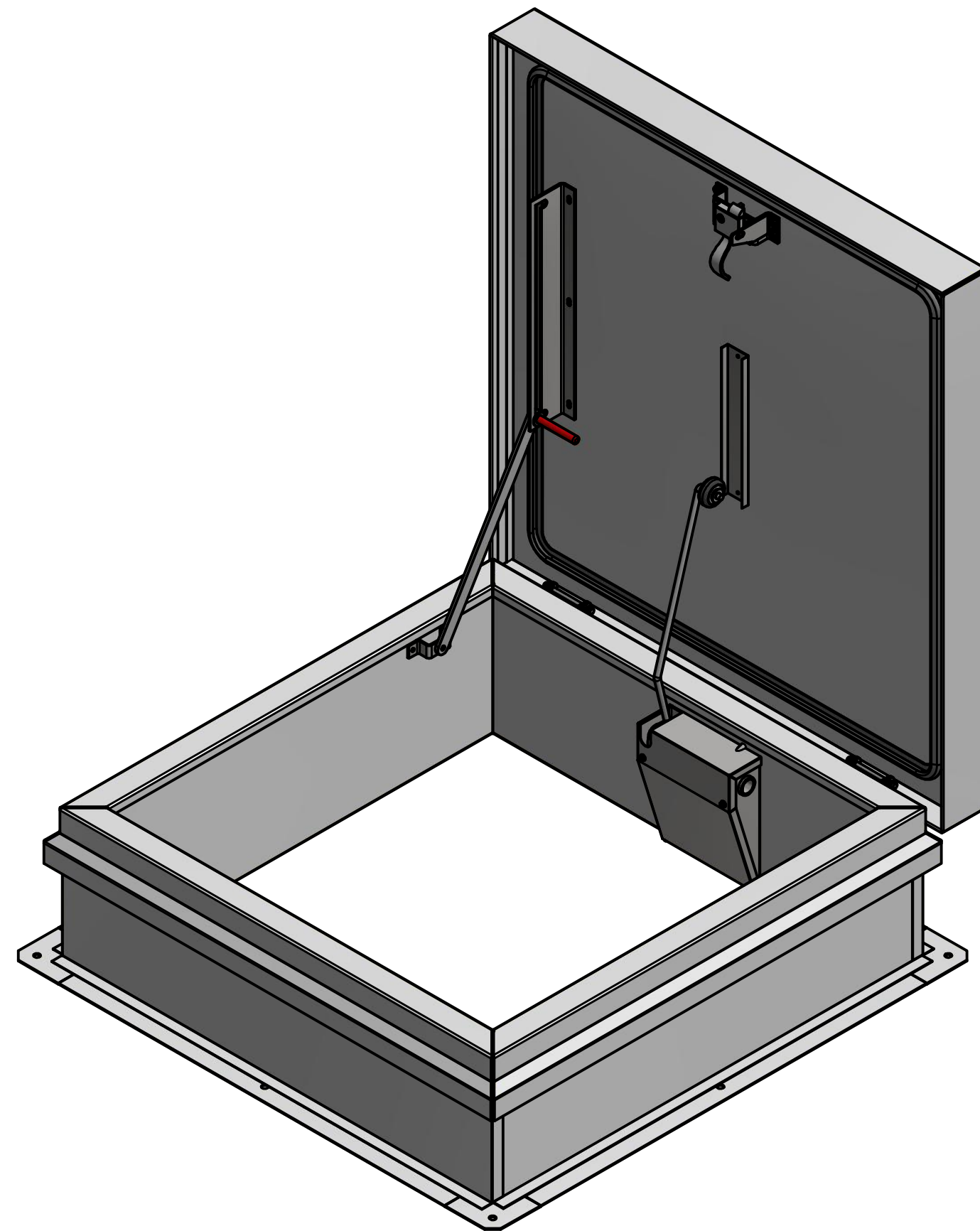
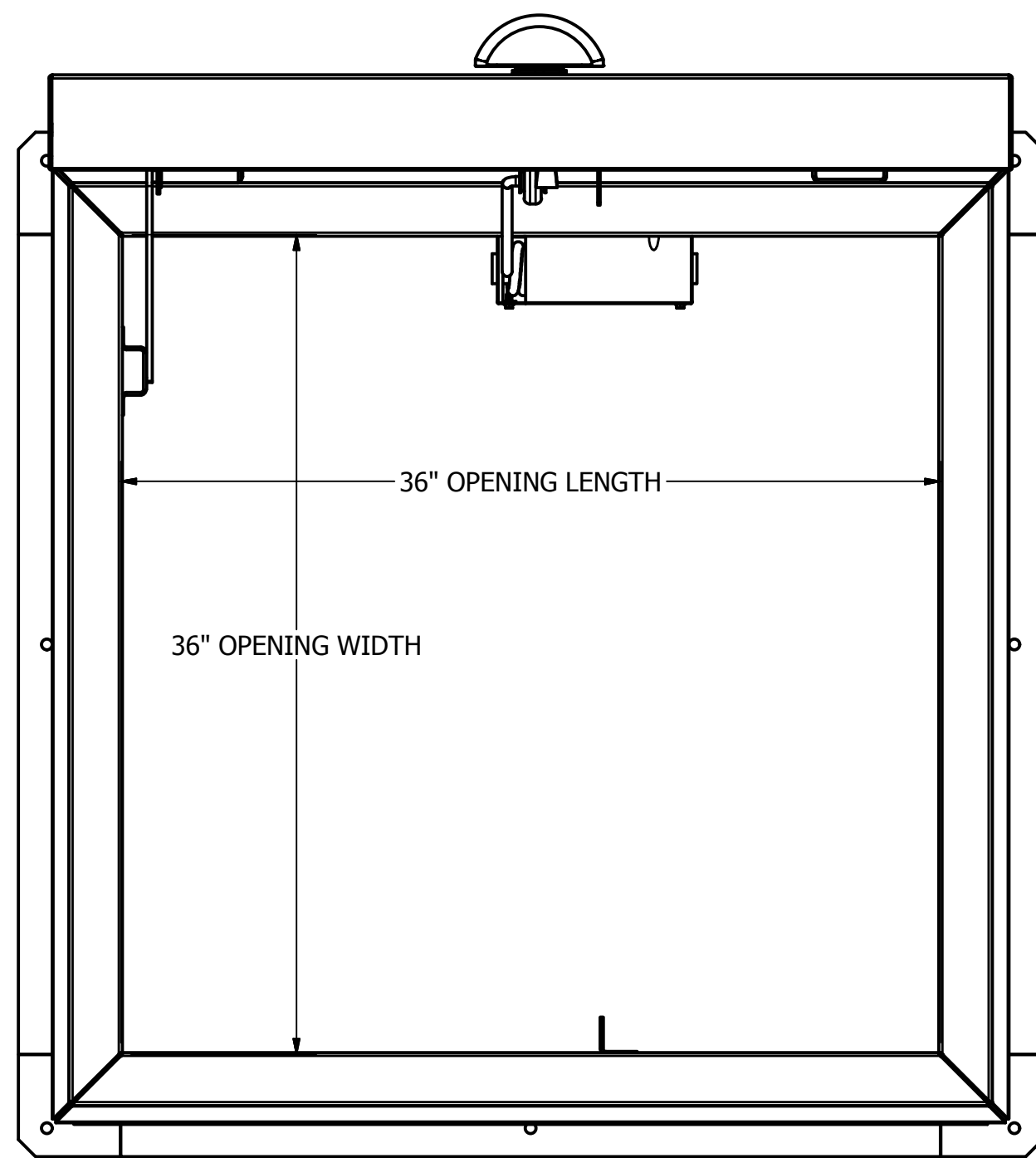
VERIFICATION AND APPROVAL OF GENERAL ARRANGEMENT AND OVERALL DIMENSIONS FOR THIS DOCUMENT ARE REQUIRED BEFORE THE ORDER IS ENTERED FOR MANUFACTURING.

APPROVAL SIGNATURE \_\_\_\_\_

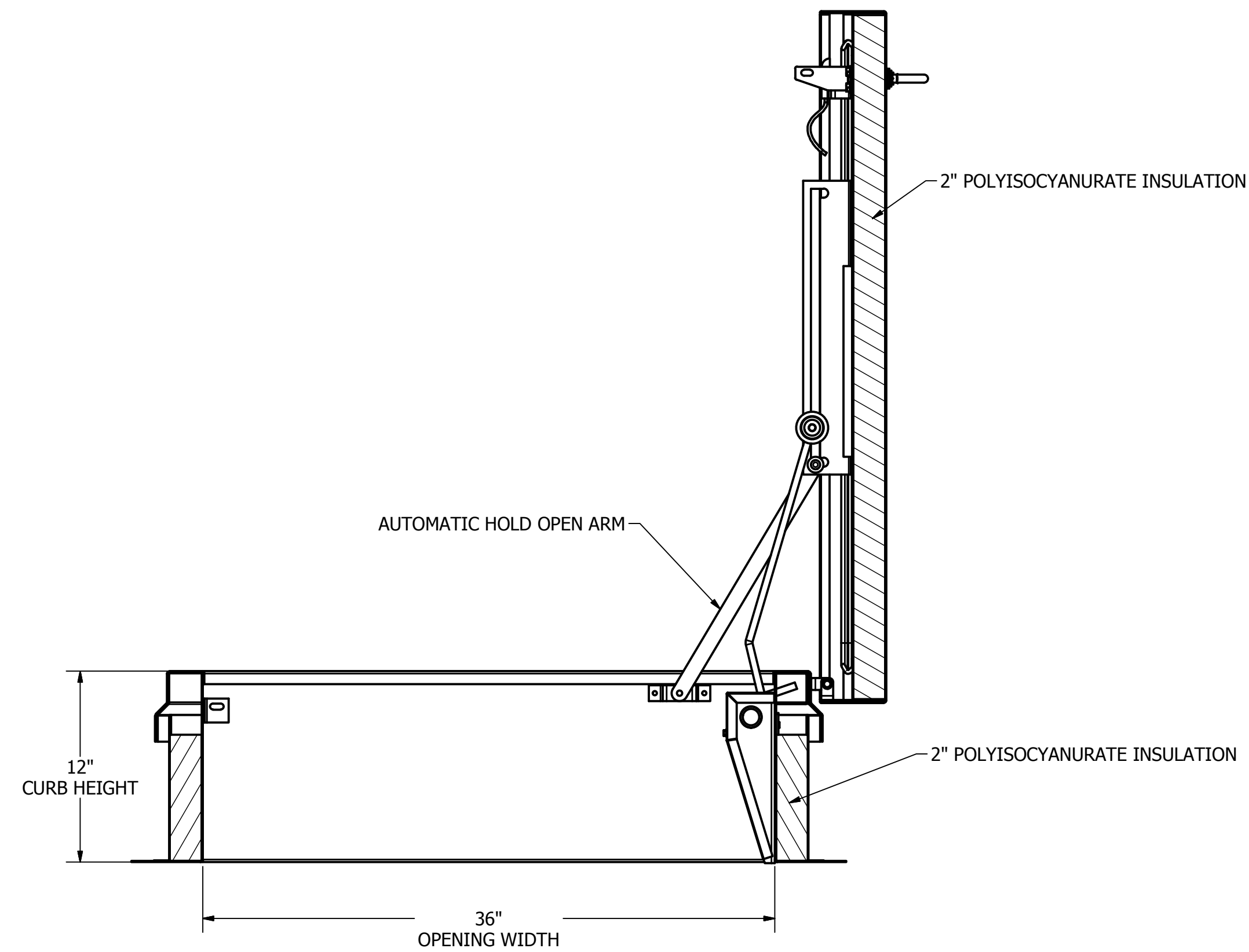
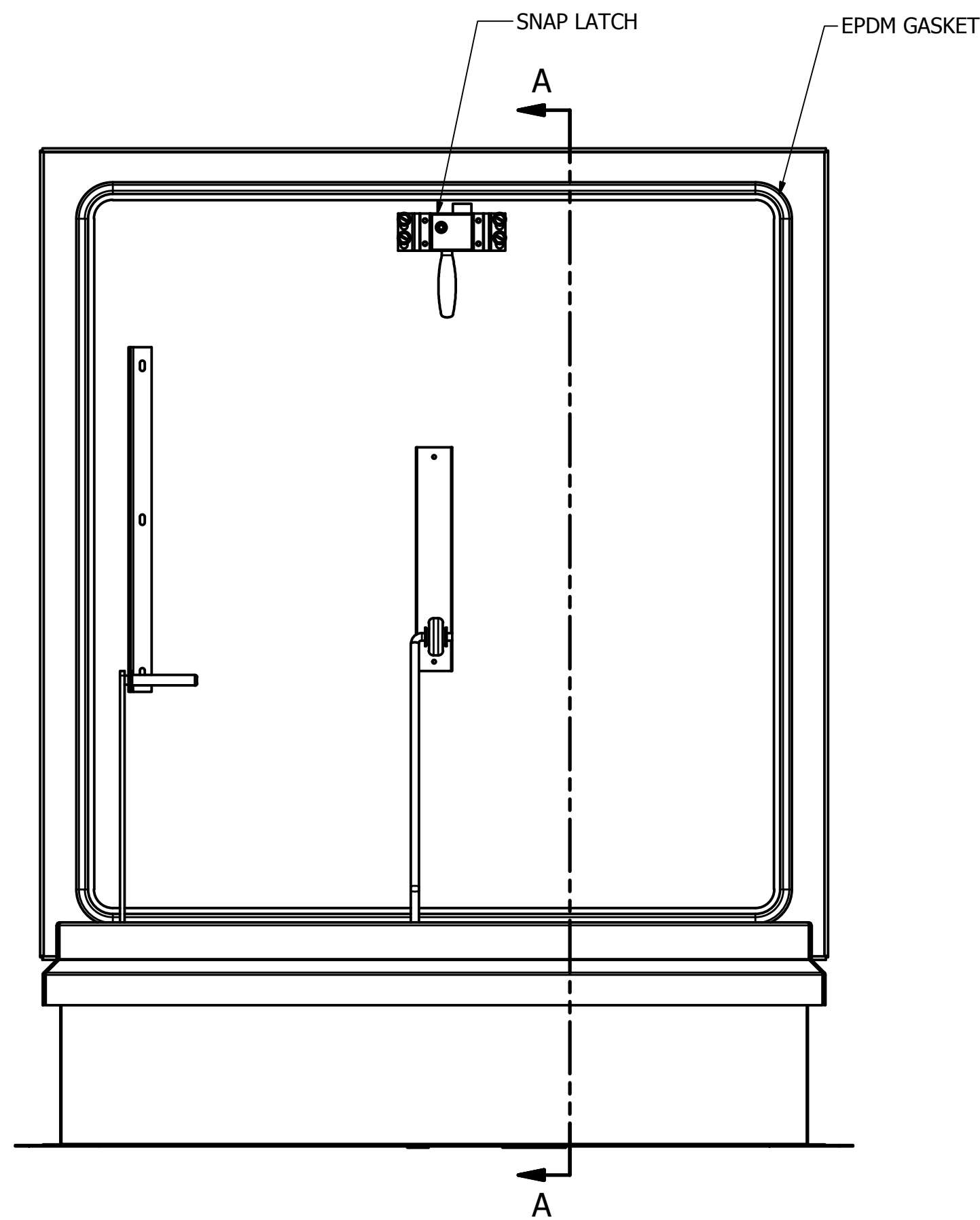
TITLE HELD \_\_\_\_\_

DATE OF APPROVAL \_\_\_\_\_

DRAWN	CMD	2/27/2015	Hart & Cooley Inc. 5030 Corporate Exchange Blvd. SE Grand Rapids, MI. 49512 Ph: 800-624-8642		
CHECKED		<b>MILCOR</b>	TITLE		
QA		TOLERANCE UNLESS SPECIFIED	M-3 EE SINGLE LEAF ROOF HATCH		
MFG		.XXX ± 0.005"	SIZE	DWG NO	REV
APPROVED		.XX ± 0.01"	D	3501-512-9EE	--
		FRACT. ± 1/16"	SCALE		
		ANGLES ± 1'			SHEET 1 OF 1



- NOTES:  
 SIZE: M-3'0"X3'0"  
 1) 70psf COVER LIVE LOAD RATING  
 2) HATCH PAINTED WHITE  
 3) MATERIALS:  
 14ga GALVANIZED, COVER  
 14ga GALVANIZED, CURB  
 14ga GALVANIZED, COUNTER FLASHING  
 22ga GALVANIZED, COVER LINER  
 22ga GALVANIZED, CURB LINER



SECTION A-A

ORDER WILL NOT BE RELEASED FOR FABRICATION UNTIL SIGNED COPY IS RECEIVED.

VERIFICATION AND APPROVAL OF GENERAL ARRANGEMENT AND OVERALL DIMENSIONS FOR THIS DOCUMENT ARE REQUIRED BEFORE THE ORDER IS ENTERED FOR MANUFACTURING.

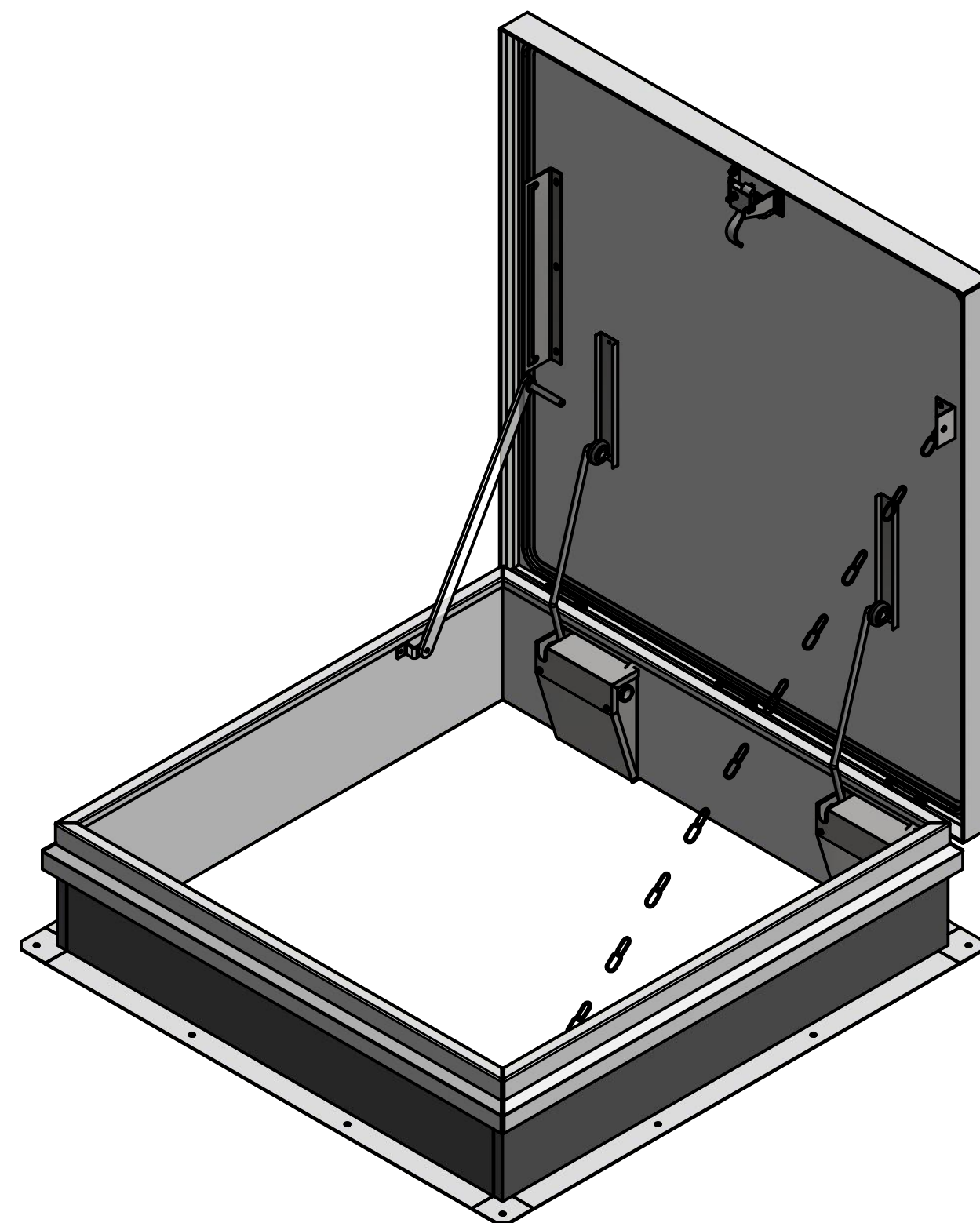
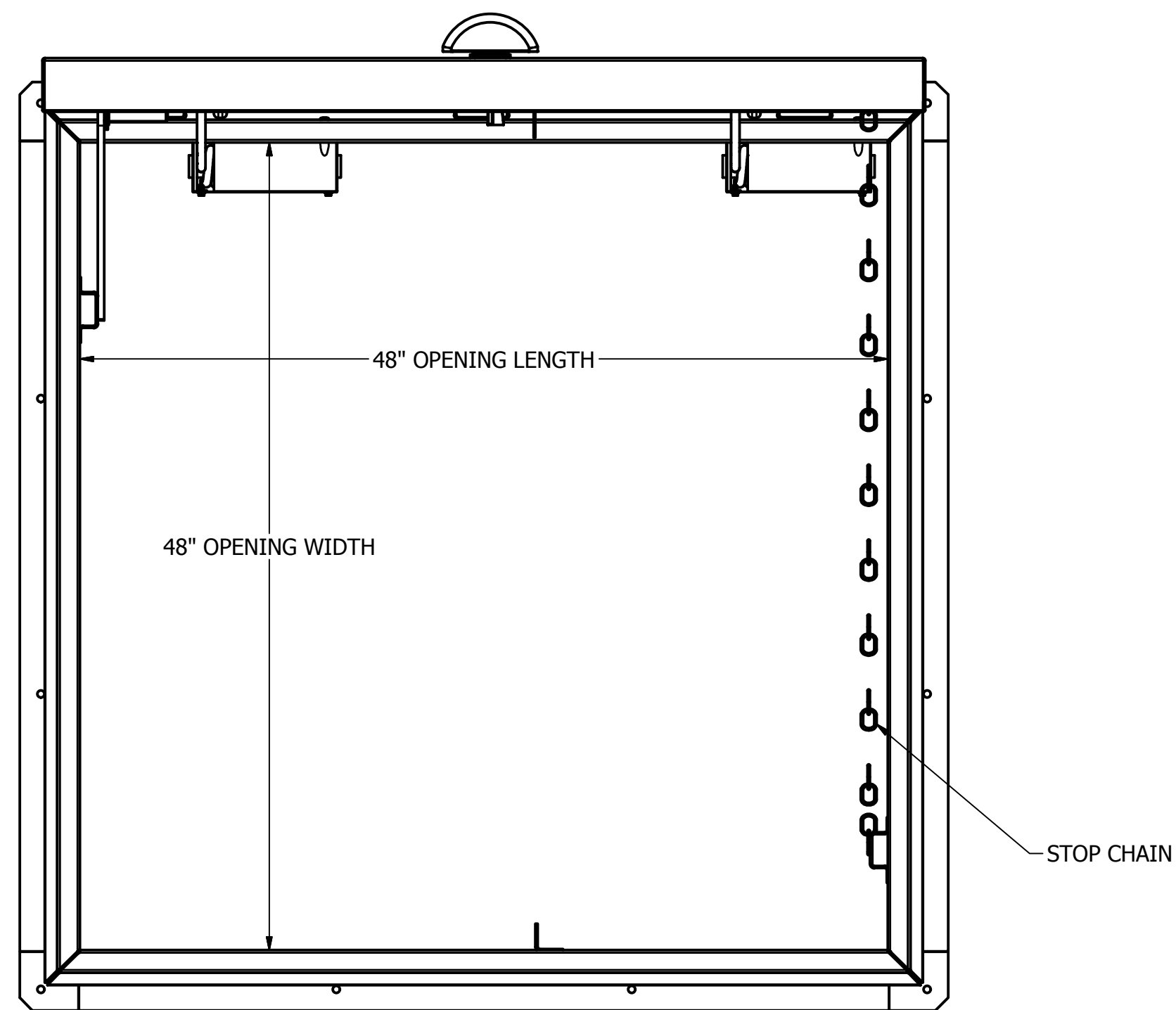
APPROVAL SIGNATURE \_\_\_\_\_

TITLE HELD \_\_\_\_\_

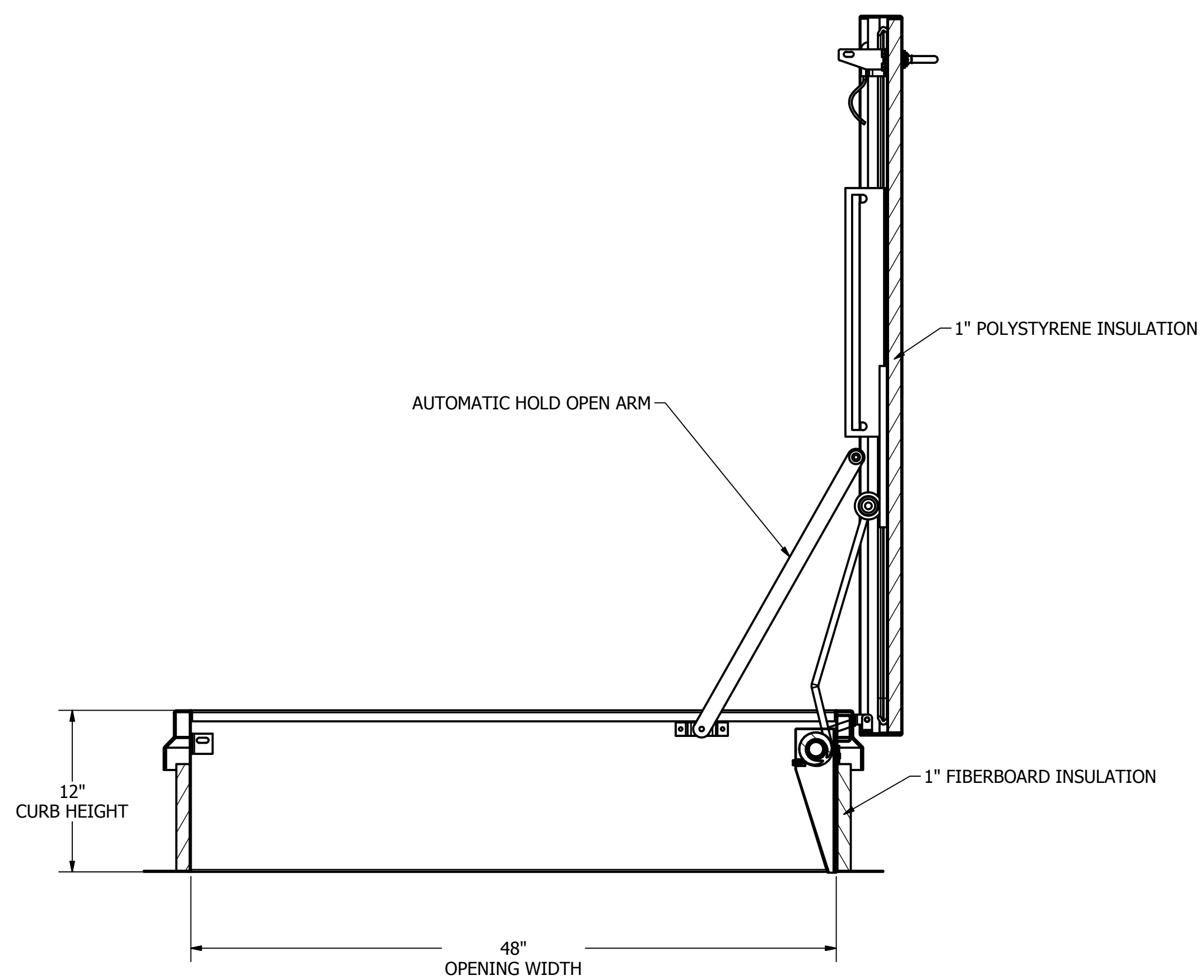
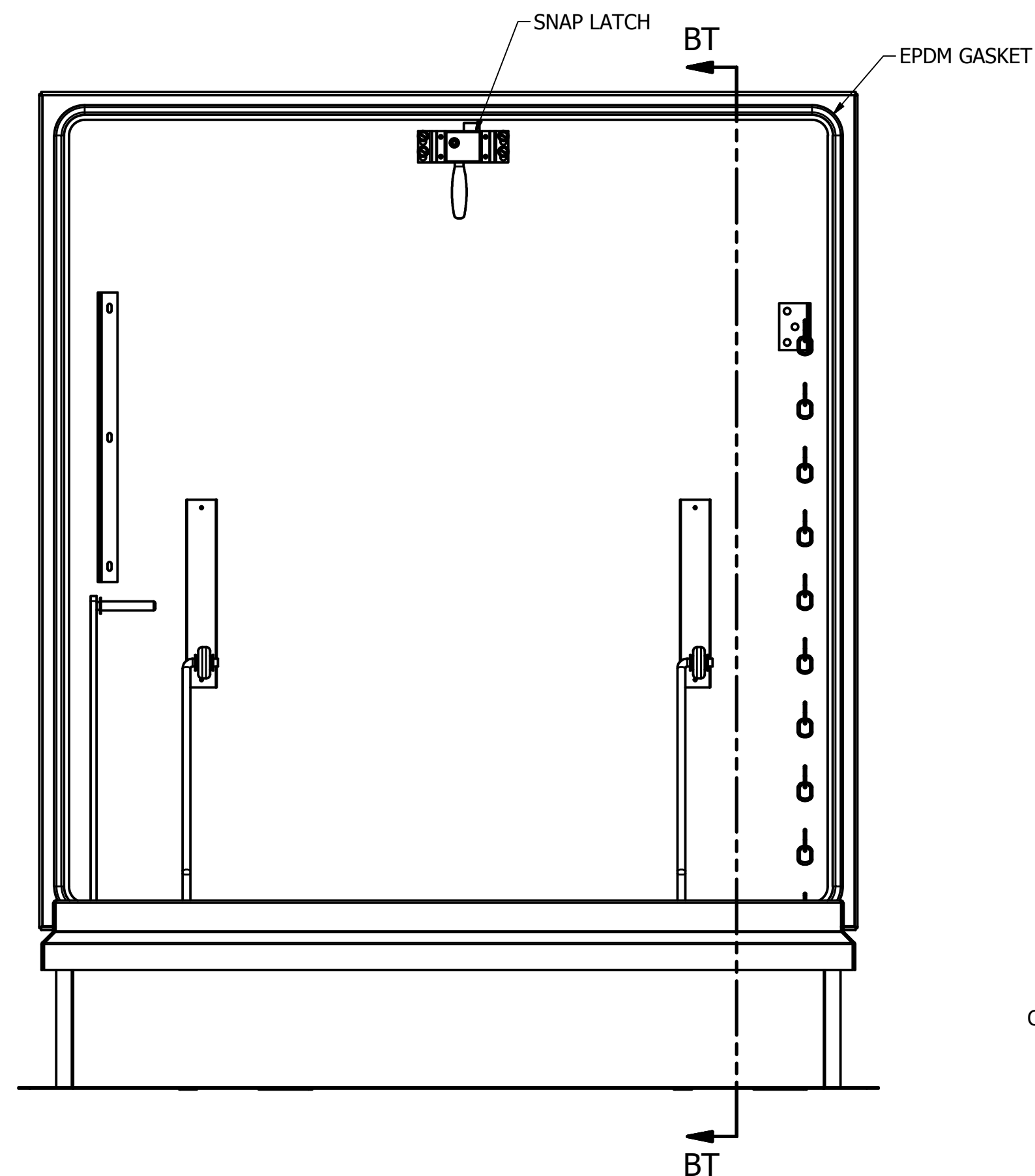
DATE OF APPROVAL \_\_\_\_\_

DRAWN CMD	3/2/2015	Hart & Cooley Inc. 5030 Corporate Exchange Blvd. SE Grand Rapids, MI. 49512 Ph: 800-624-8642	
CHECKED	<b>MILCOR</b>	TITLE	
QA	TOLERANCE UNLESS SPECIFIED	M-3x3 EE ROOF HATCH	
MFG	.XXX ± 0.005"	SIZE	D
APPROVED	.XX ± 0.01"	DWG NO	3501-410-9EE
	FRACT. ± 1/16"	SCALE	1" = 1'
	ANGLES ± 1'	SHEET 1 OF 1	





- NOTES:  
 SIZE: M-4'0"X4'0"  
 1) 70psf COVER LIVE LOAD RATING  
 2) HATCH PAINTED WHITE  
 3) MATERIALS:  
 14ga GALVANIZED, COVER  
 14ga GALVANIZED, CURB  
 14ga GALVANIZED, COUNTER FLASHING  
 22ga GALVANIZED, COVER LINER



SECTION BT-BT

ORDER WILL NOT BE RELEASED FOR FABRICATION  
 UNTIL SIGNED COPY IS RECEIVED.

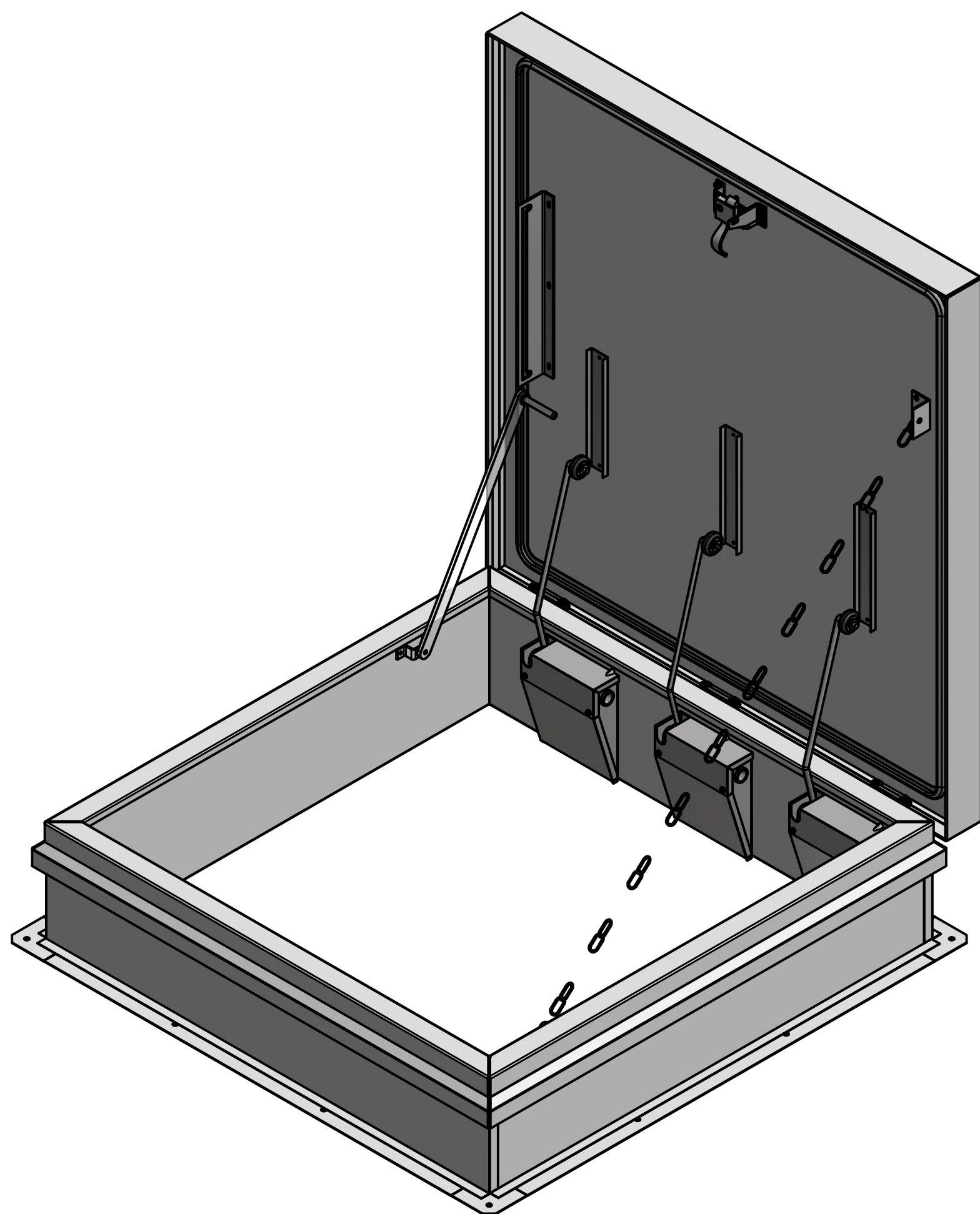
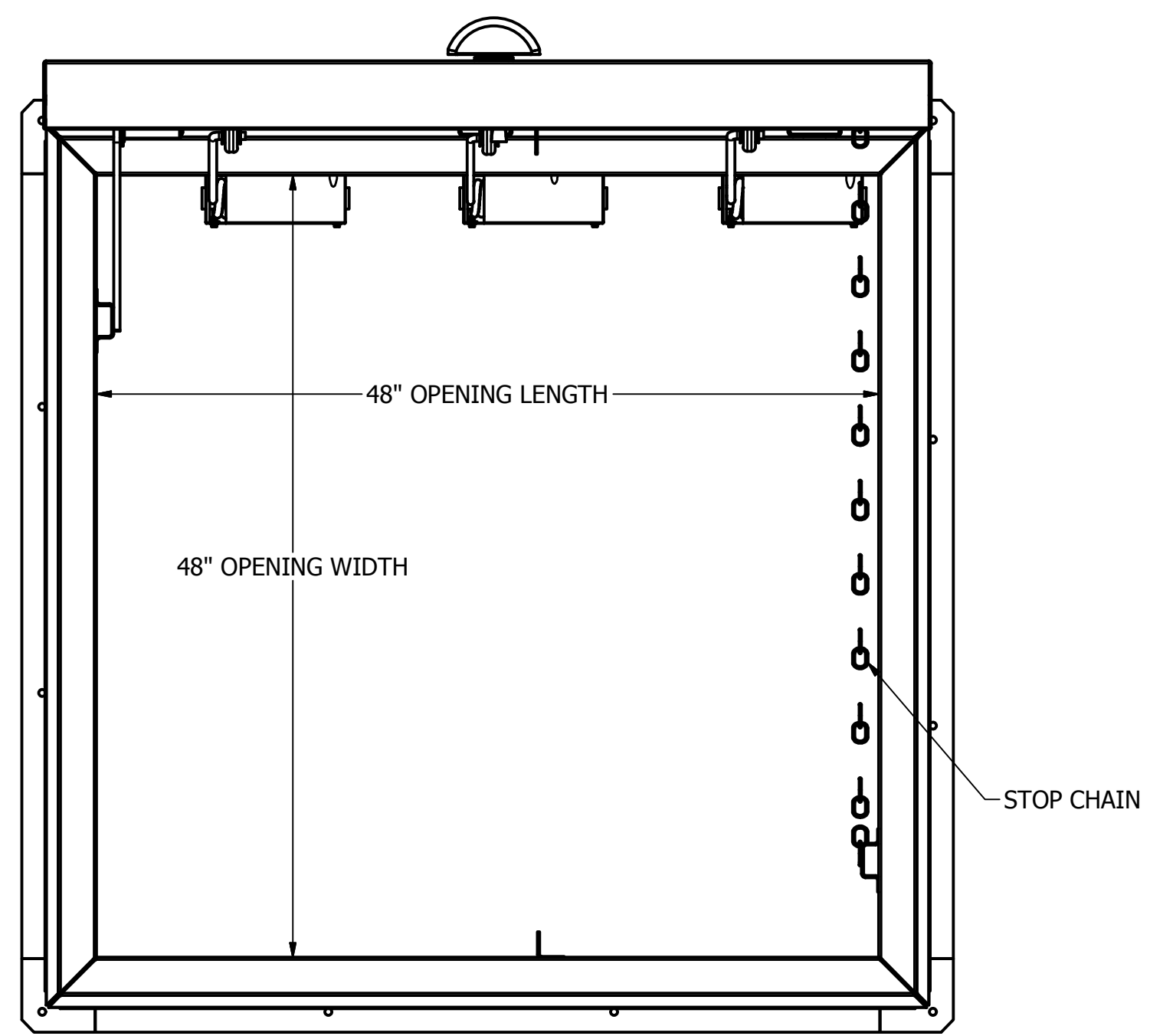
VERIFICATION AND APPROVAL OF GENERAL ARRANGEMENT AND  
 OVERALL DIMENSIONS FOR THIS DOCUMENT ARE REQUIRED BEFORE  
 THE ORDER IS ENTERED FOR MANUFACTURING.

APPROVAL SIGNATURE \_\_\_\_\_

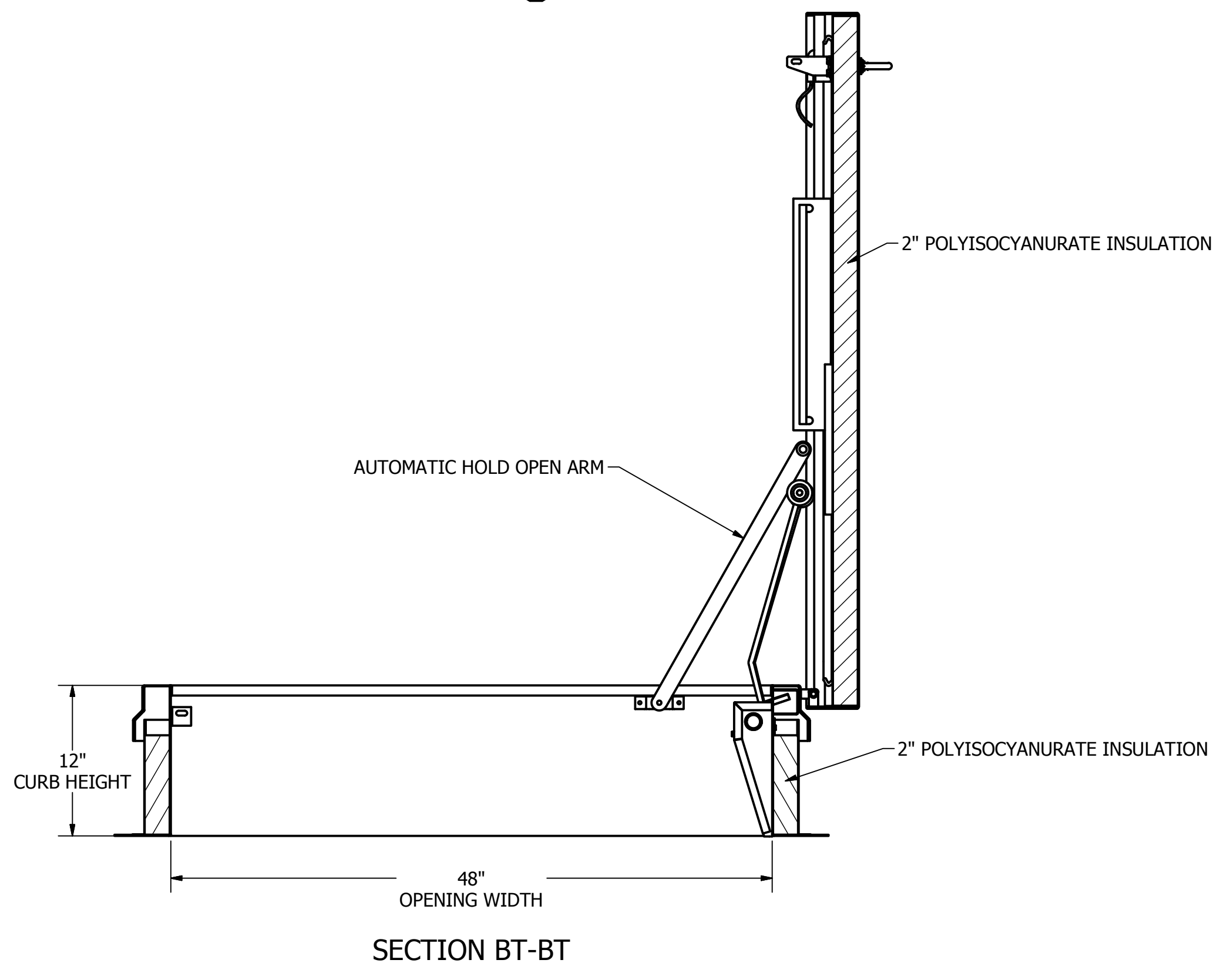
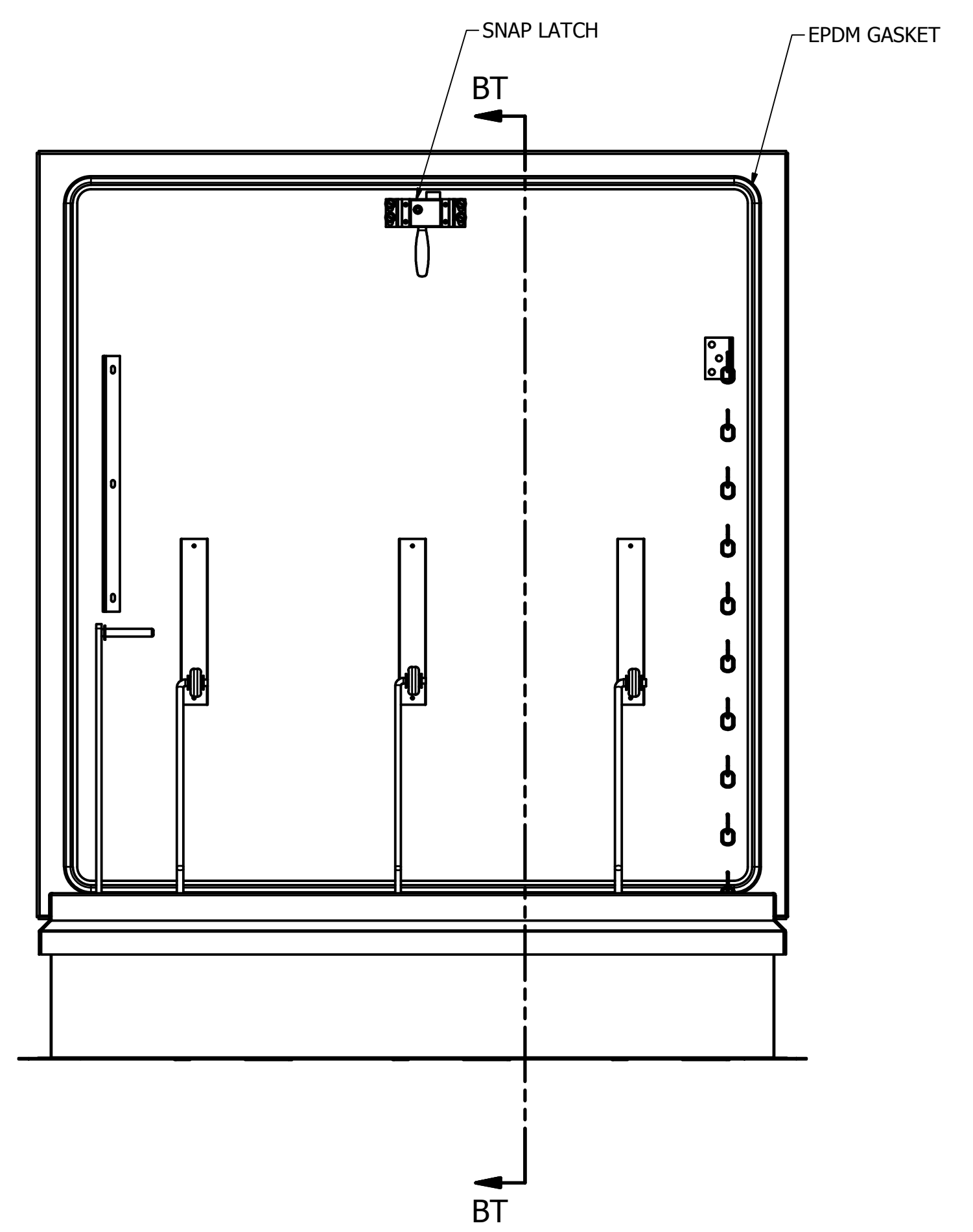
TITLE HELD \_\_\_\_\_

DATE OF APPROVAL \_\_\_\_\_

DRAWN	CMD	2/23/2015	Hart & Cooley Inc. 5030 Corporate Exchange Blvd. SE Grand Rapids, MI. 49512 Ph: 800-624-8642		
CHECKED	<b>MILCOR</b>		TITLE		
QA	TOLERANCE UNLESS SPECIFIED		M-7 SINGLE LEAF ROOF HATCH		
MFG	.XXX	± 0.005"	SIZE	DWG NO	REV
APPROVED	.XX	± 0.01"	D	3501-515-9	--
	FRACT.	± 1/16"	SCALE		
	ANGLES	± 1'			SHEET 1 OF 1



- NOTES:  
 SIZE: M-4'0"X4'0"  
 1) 70psf COVER LIVE LOAD RATING  
 2) HATCH PAINTED WHITE  
 3) MATERIALS:  
 14ga GALVANIZED, COVER  
 14ga GALVANIZED, CURB  
 14ga GALVANIZED, COUNTER FLASHING  
 22ga GALVANIZED, COVER LINER  
 22ga GALVANIZED, CURB LINER



ORDER WILL NOT BE RELEASED FOR FABRICATION UNTIL SIGNED COPY IS RECEIVED.

VERIFICATION AND APPROVAL OF GENERAL ARRANGEMENT AND OVERALL DIMENSIONS FOR THIS DOCUMENT ARE REQUIRED BEFORE THE ORDER IS ENTERED FOR MANUFACTURING.

APPROVAL SIGNATURE \_\_\_\_\_

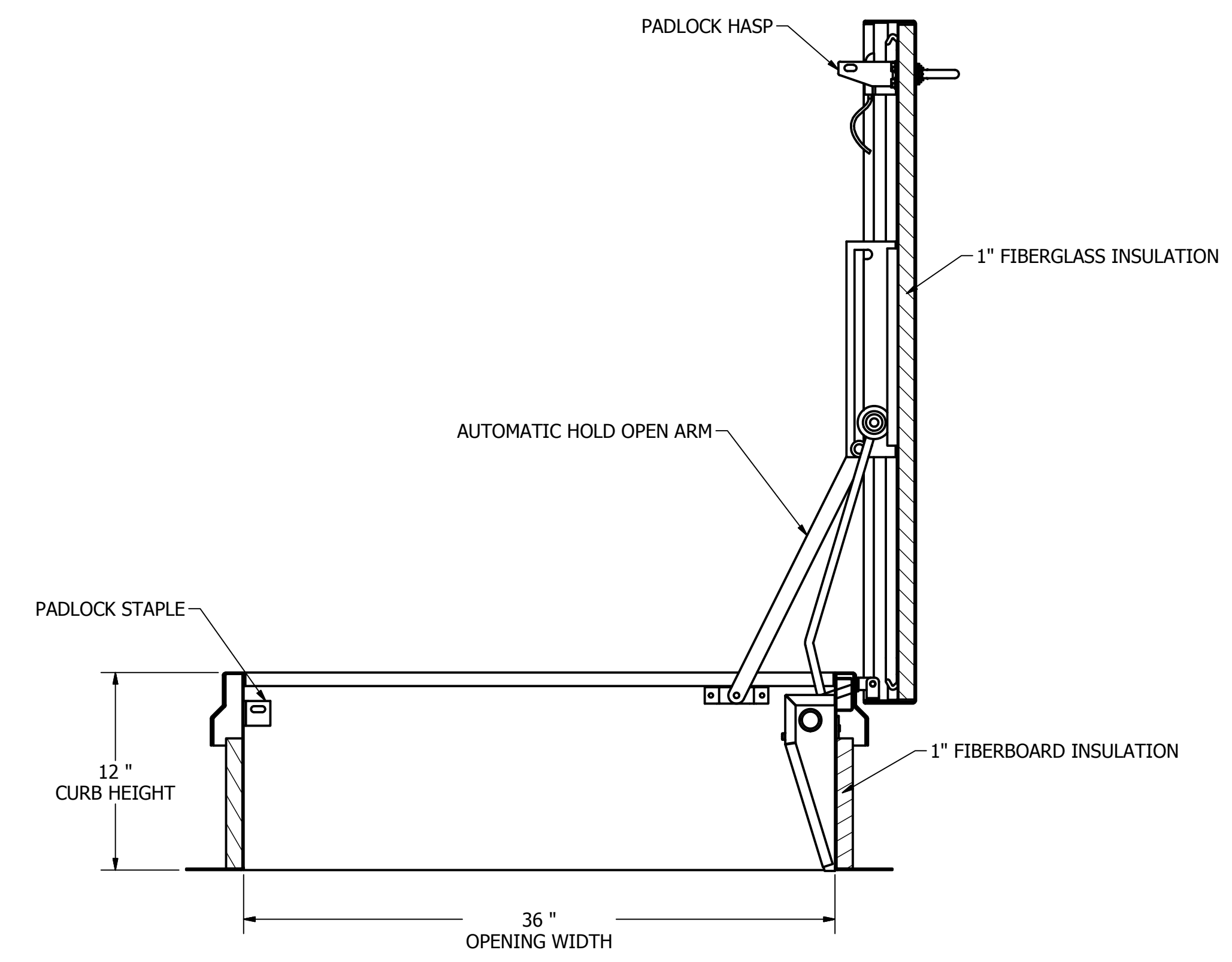
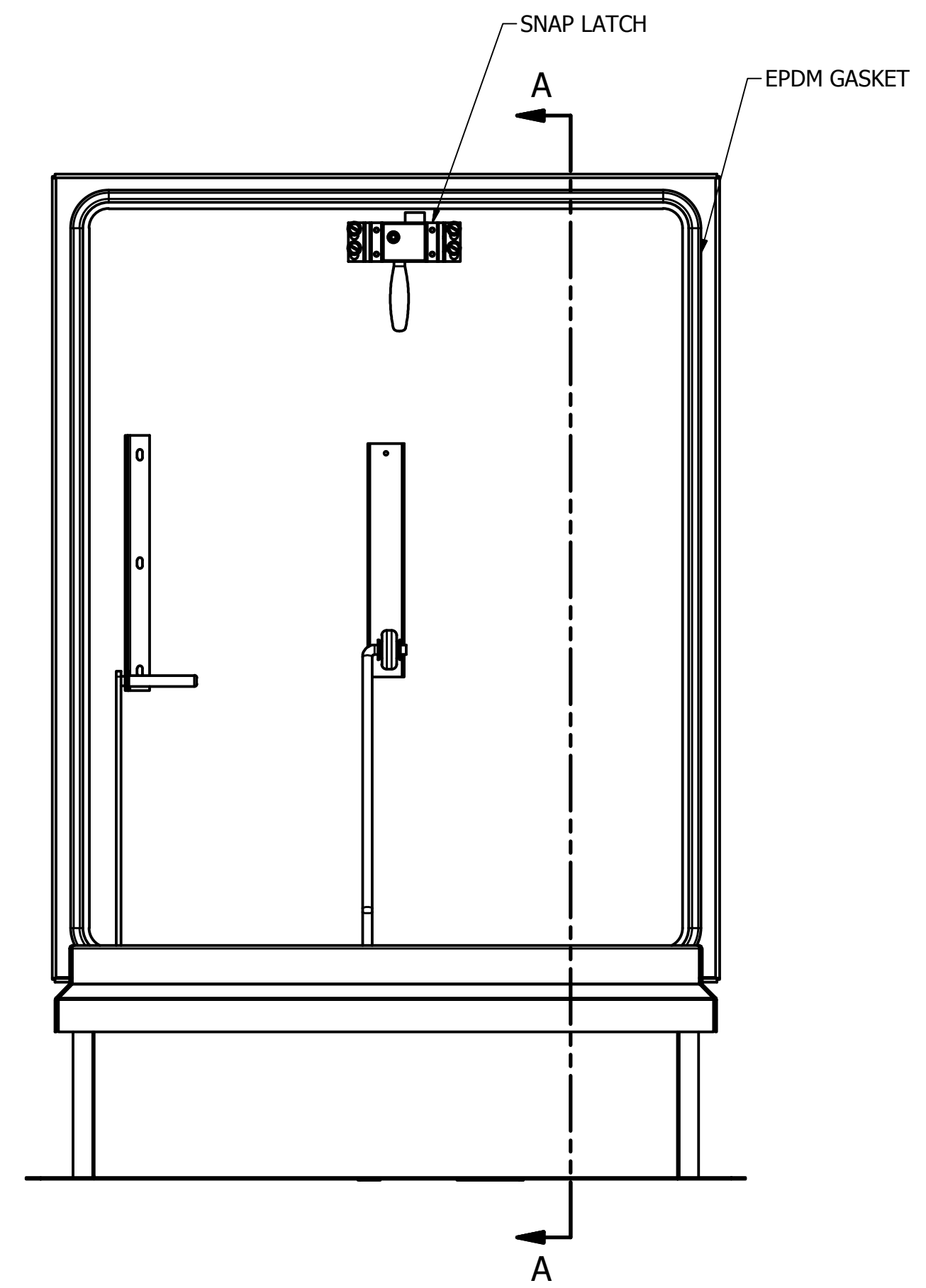
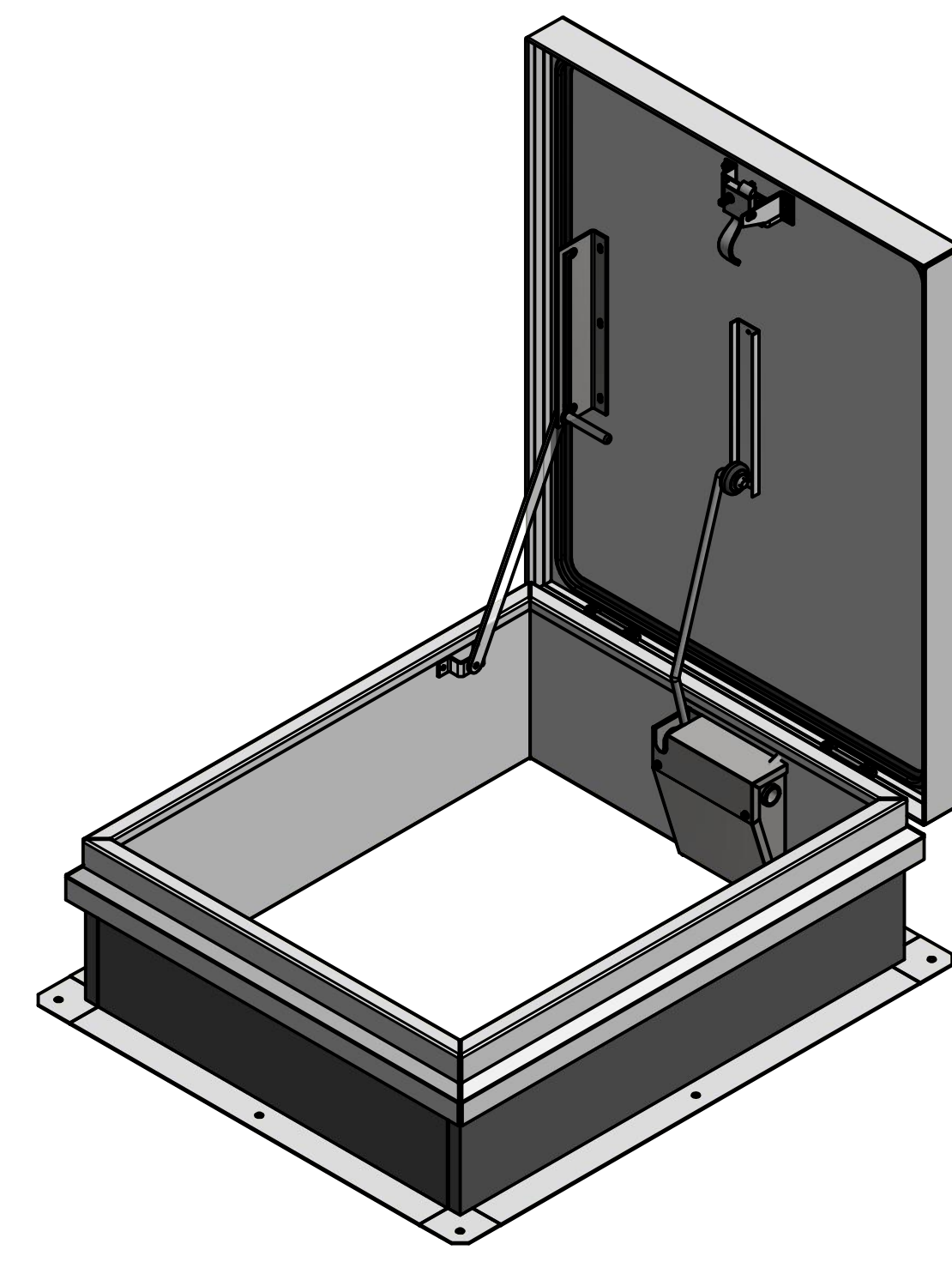
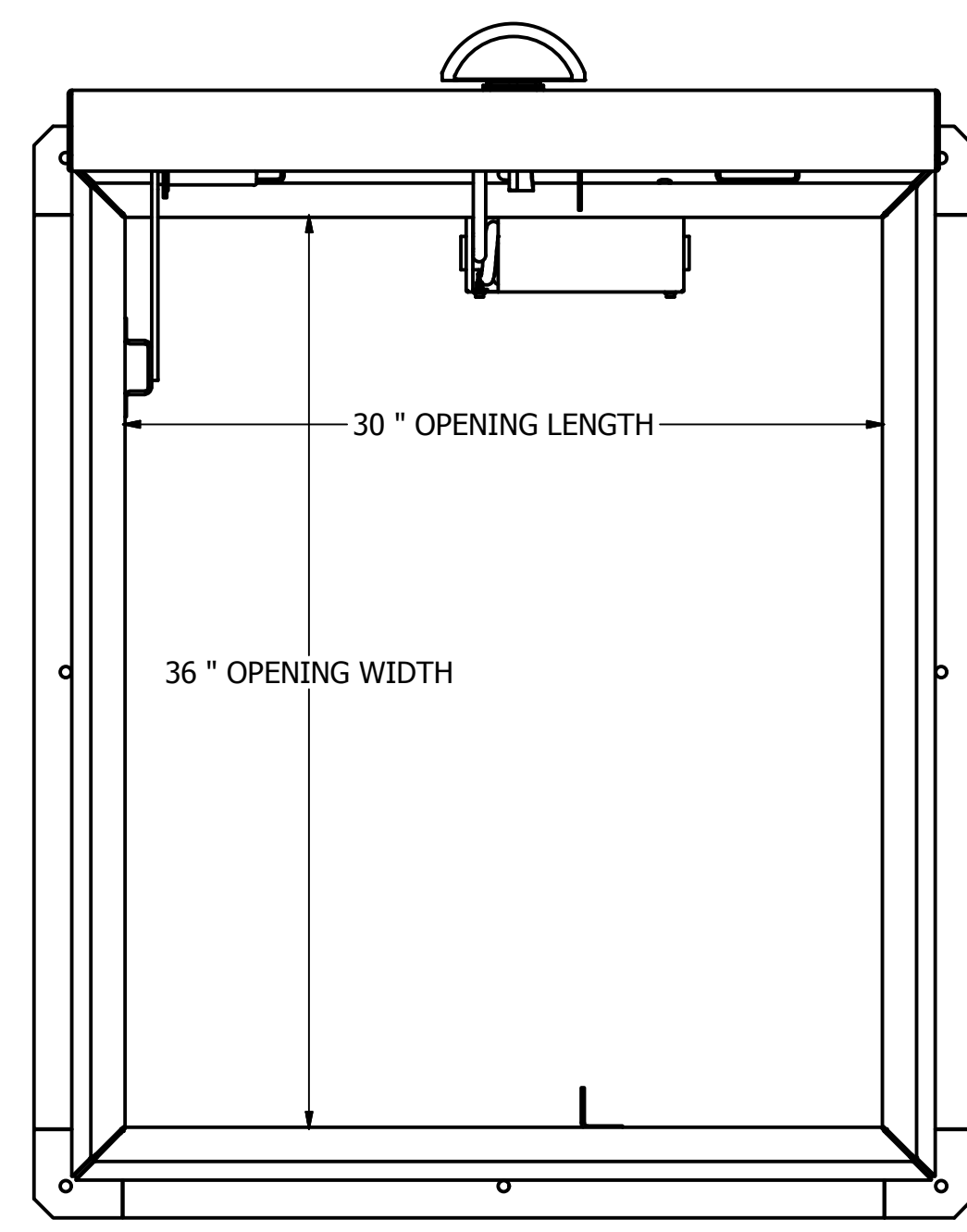
TITLE HELD \_\_\_\_\_

DATE OF APPROVAL \_\_\_\_\_

DRAWN	CMD	3/2/2015	Hart & Cooley Inc. 5030 Corporate Exchange Blvd. SE Grand Rapids, MI. 49512 Ph: 800-624-8642		
CHECKED	<b>MILCOR</b>		TITLE		
QA	TOLERANCE UNLESS SPECIFIED		M-7 EE SINGLE LEAF ROOF HATCH		
MFG	.XXX ± 0.005"		SIZE	DWG NO	REV
APPROVED	.XX ± 0.01"		D	3501-515-9EE	--
	FRACT. ± 1/16"		SCALE	SHEET 1 OF 1	
	ANGLES ± 1'				



- NOTES:  
 SIZE: RB-3'0"X2'6"  
 1) 40psf COVER LIVE LOAD RATING  
 2) HATCH PAINTED WHITE  
 3) MATERIALS:  
 14ga GALVANIZED, COVER  
 14ga GALVANIZED, CURB  
 14ga GALVANIZED, COUNTER FLASHING  
 22ga GALVANIZED, COVER LINER



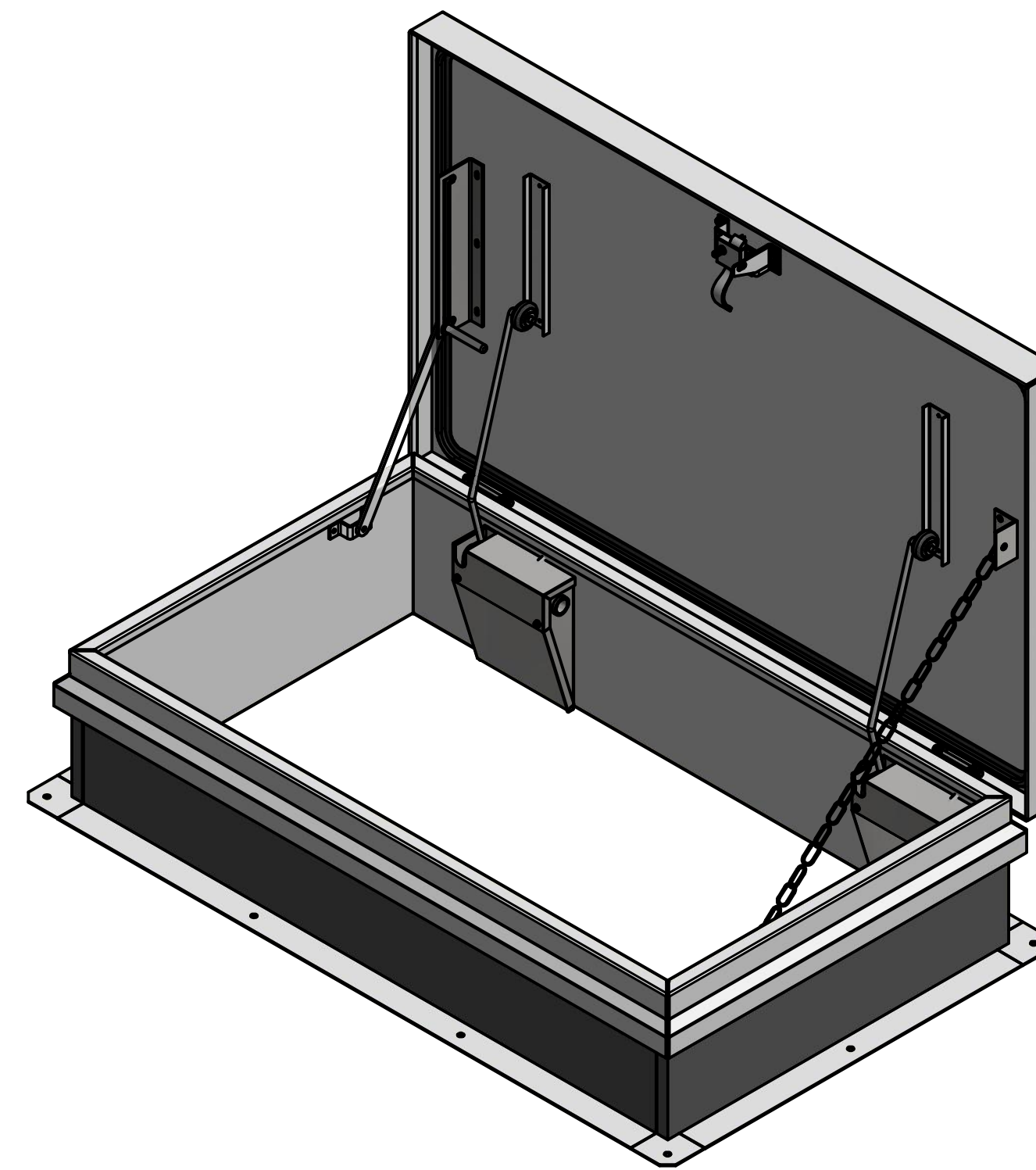
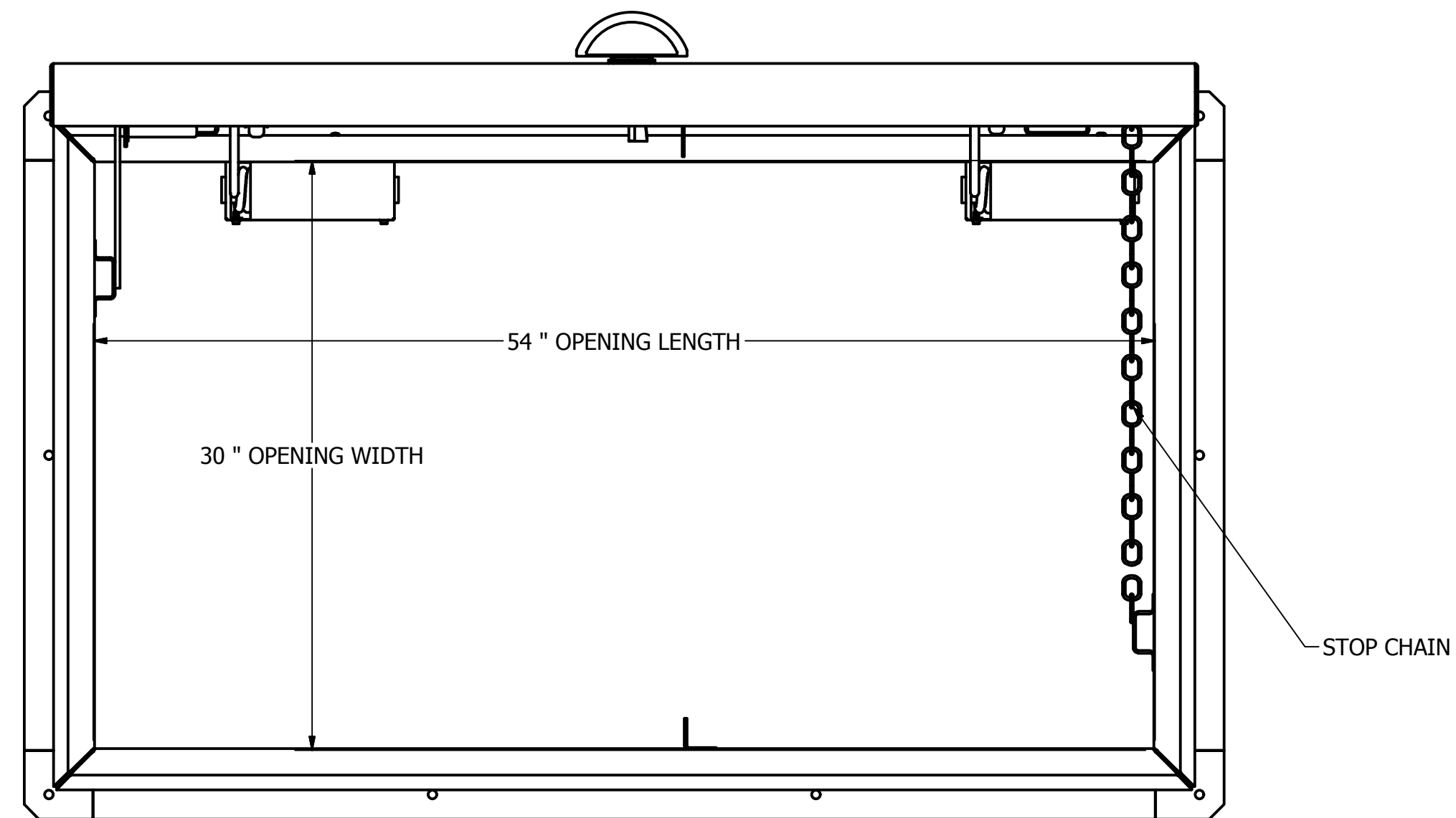
SECTION A-A

ORDER WILL NOT BE RELEASED FOR FABRICATION UNTIL SIGNED COPY IS RECEIVED.

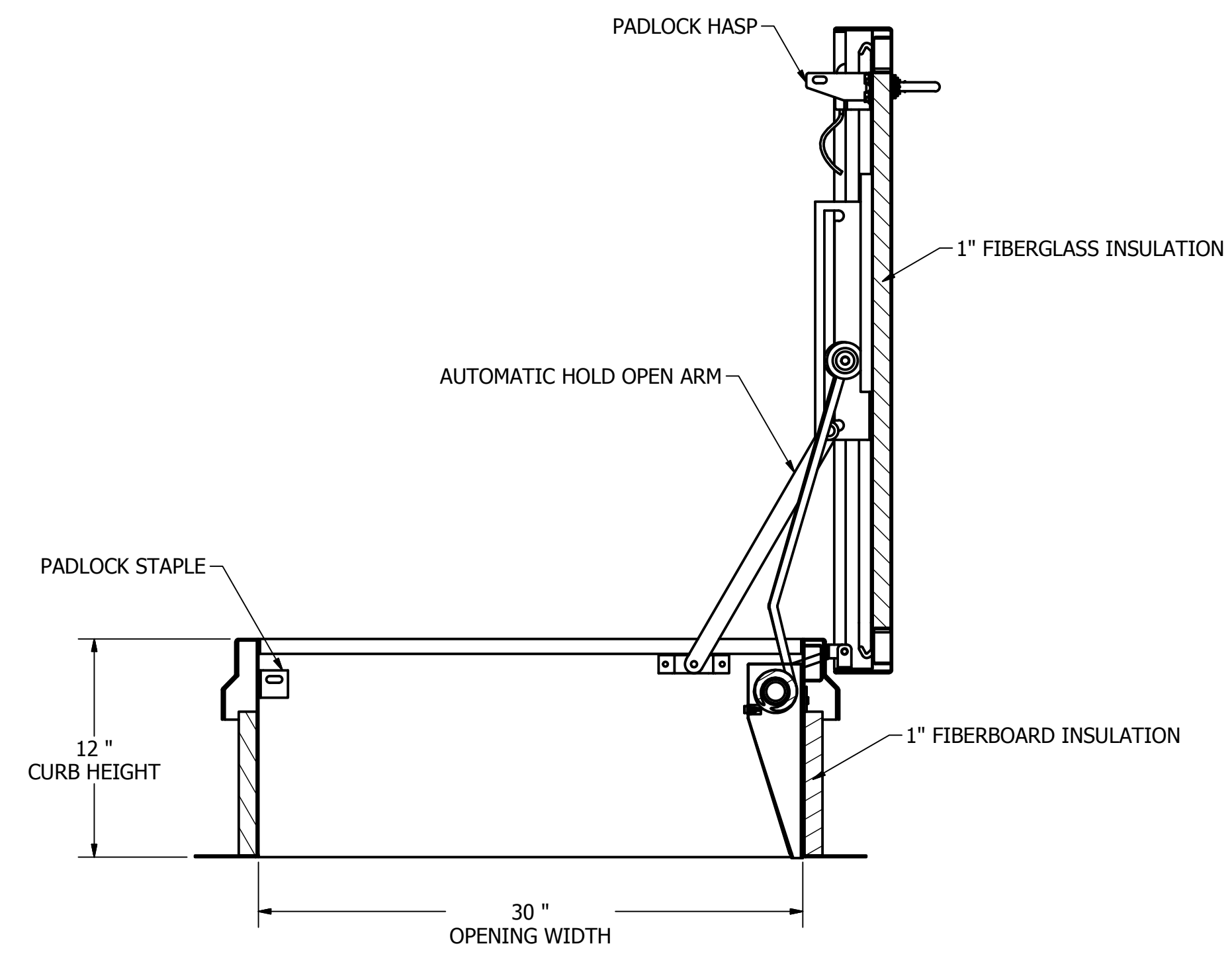
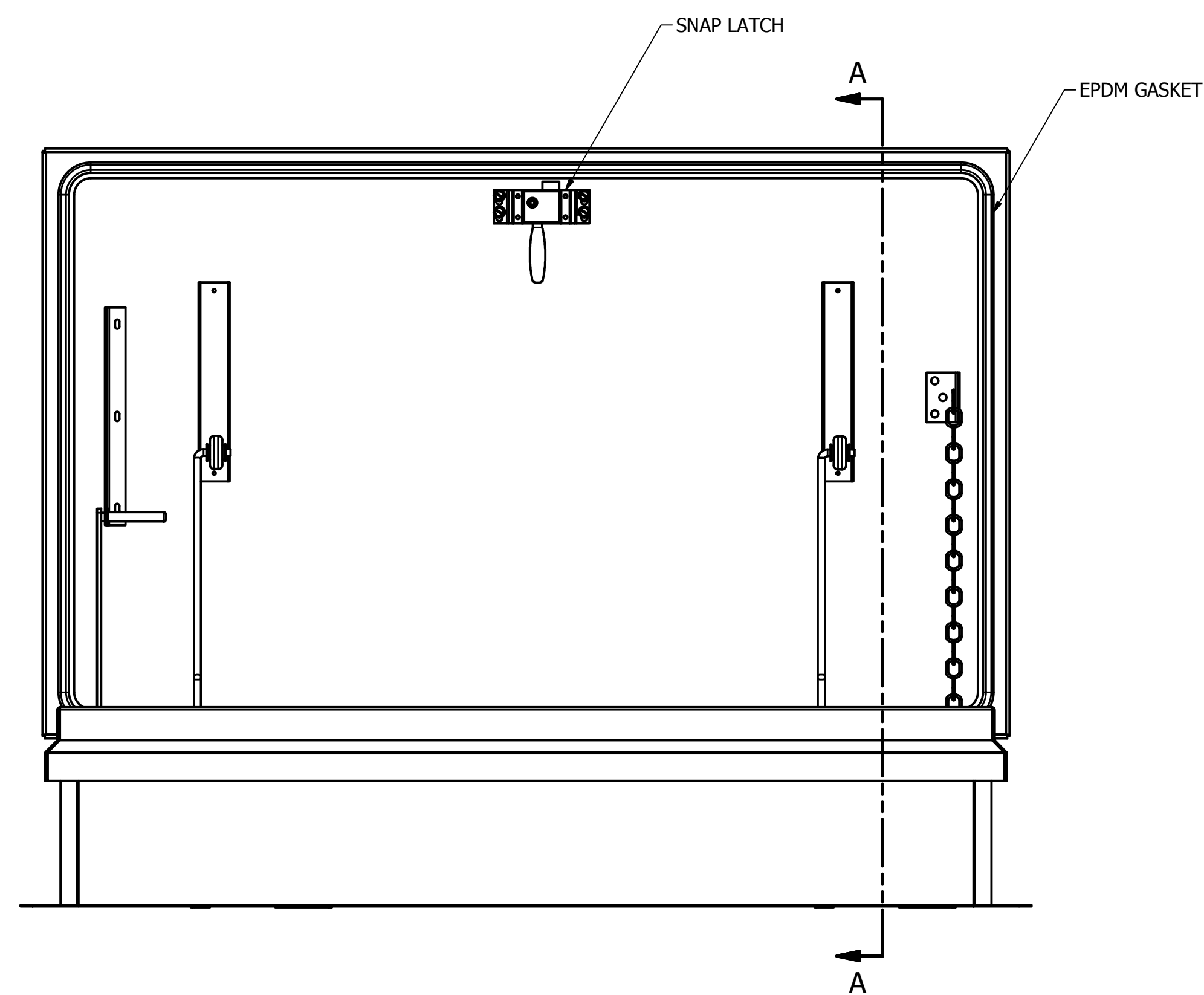
VERIFICATION AND APPROVAL OF GENERAL ARRANGEMENT AND OVERALL DIMENSIONS FOR THIS DOCUMENT ARE REQUIRED BEFORE THE ORDER IS ENTERED FOR MANUFACTURING.

APPROVAL SIGNATURE \_\_\_\_\_  
 TITLE HELD \_\_\_\_\_  
 DATE OF APPROVAL \_\_\_\_\_

DRAWN	CMD	2/23/2015	Hart & Cooley Inc.	
CHECKED	<b>MILCOR</b>		5030 Corporate Exchange Blvd. SE Grand Rapids, MI. 49512 Ph: 800-624-8642	
QA		TOLERANCE	TITLE	
MFG		UNLESS SPECIFIED	RB-1 SINGLE LEAF ROOF HATCH	
APPROVED		.XXX ± 0.005"	SIZE	D
		.XX ± 0.01"	DWG NO	3501-112-9
		FRACT. ± 1/16"	SCALE	
		ANGLES ± 1'	SHEET 1 OF 1	



- NOTES:
- SIZE: RB-2'6"X4'6"
- 1) 40psf COVER LIVE LOAD RATING
  - 2) HATCH PAINTED WHITE
  - 3) MATERIALS:
    - 14ga GALVANIZED, COVER
    - 14ga GALVANIZED, CURB
    - 14ga GALVANIZED, COUNTER FLASHING
    - 22ga GALVANIZED, COVER LINER



ORDER WILL NOT BE RELEASED FOR FABRICATION UNTIL SIGNED COPY IS RECEIVED.

VERIFICATION AND APPROVAL OF GENERAL ARRANGEMENT AND OVERALL DIMENSIONS FOR THIS DOCUMENT ARE REQUIRED BEFORE THE ORDER IS ENTERED FOR MANUFACTURING.

APPROVAL SIGNATURE \_\_\_\_\_

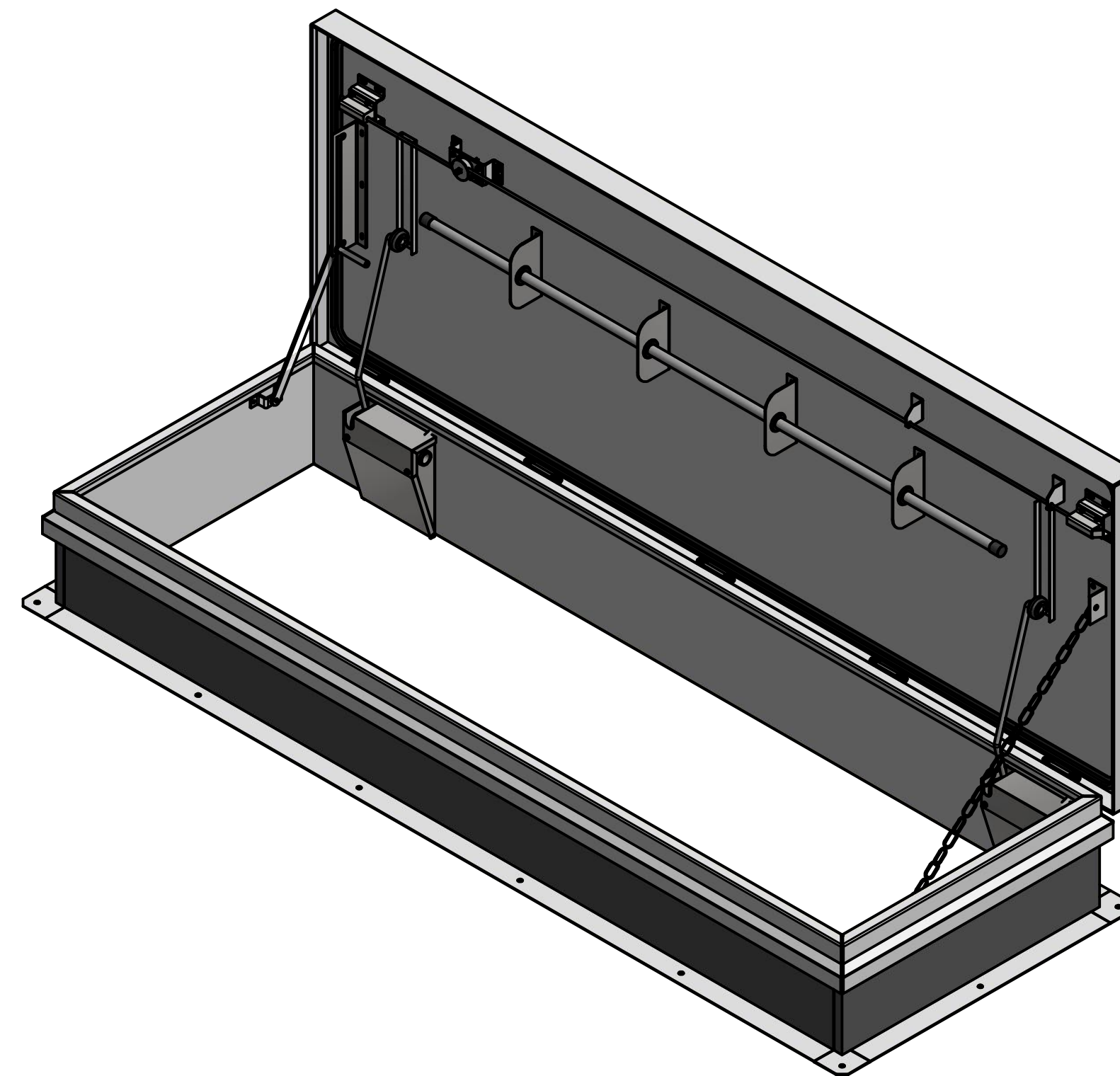
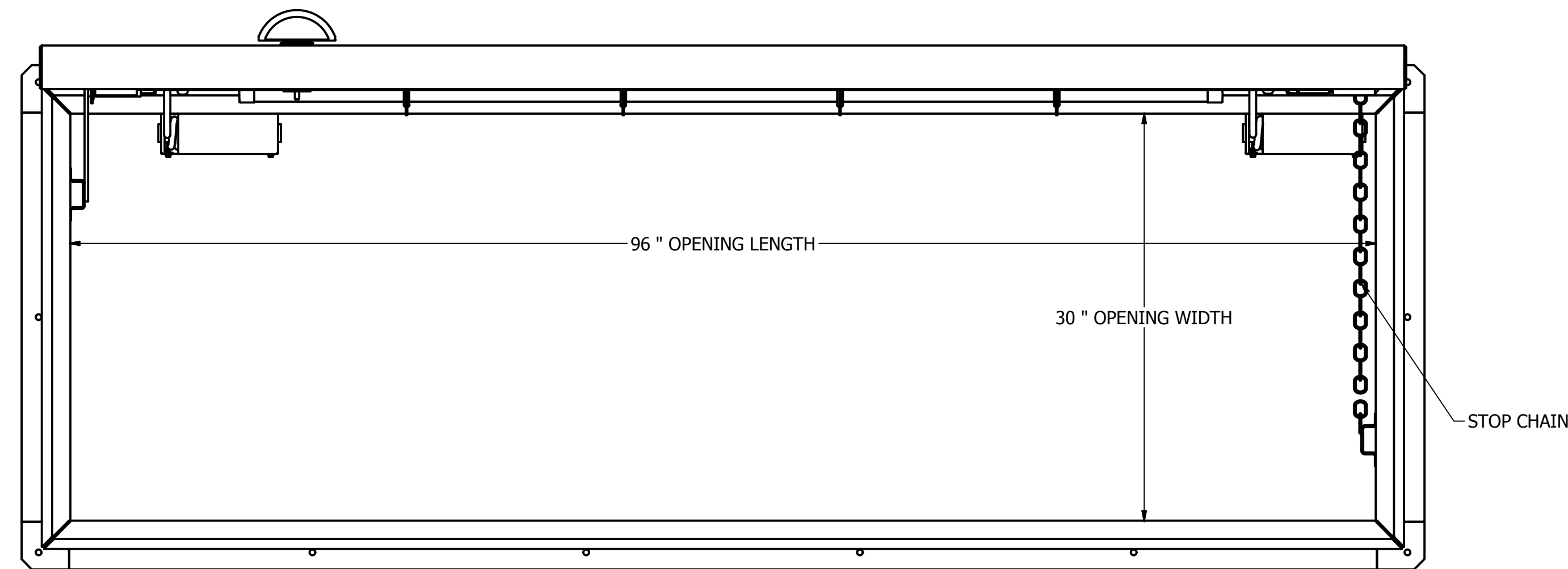
TITLE HELD \_\_\_\_\_

DATE OF APPROVAL \_\_\_\_\_

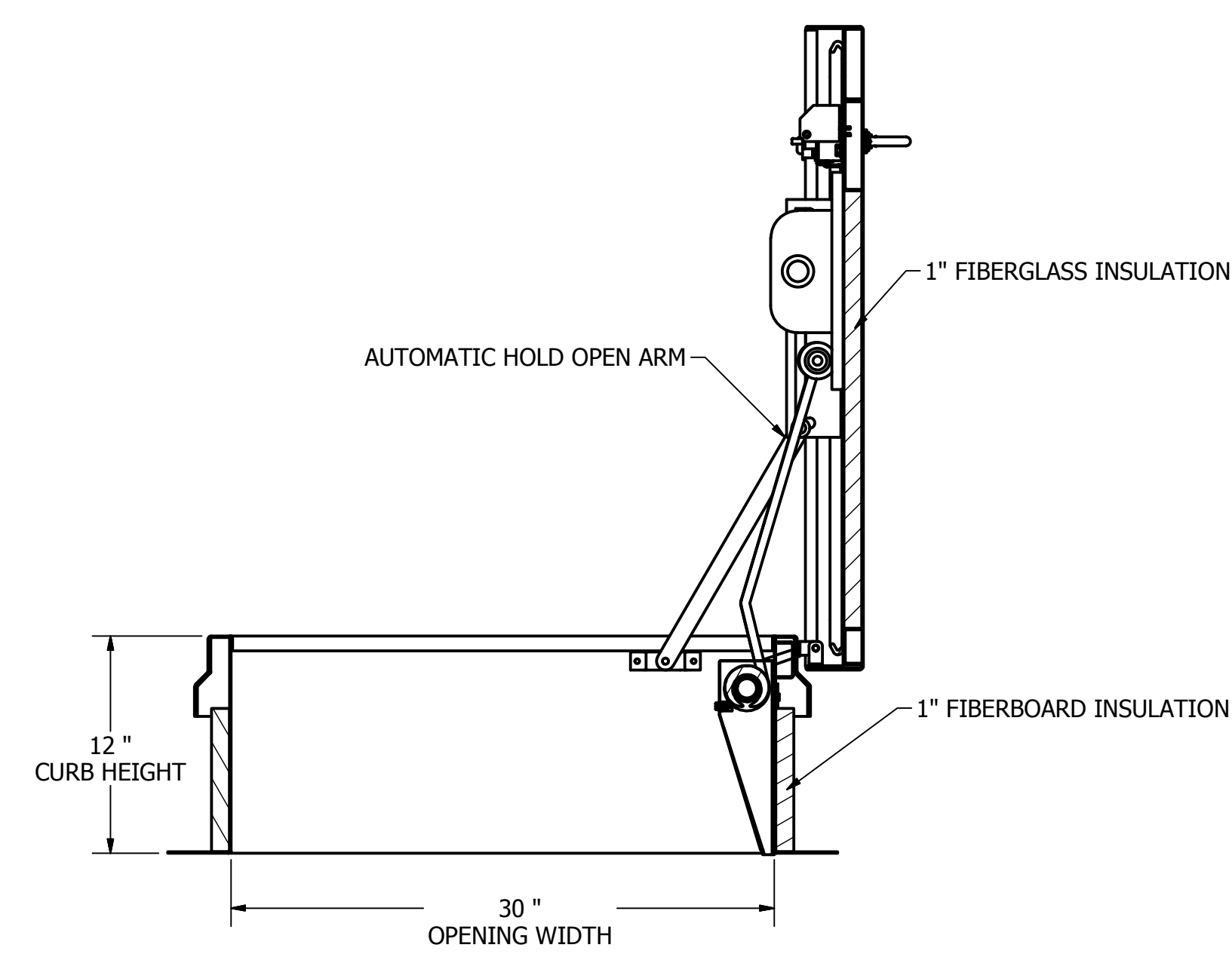
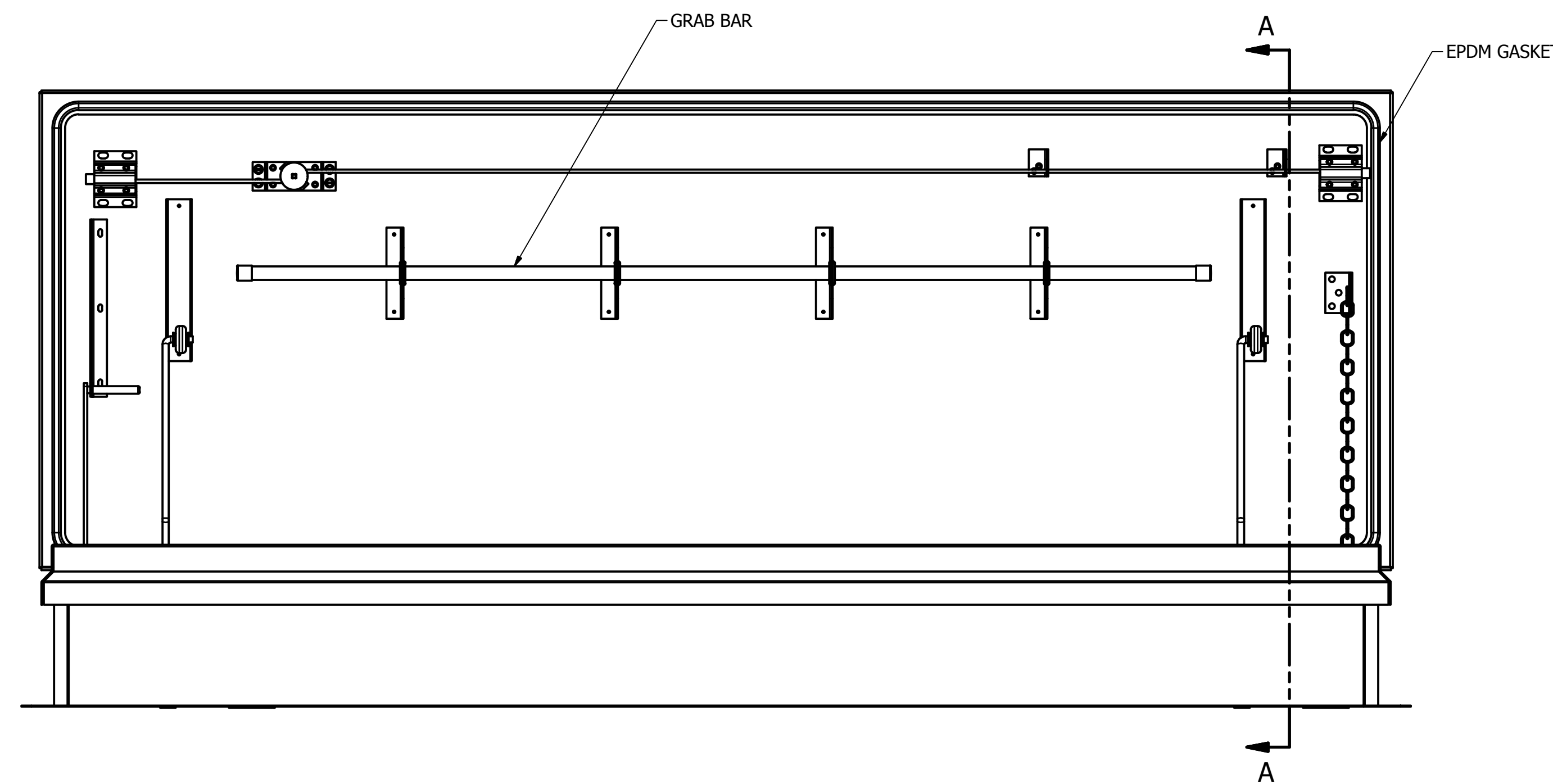
DRAWN	CMD	2/23/2015	Hart & Cooley Inc.		
CHECKED			5030 Corporate Exchange Blvd. SE Grand Rapids, MI. 49512 Ph: 800-624-8642		
QA			TITLE		
MFG			RB-2 SINGLE LEAF ROOF HATCH		
APPROVED			SIZE	DWG NO	REV
			D	3501-115-9	--
			SCALE	SHEET 1 OF 1	



8 7 6 5 4 3 2 1



- NOTES:  
 SIZE: RB-2'6"X8'0"  
 1) 40psf COVER LIVE LOAD RATING  
 2) HATCH PAINTED WHITE  
 3) MATERIALS:  
 14ga GALVANIZED, COVER  
 14ga GALVANIZED, CURB  
 14ga GALVANIZED, COUNTER FLASHING  
 22ga GALVANIZED, COVER LINER



ORDER WILL NOT BE RELEASED FOR FABRICATION UNTIL SIGNED COPY IS RECEIVED.

VERIFICATION AND APPROVAL OF GENERAL ARRANGEMENT AND OVERALL DIMENSIONS FOR THIS DOCUMENT ARE REQUIRED BEFORE THE ORDER IS ENTERED FOR MANUFACTURING.

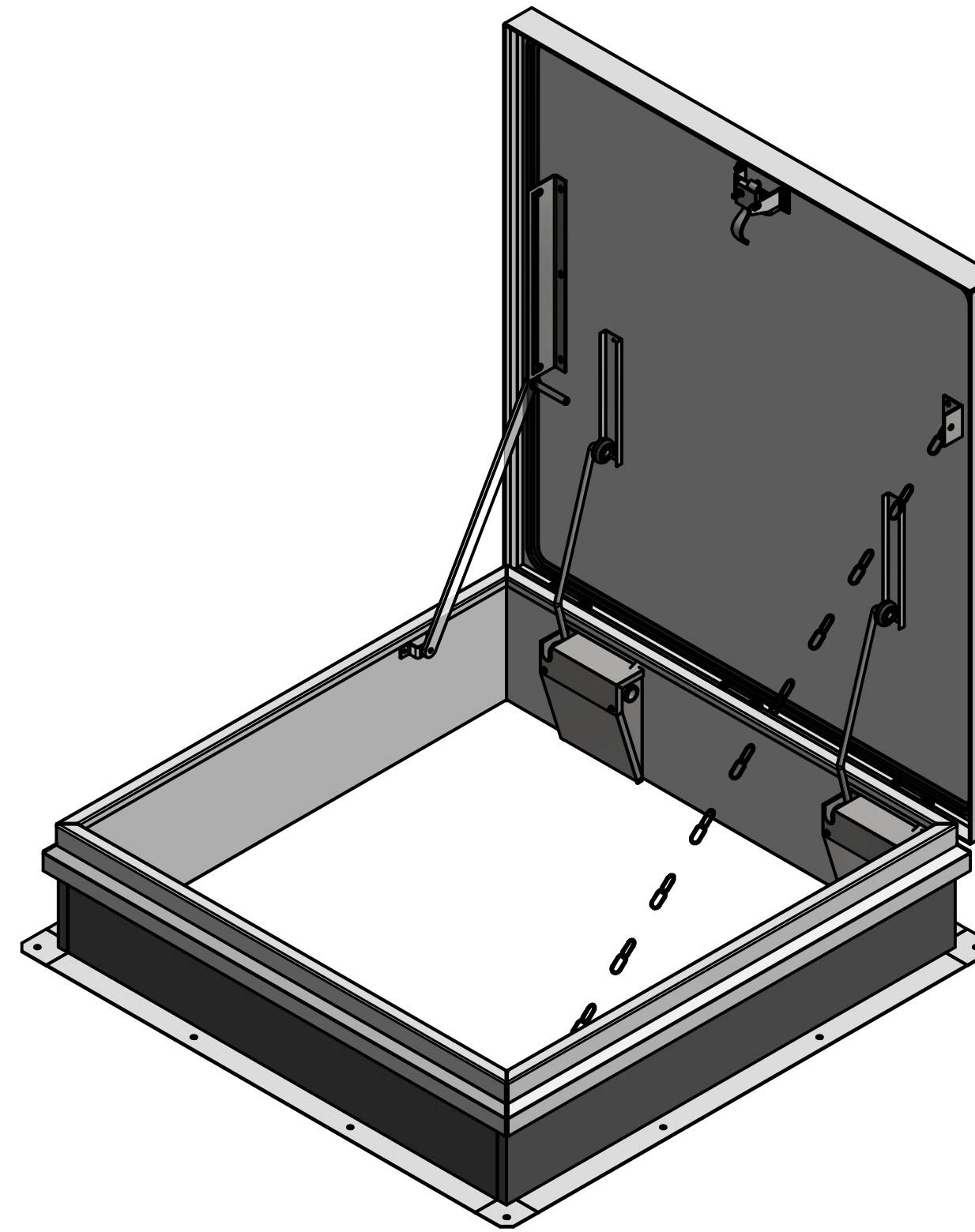
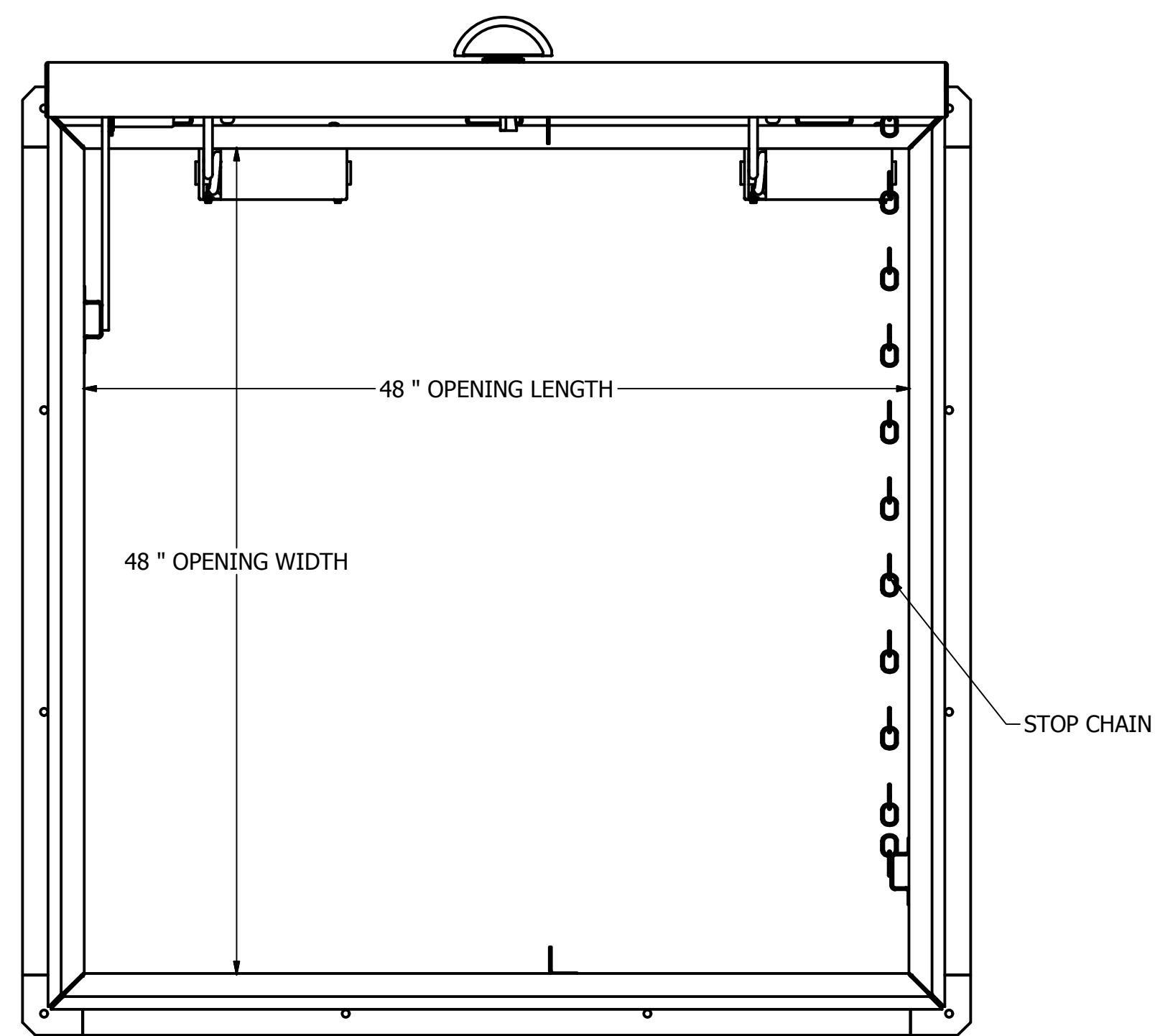
APPROVAL SIGNATURE \_\_\_\_\_

TITLE HELD \_\_\_\_\_

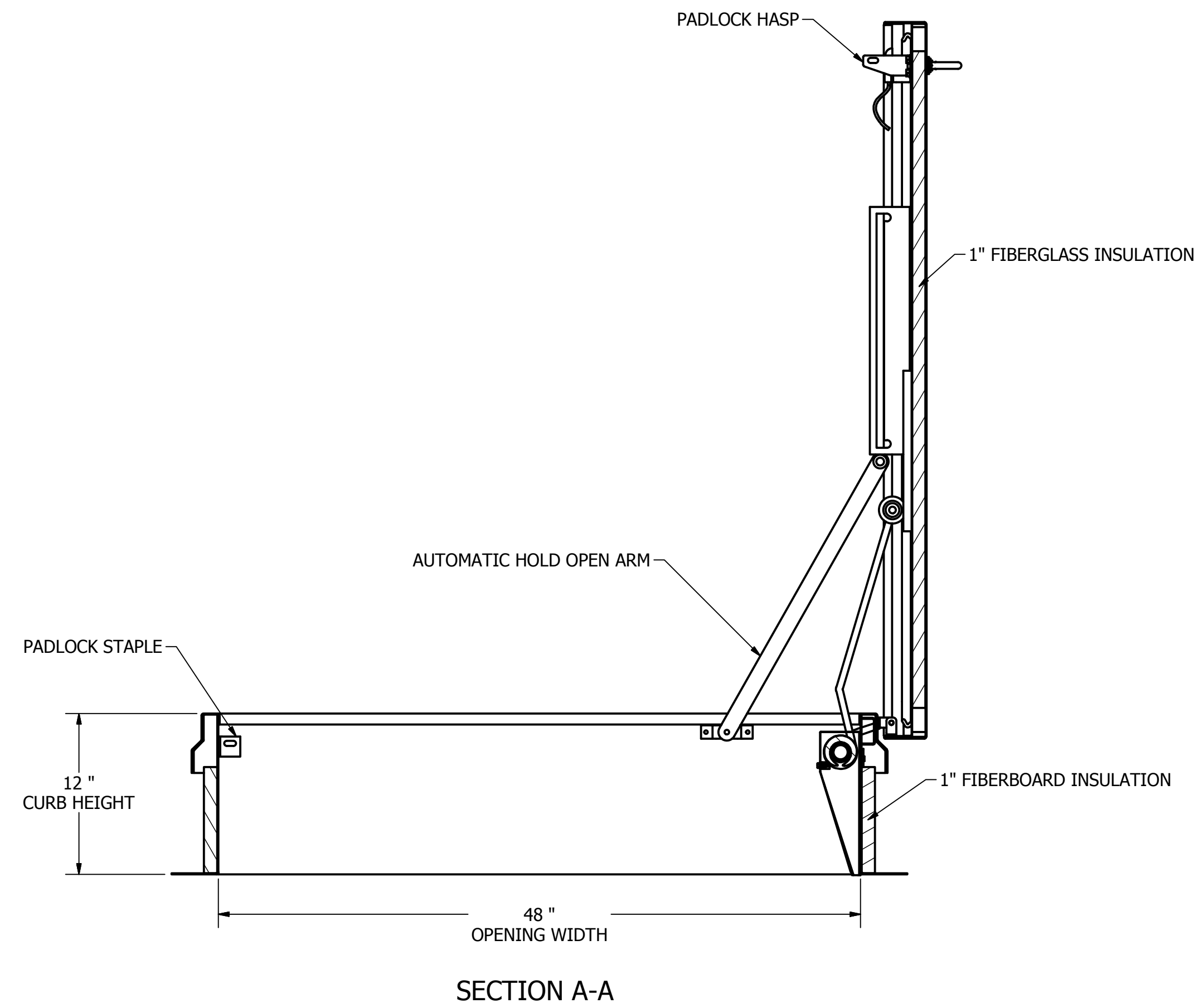
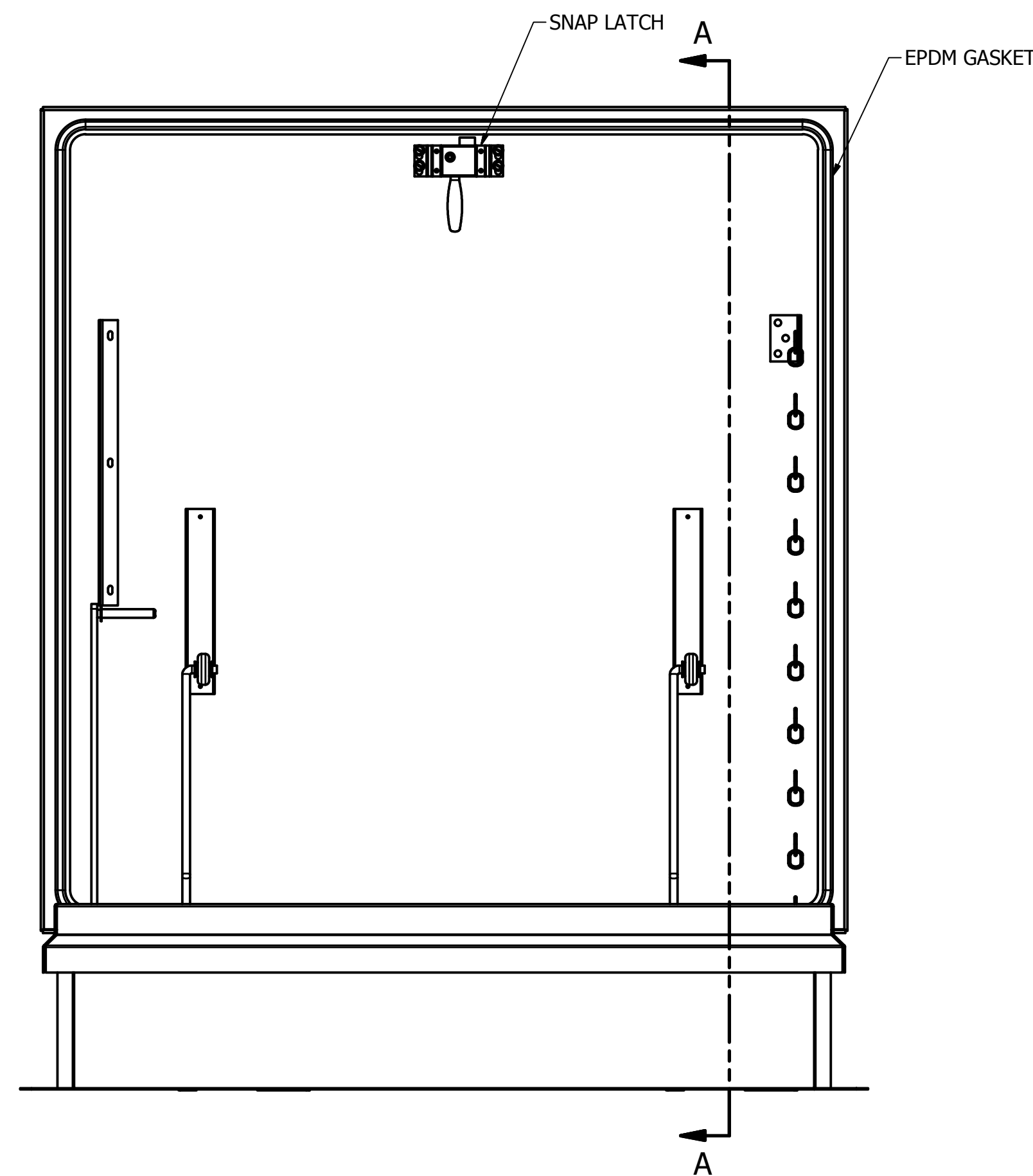
DATE OF APPROVAL \_\_\_\_\_

DRAWN	CMD	2/23/2015	Hart & Cooley Inc. 5030 Corporate Exchange Blvd. SE Grand Rapids, MI. 49512 Ph: 800-624-8642		
CHECKED	<b>MILCOR</b>		TITLE		
QA	TOLERANCE UNLESS SPECIFIED		RB-3 SINGLE LEAF ROOF HATCH		
MFG	.XXX ± 0.005"		SIZE	DWG NO	REV
APPROVED	.XX ± 0.01"		D	3501-118-9	--
	FRACT. ± 1/16"		SCALE	SHEET 1 OF 1	
	ANGLES ± 1'				

8 7 6 5 4 3 2 1



- NOTES:  
 SIZE:RB-4'0"X4'0"  
 1) 40psf COVER LIVE LOAD RATING  
 2) HATCH PAINTED WHITE  
 3) MATERIALS:  
 14ga GALVANIZED, COVER  
 14ga GALVANIZED, CURB  
 14ga GALVANIZED, COUNTER FLASHING  
 22ga GALVANIZED, COVER LINER



ORDER WILL NOT BE RELEASED FOR FABRICATION UNTIL SIGNED COPY IS RECEIVED.

VERIFICATION AND APPROVAL OF GENERAL ARRANGEMENT AND OVERALL DIMENSIONS FOR THIS DOCUMENT ARE REQUIRED BEFORE THE ORDER IS ENTERED FOR MANUFACTURING.

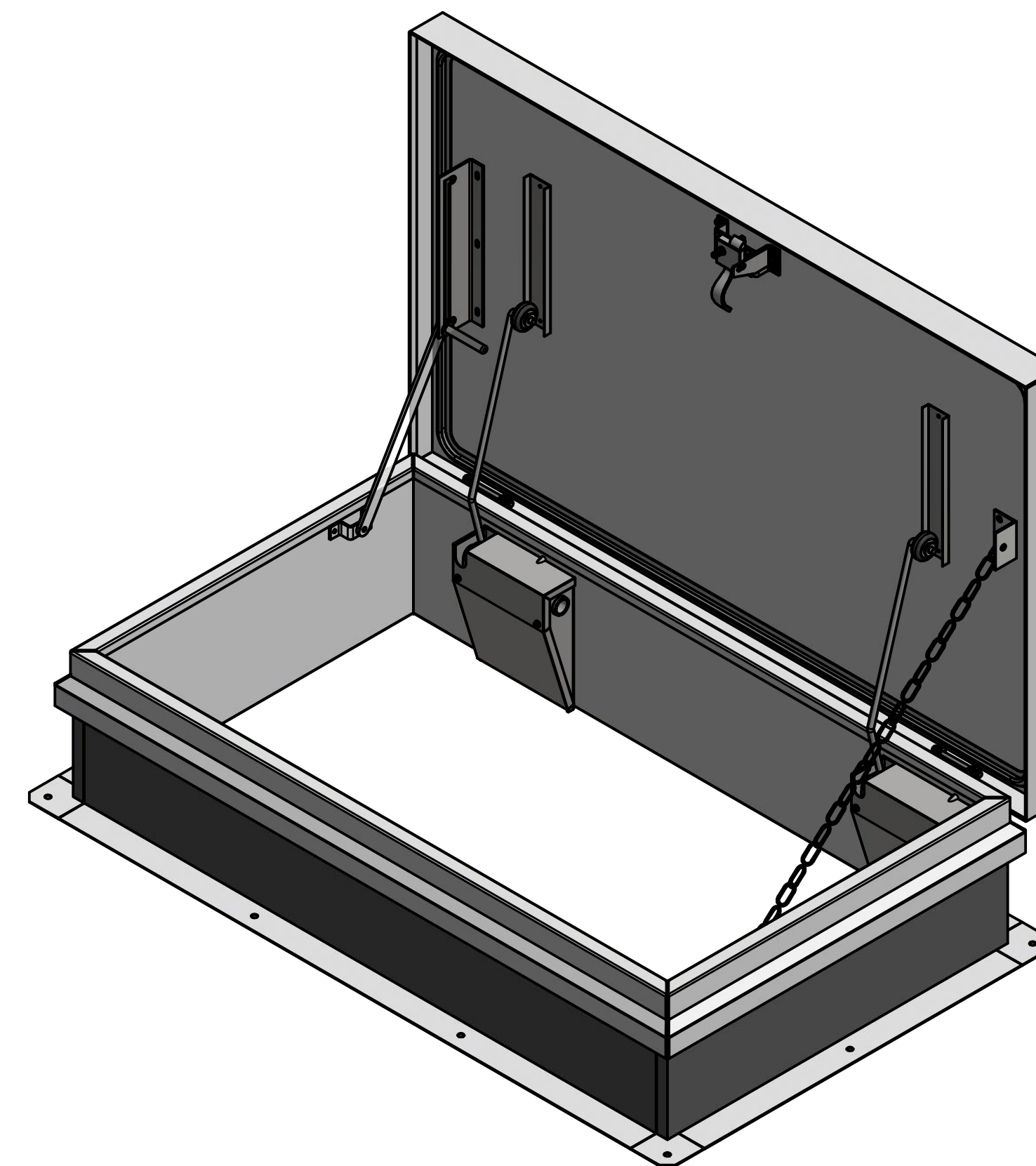
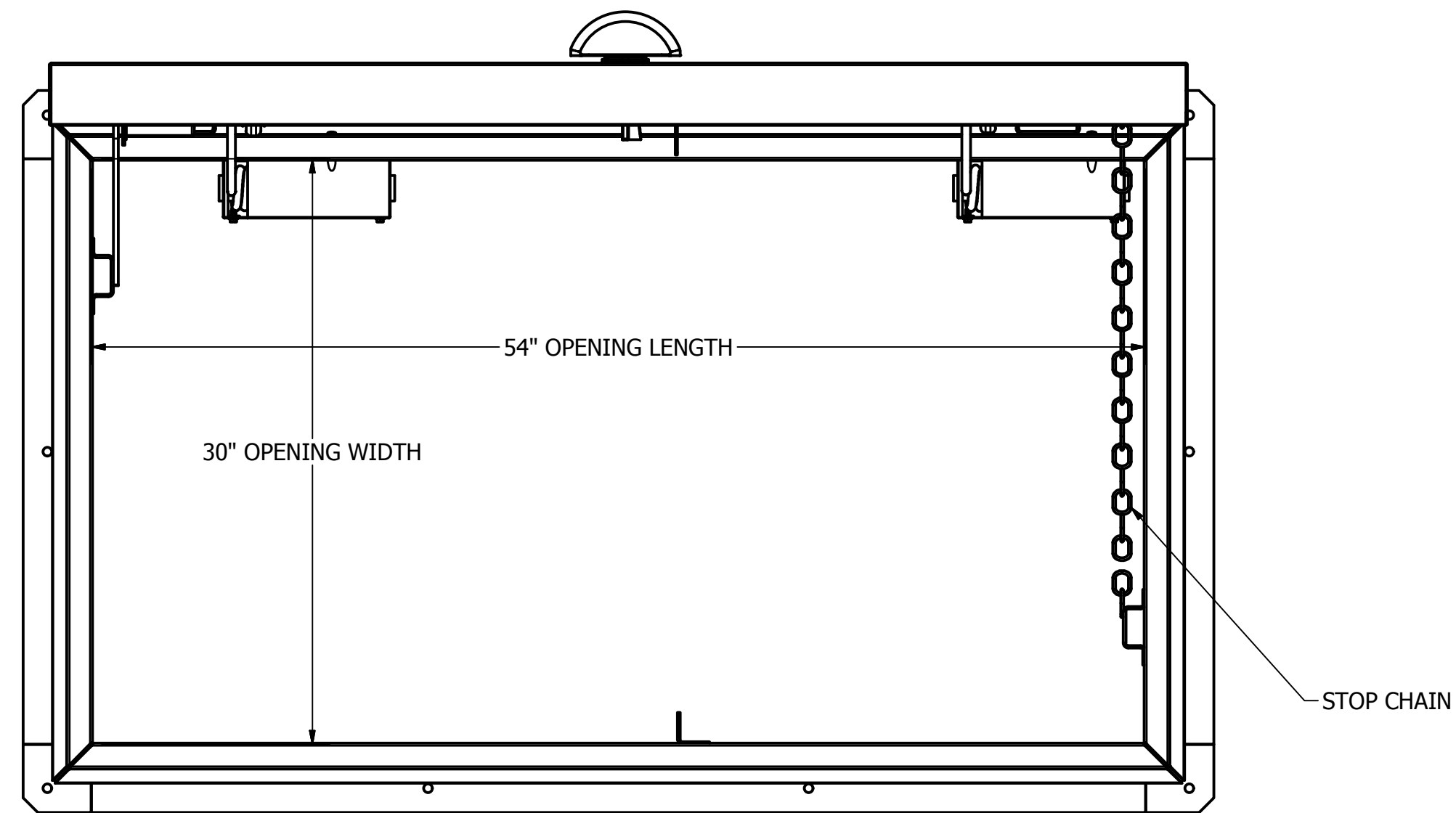
APPROVAL SIGNATURE \_\_\_\_\_

TITLE HELD \_\_\_\_\_

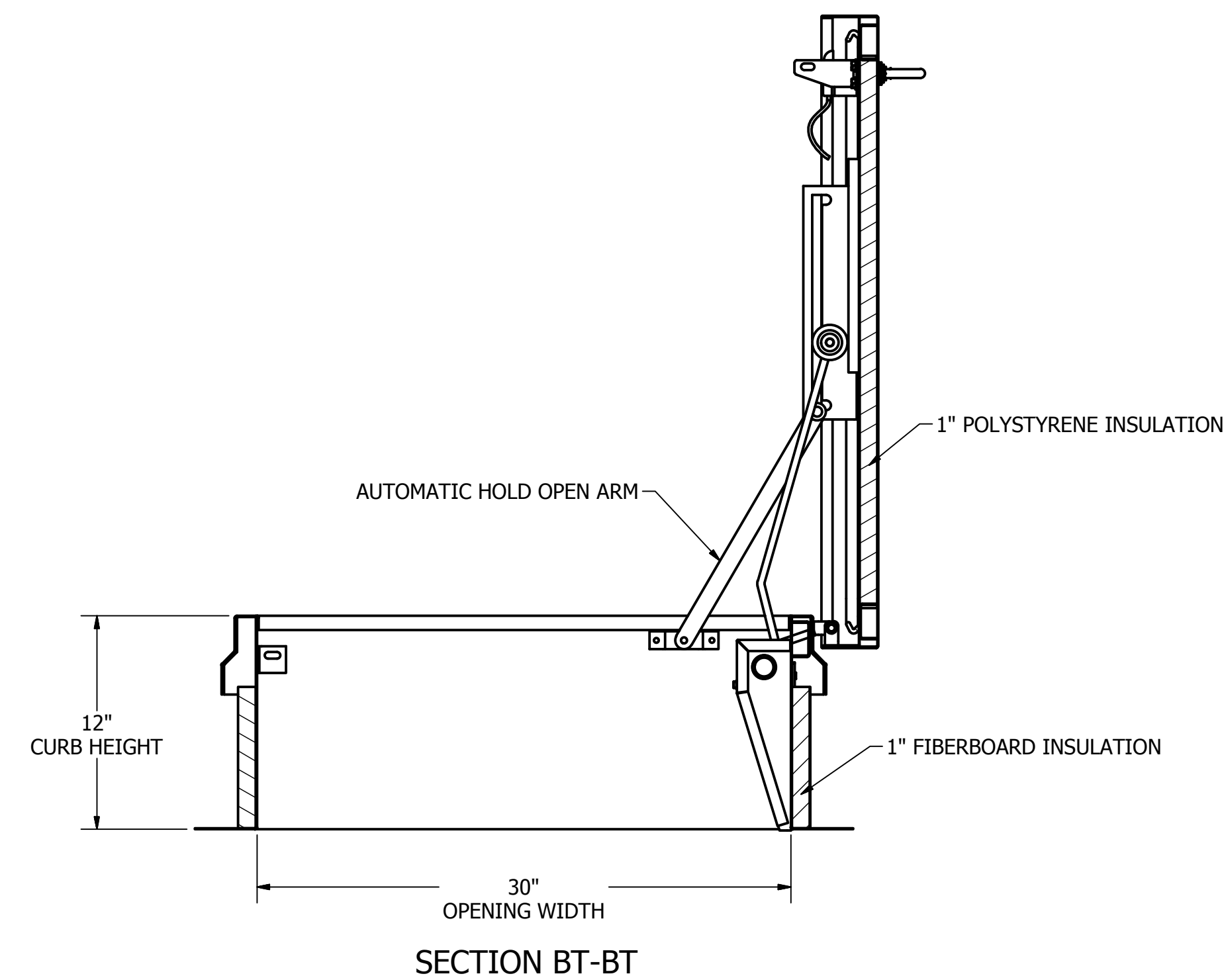
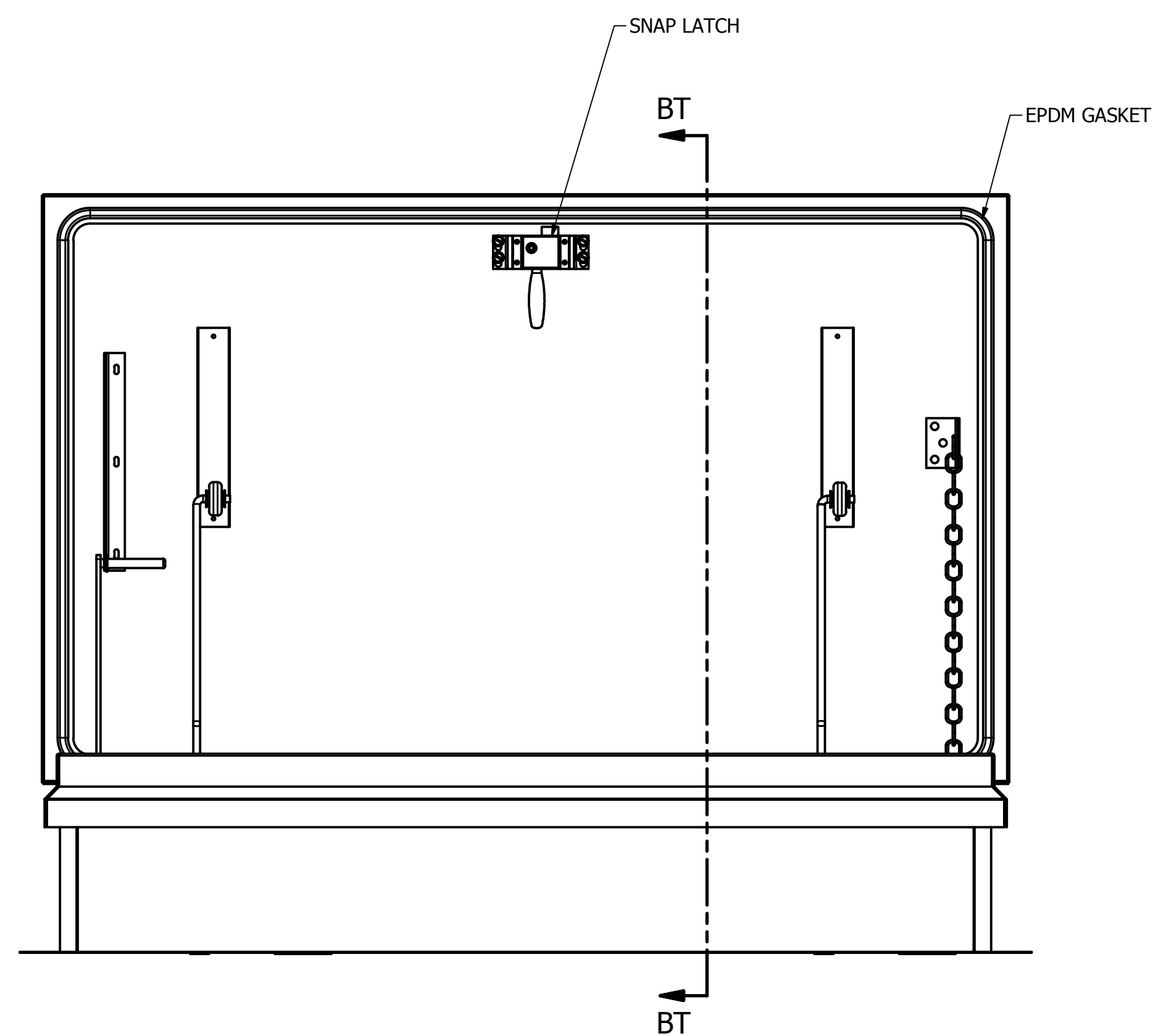
DATE OF APPROVAL \_\_\_\_\_

DRAWN	CMD	2/23/2015	Hart & Cooley Inc. 5030 Corporate Exchange Blvd. SE Grand Rapids, MI. 49512 Ph: 800-624-8642		
CHECKED	<b>MILCOR</b>		TITLE		
QA	TOLERANCE UNLESS SPECIFIED		RB-4X4 SINGLE LEAF ROOF HATCH		
MFG	.XXX ± 0.005"		SIZE	DWG NO	REV
APPROVED	.XX ± 0.01"		D	3501-304-9	--
	FRACT. ± 1/16"		SCALE		
	ANGLES ± 1'		SHEET 1 OF 1		





- NOTES:  
 SIZE: RBS-2'6"X4'6"  
 1) 70psf COVER LIVE LOAD RATING  
 2) HATCH PAINTED WHITE  
 3) MATERIALS:  
 18ga GALVANIZED, COVER  
 16ga GALVANIZED, CURB  
 16ga GALVANIZED, COUNTER FLASHING  
 22ga GALVANIZED, COVER LINER



ORDER WILL NOT BE RELEASED FOR FABRICATION UNTIL SIGNED COPY IS RECEIVED.

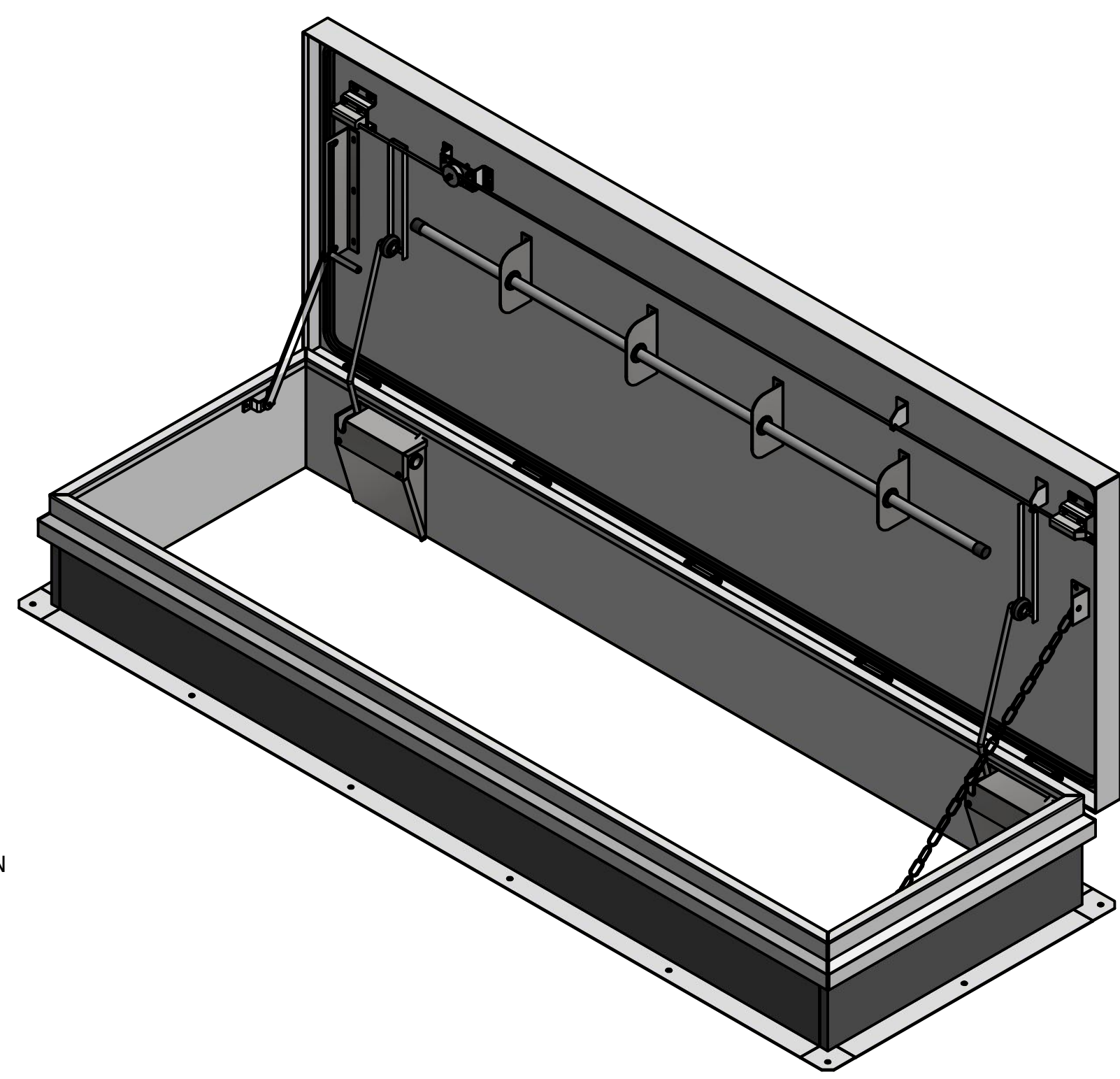
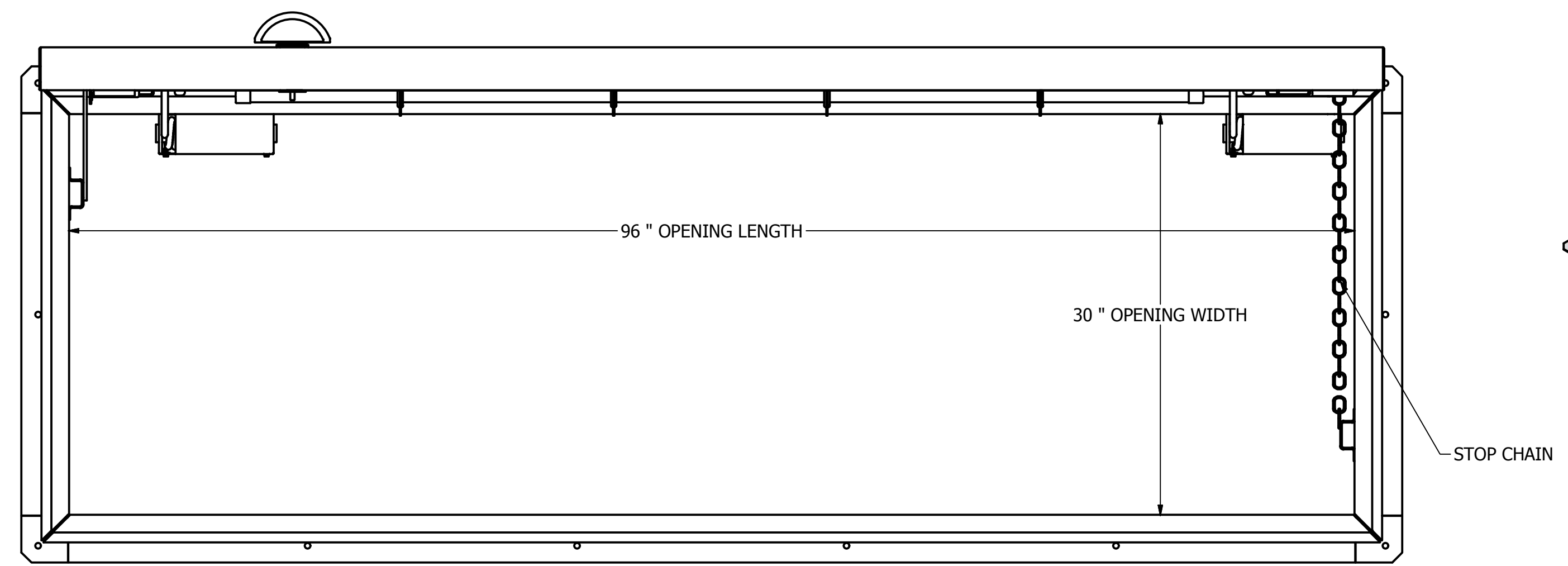
VERIFICATION AND APPROVAL OF GENERAL ARRANGEMENT AND OVERALL DIMENSIONS FOR THIS DOCUMENT ARE REQUIRED BEFORE THE ORDER IS ENTERED FOR MANUFACTURING.

APPROVAL SIGNATURE \_\_\_\_\_

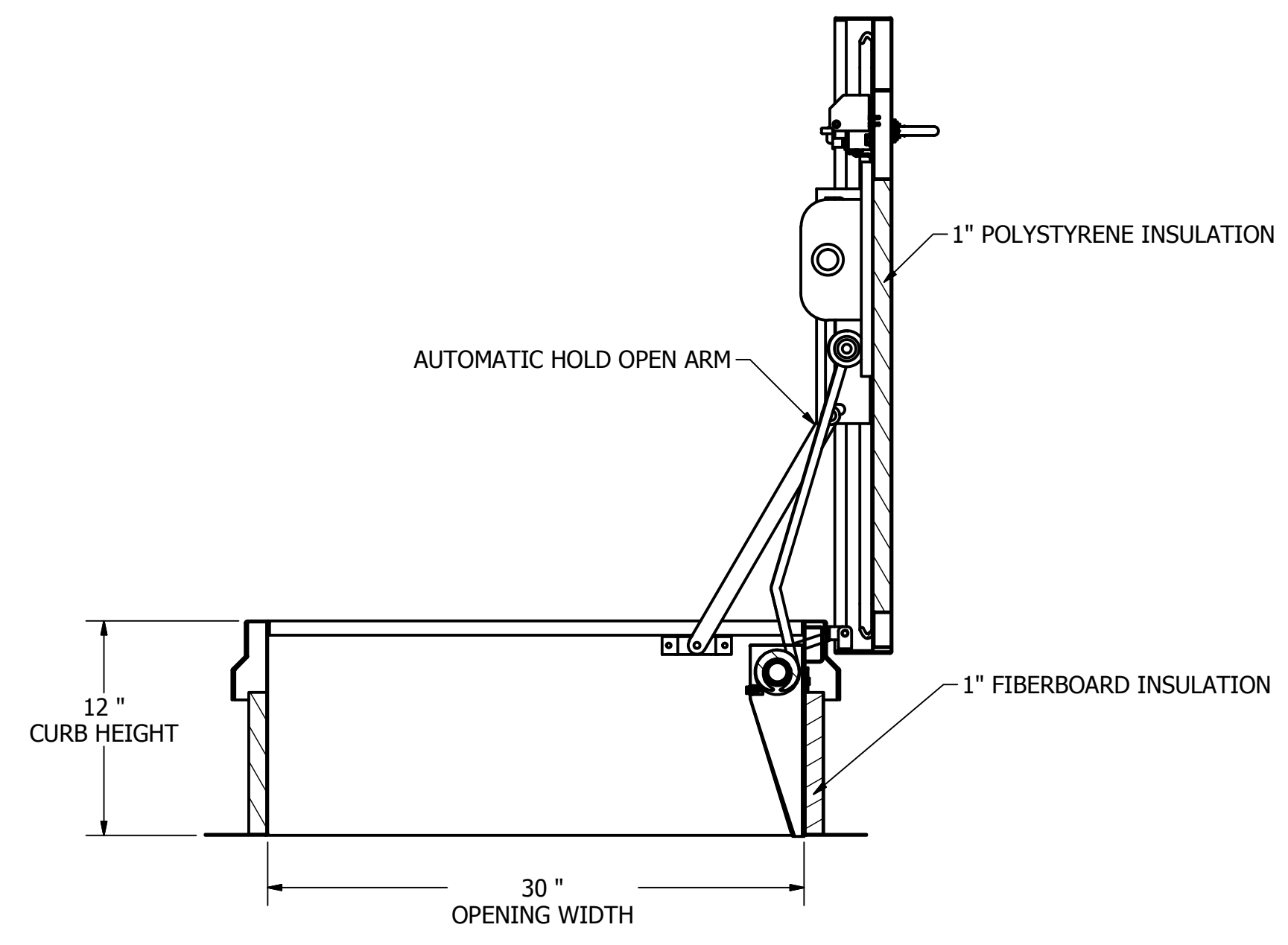
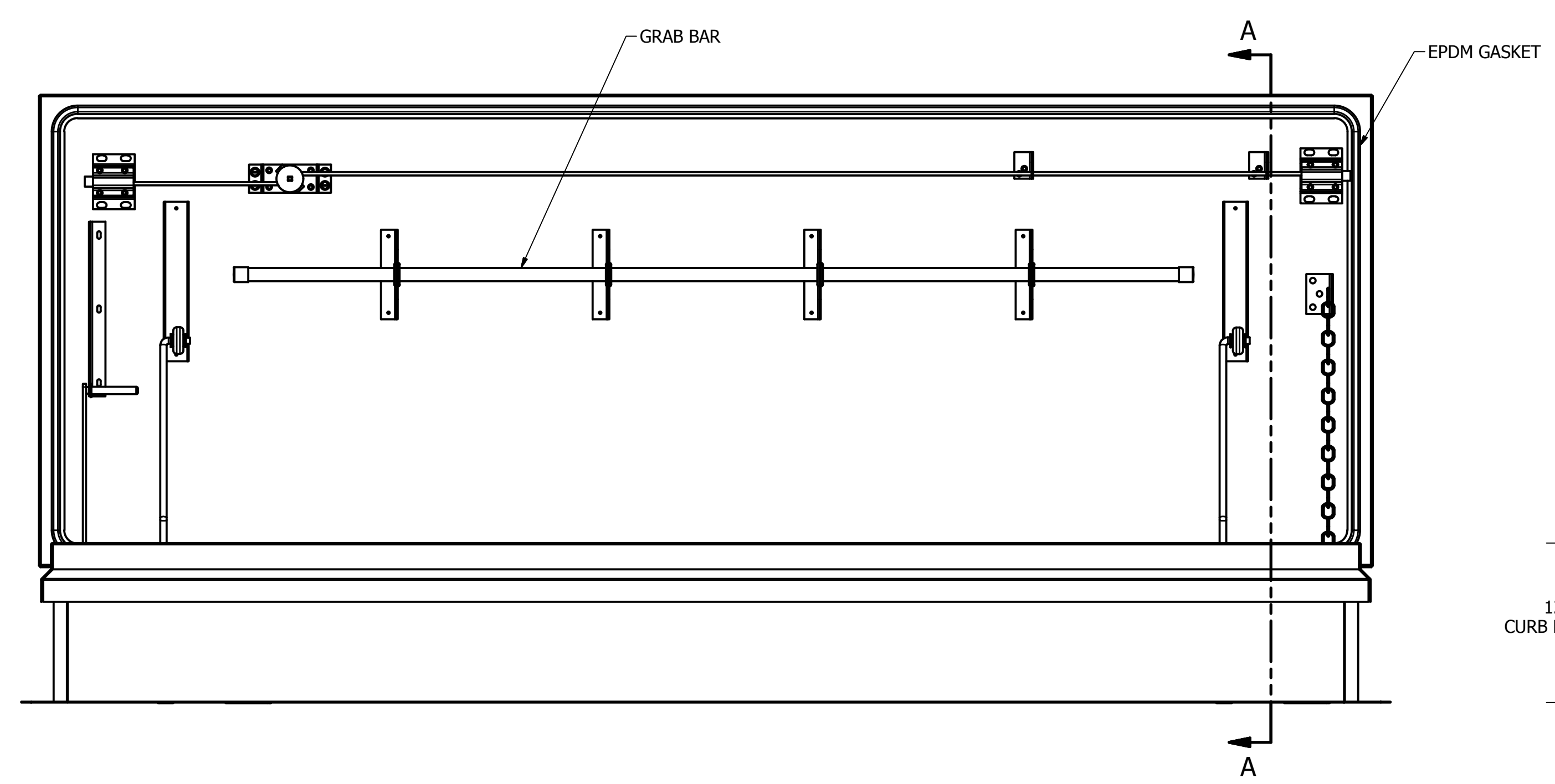
TITLE HELD \_\_\_\_\_

DATE OF APPROVAL \_\_\_\_\_

DRAWN	CMD	2/23/2015	Hart & Cooley Inc. Fax: 855-549-2674 www.hartandcooleyinc.com		
CHECKED	<b>MILCOR</b>		5030 Corporate Exchange Blvd. SE Grand Rapids, MI. 49512 Ph: 800-624-8642		
QA		TOLERANCE UNLESS SPECIFIED	TITLE		
MFG		.XXX ± 0.005"	RBS-2 SINGLE LEAF ROOF HATCH		
APPROVED		.XX ± 0.01"	SIZE	DWG NO	REV
		FRACT. ± 1/16"	D	3501-116-9	--
		ANGLES ± 1'	SCALE		SHEET 1 OF 1



NOTES:  
 SIZE: RBS-2'6"X8'0"  
 1) 70psf COVER LIVE LOAD RATING  
 2) HATCH PAINTED WHITE  
 3) MATERIALS:  
 18ga GALVANIZED, COVER  
 16ga GALVANIZED, CURB  
 16ga GALVANIZED, COUNTER FLASHING  
 22ga GALVANIZED, COVER LINER



ORDER WILL NOT BE RELEASED FOR FABRICATION UNTIL SIGNED COPY IS RECEIVED.

VERIFICATION AND APPROVAL OF GENERAL ARRANGEMENT AND OVERALL DIMENSIONS FOR THIS DOCUMENT ARE REQUIRED BEFORE THE ORDER IS ENTERED FOR MANUFACTURING.

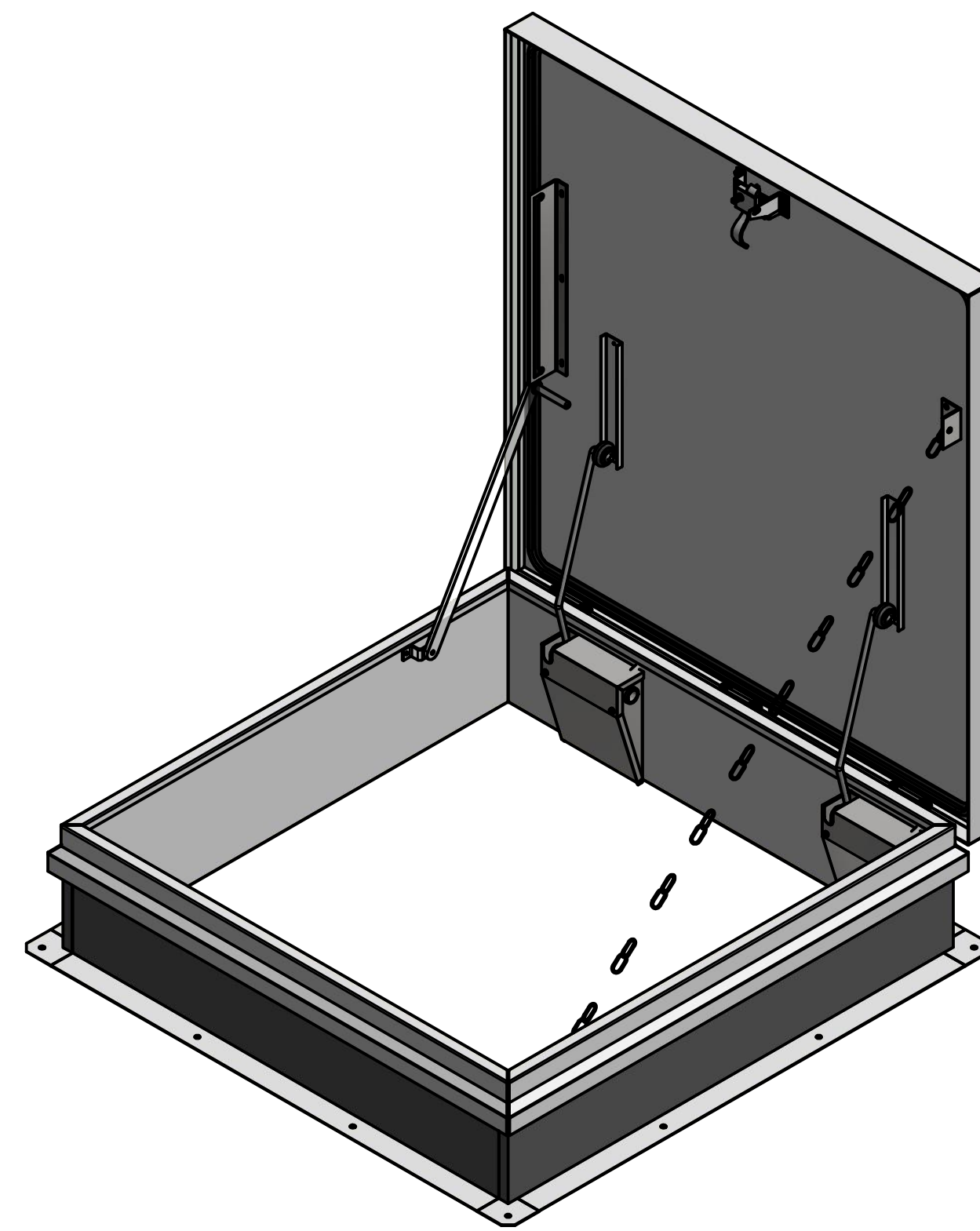
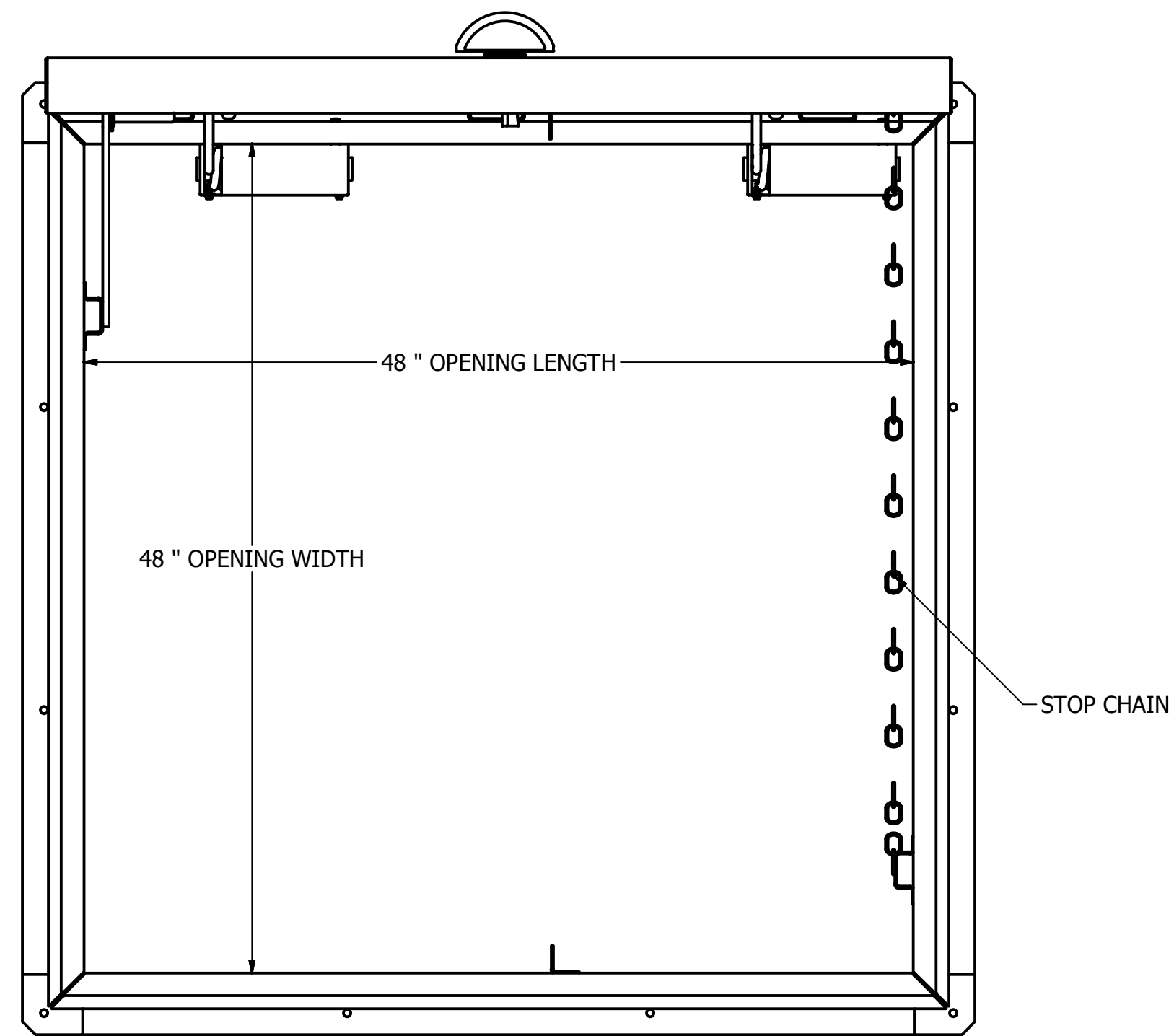
APPROVAL SIGNATURE \_\_\_\_\_

TITLE HELD \_\_\_\_\_

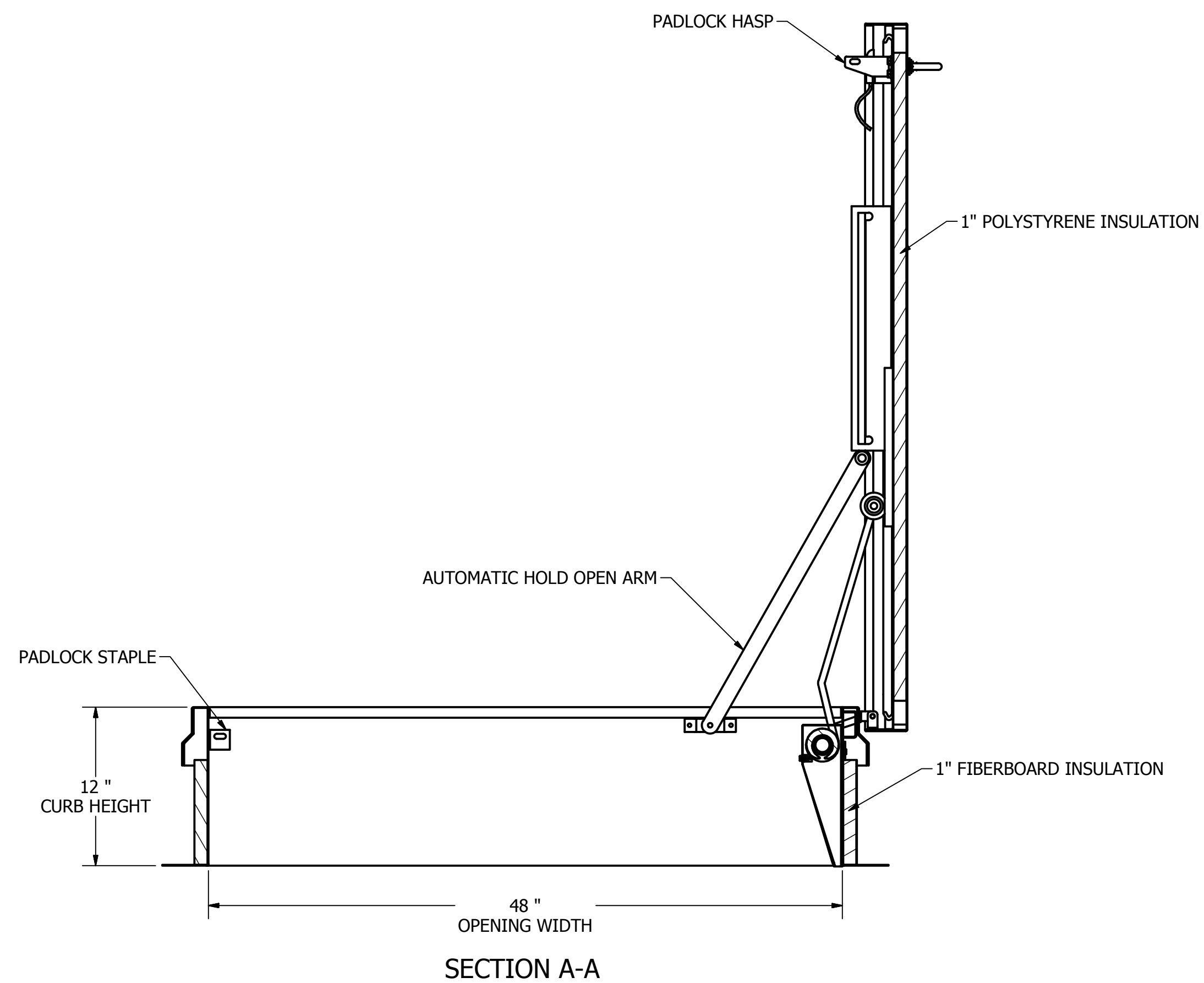
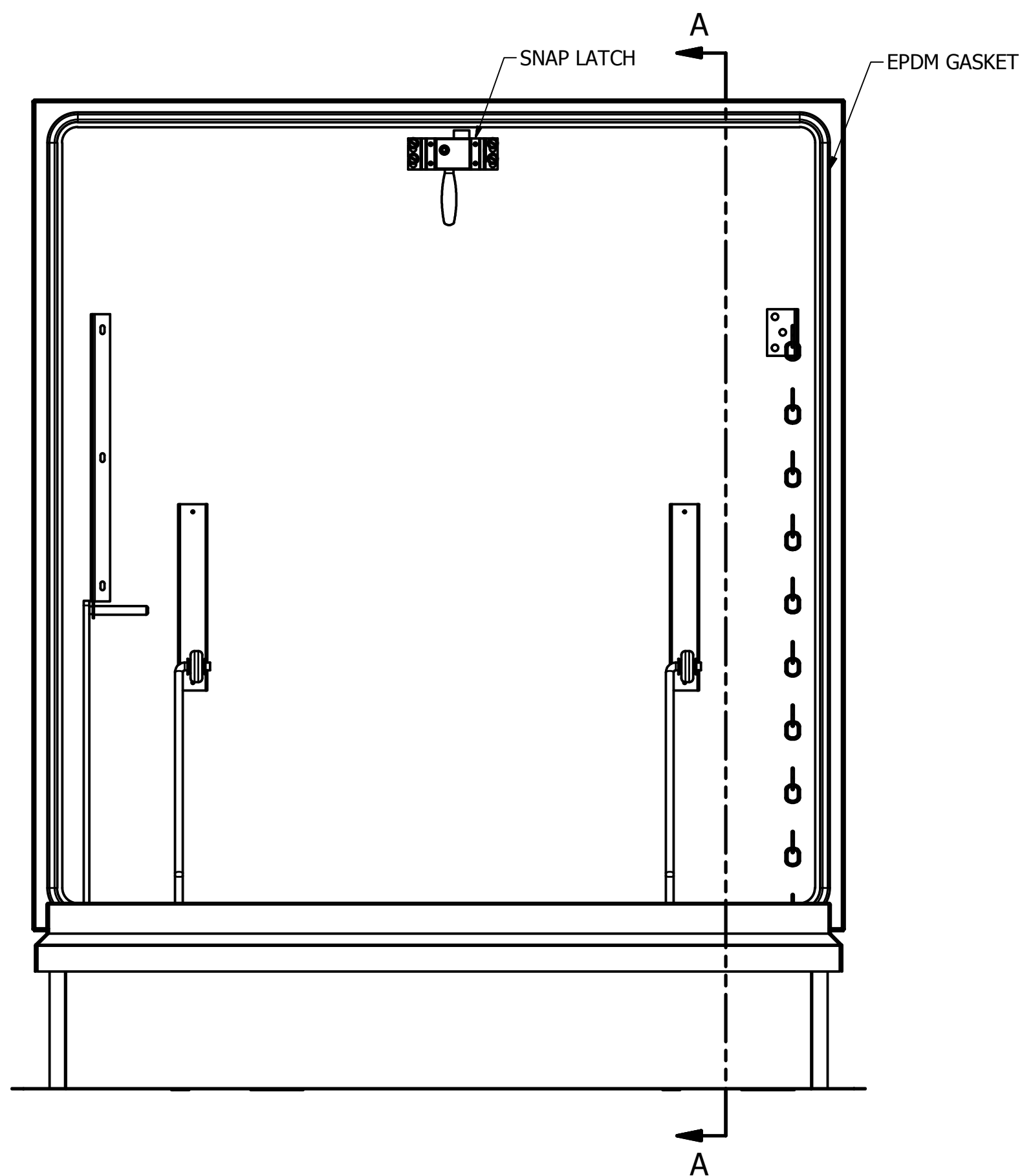
DATE OF APPROVAL \_\_\_\_\_

DRAWN	CMD	2/23/2015	Hart & Cooley Inc. Fax: 855-549-2674 www.hartandcooleyinc.com		
CHECKED	<b>MILCOR</b>		5030 Corporate Exchange Blvd. SE Grand Rapids, MI. 49512 Ph: 800-624-8642		
QA	TOLERANCE UNLESS SPECIFIED		TITLE		
MFG	.XXX ± 0.005"		RBS-3 SINGLE LEAF ROOF HATCH		
APPROVED	.XX ± 0.01"		SIZE	DWG NO	REV
	FRACT. ± 1/16"		D	3501-119-9	--
	ANGLES ± 1'		SCALE	SHEET 1 OF 1	





- NOTES:  
 SIZE: RBS-4'0"X4'0"  
 1) 70psf COVER LIVE LOAD RATING  
 2) HATCH PAINTED WHITE  
 3) MATERIALS:  
 18ga GALVANIZED, COVER  
 16ga GALVANIZED, CURB  
 16ga GALVANIZED, COUNTER FLASHING  
 22ga GALVANIZED, COVER LINER



ORDER WILL NOT BE RELEASED FOR FABRICATION UNTIL SIGNED COPY IS RECEIVED.

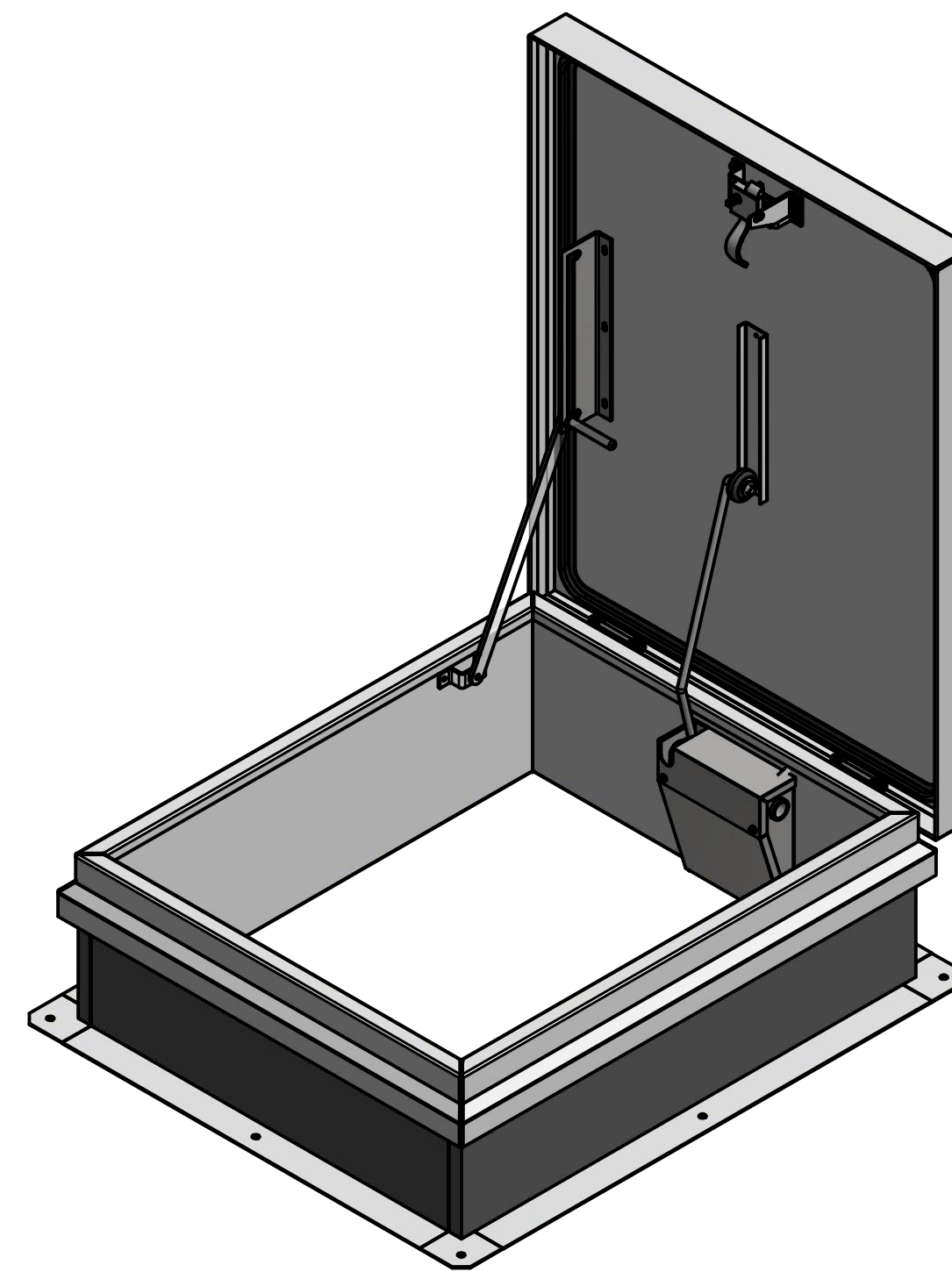
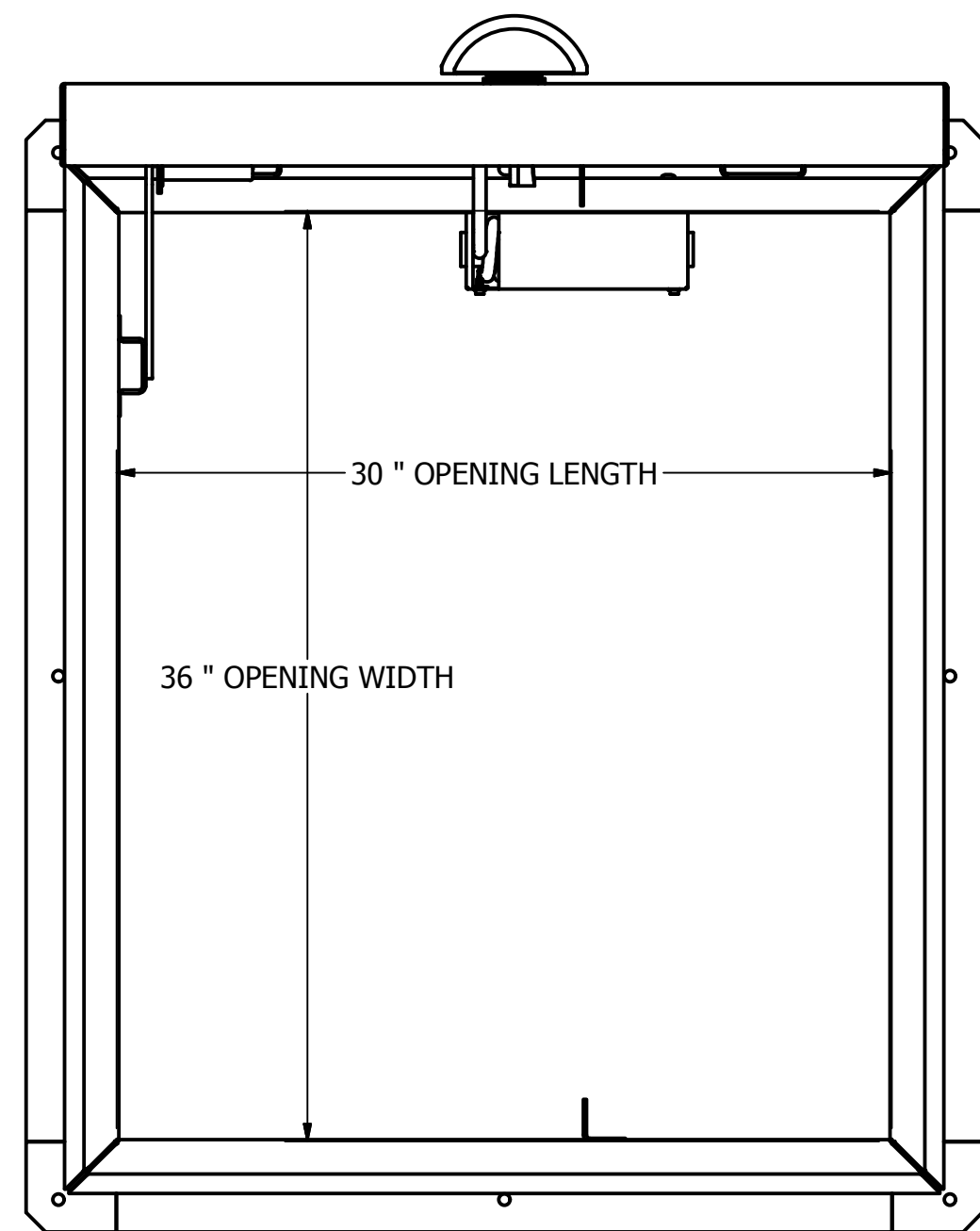
VERIFICATION AND APPROVAL OF GENERAL ARRANGEMENT AND OVERALL DIMENSIONS FOR THIS DOCUMENT ARE REQUIRED BEFORE THE ORDER IS ENTERED FOR MANUFACTURING.

APPROVAL SIGNATURE \_\_\_\_\_

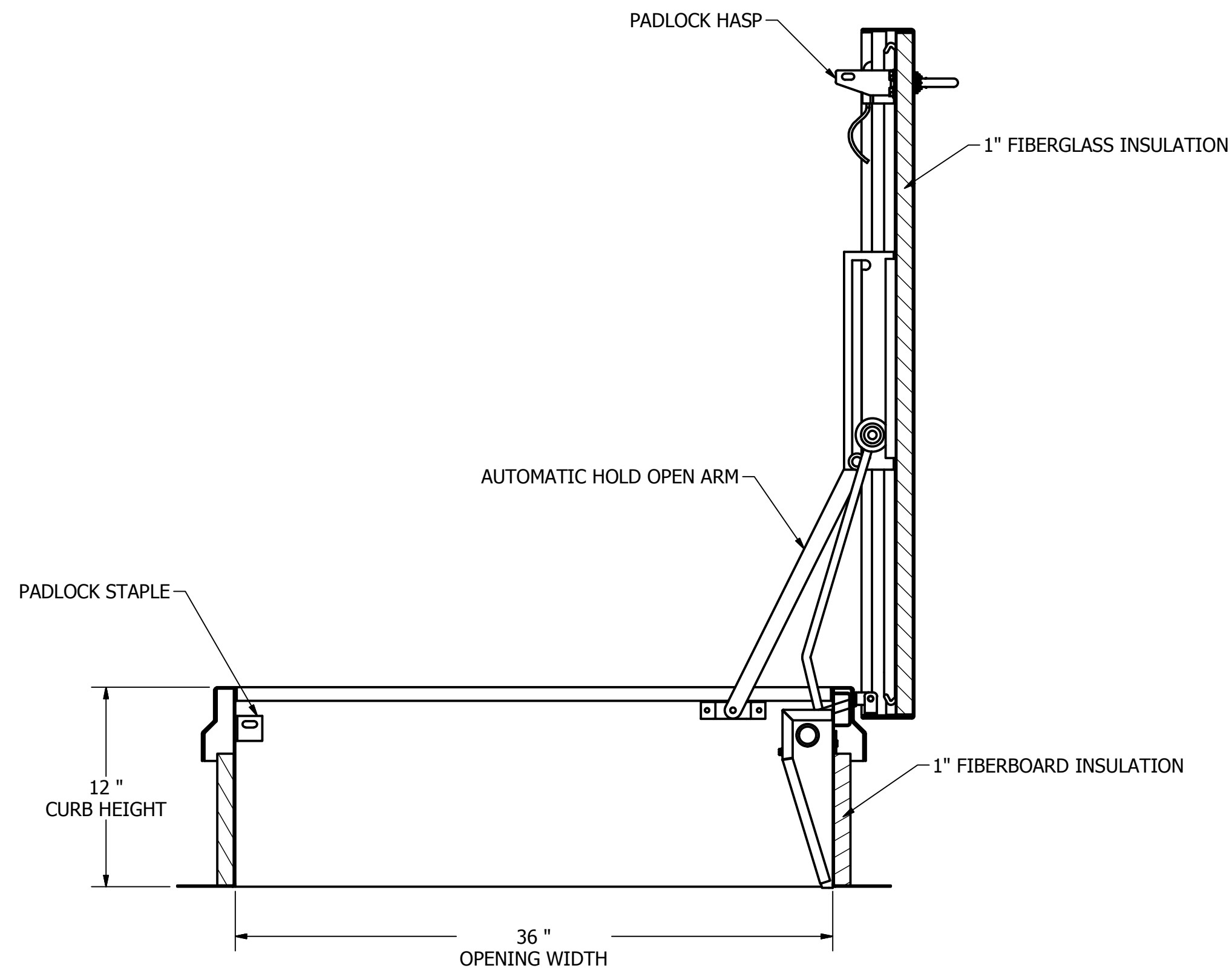
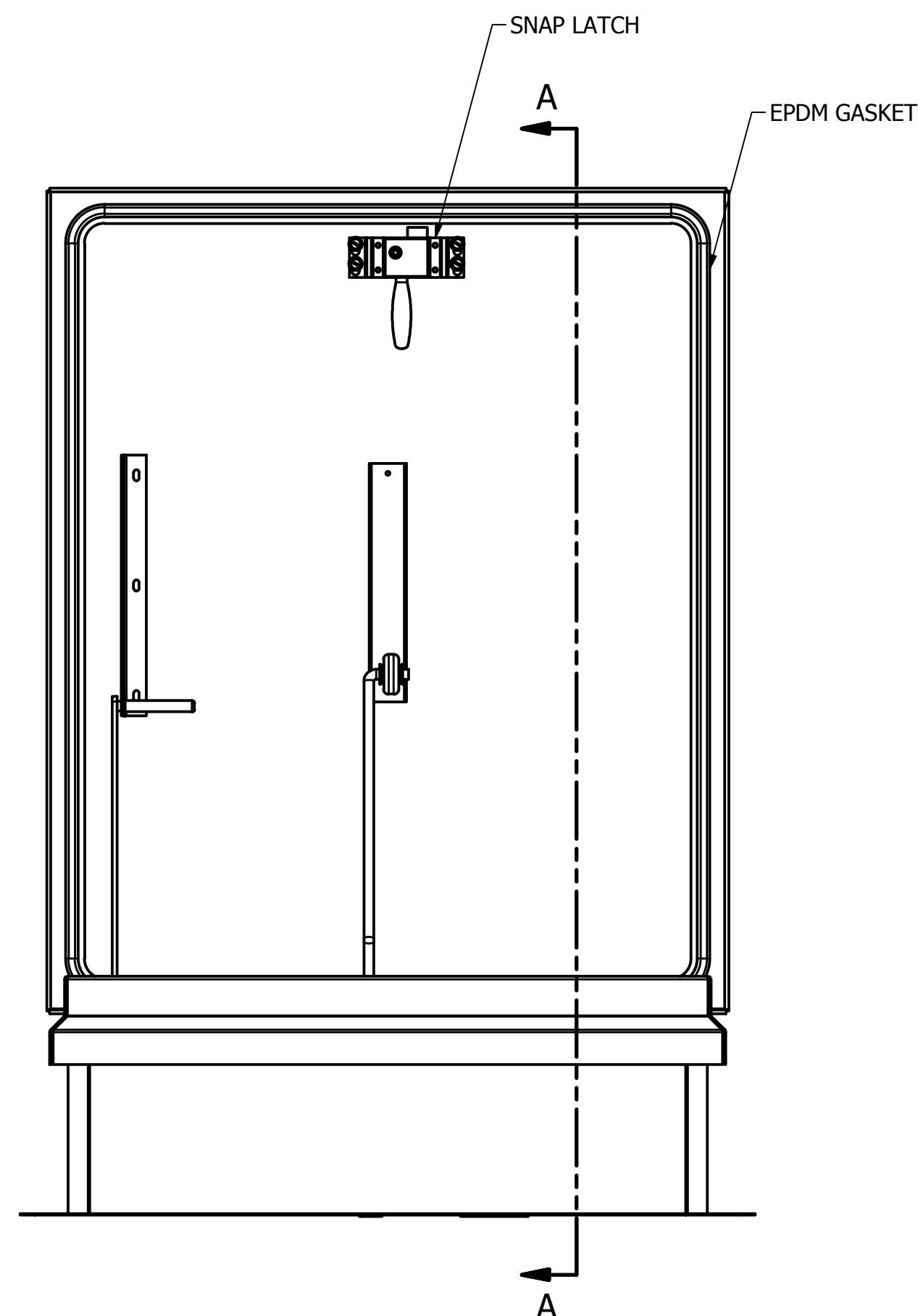
TITLE HELD \_\_\_\_\_

DATE OF APPROVAL \_\_\_\_\_

DRAWN	CMD	2/23/2015	Hart & Cooley Inc. Fax: 855-549-2674 www.hartandcooleyinc.com		
CHECKED	<b>MILCOR</b>		5030 Corporate Exchange Blvd. SE Grand Rapids, MI. 49512 Ph: 800-624-8642		
QA	TOLERANCE UNLESS SPECIFIED		TITLE		
MFG	.XXX ± 0.005"		RBS-4X4 SINGLE LEAF ROOF HATCH		
APPROVED	.XX ± 0.01"		SIZE	DWG NO	REV
	FRACT. ± 1/16"		D	3501-302-9	--
	ANGLES ± 1'		SCALE	SHEET 1 OF 1	



- NOTES:
- SIZE: RC-3'0"X2'6"
- 1) 40psf COVER LIVE LOAD RATING
  - 2) MILL FINISH
  - 3) MATERIALS:
    - .090 ALUMINUM, COVER
    - 14ga GALVANIZED, CURB
    - 14ga GALVANIZED, COUNTER FLASHING
    - .063 ALUMINUM, COVER LINER



SECTION A-A

ORDER WILL NOT BE RELEASED FOR FABRICATION UNTIL SIGNED COPY IS RECEIVED.

VERIFICATION AND APPROVAL OF GENERAL ARRANGEMENT AND OVERALL DIMENSIONS FOR THIS DOCUMENT ARE REQUIRED BEFORE THE ORDER IS ENTERED FOR MANUFACTURING.

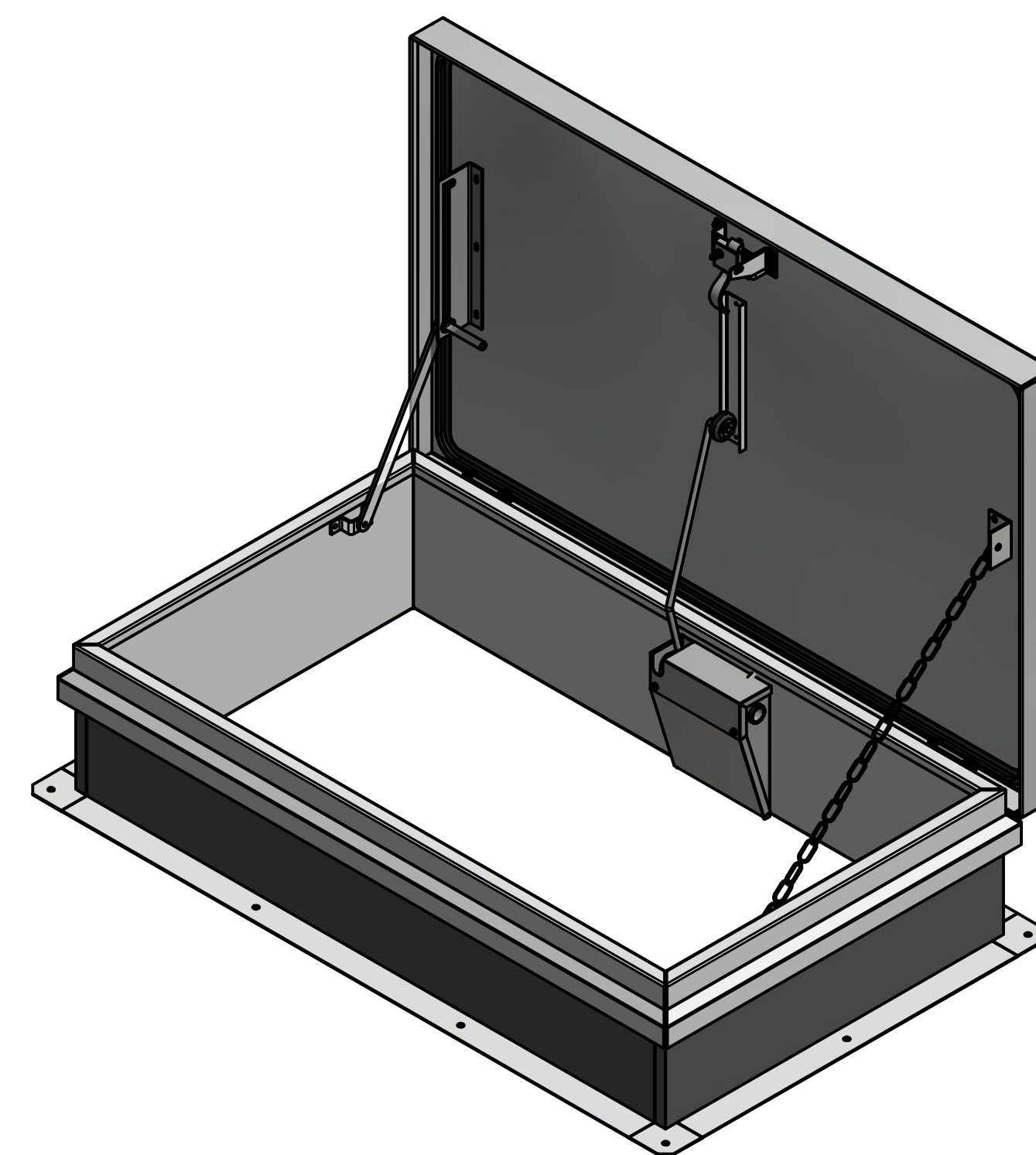
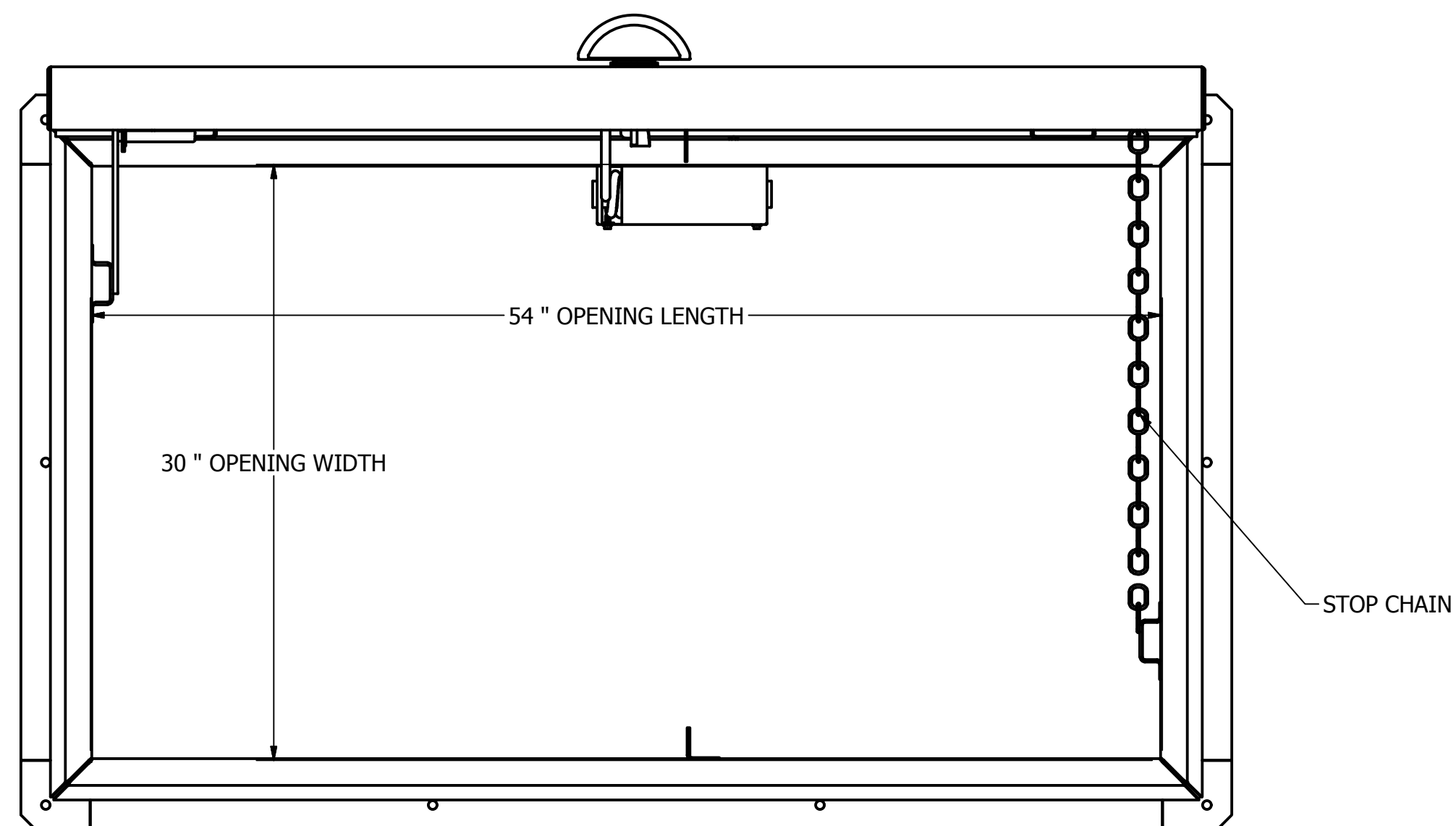
APPROVAL SIGNATURE \_\_\_\_\_

TITLE HELD \_\_\_\_\_

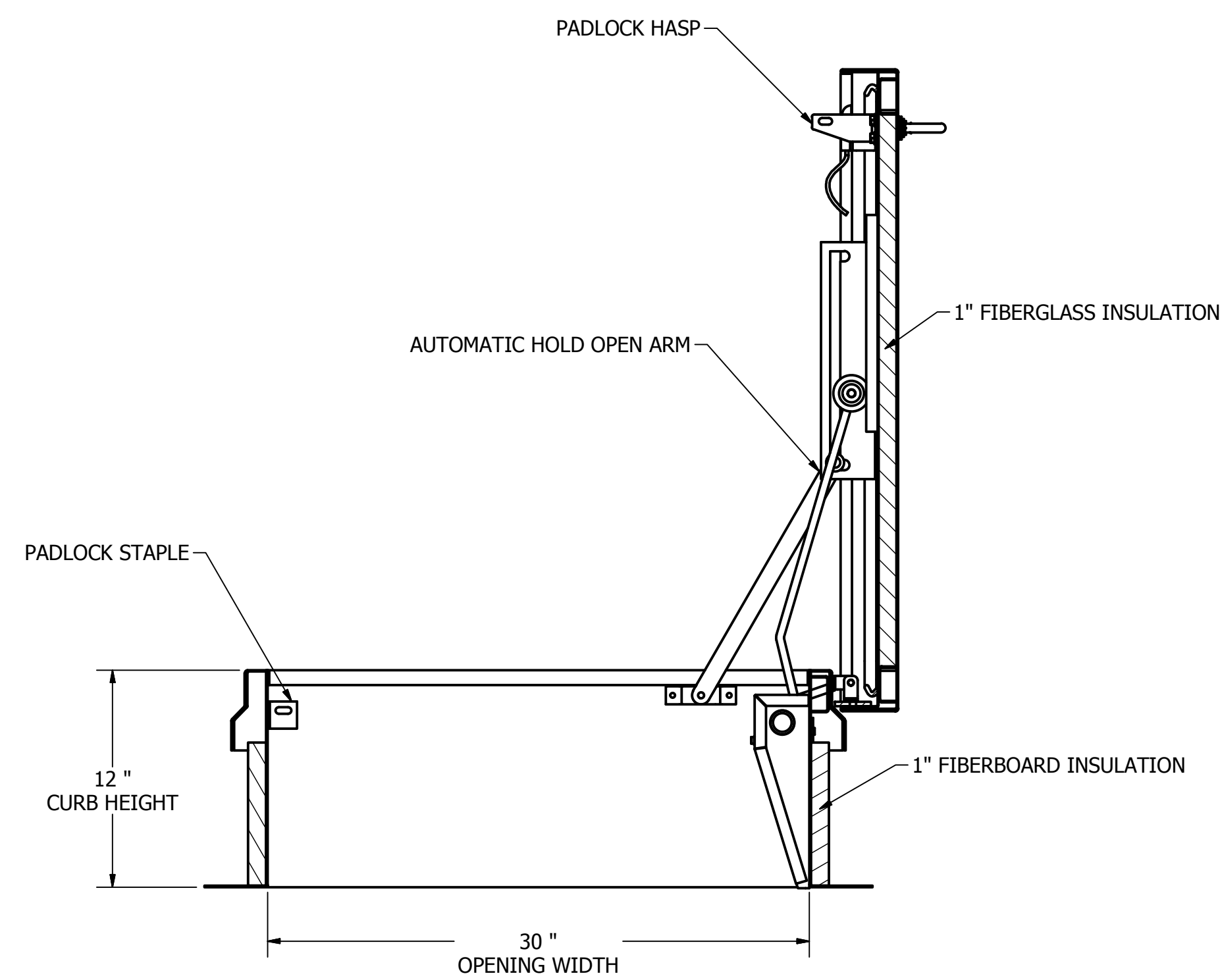
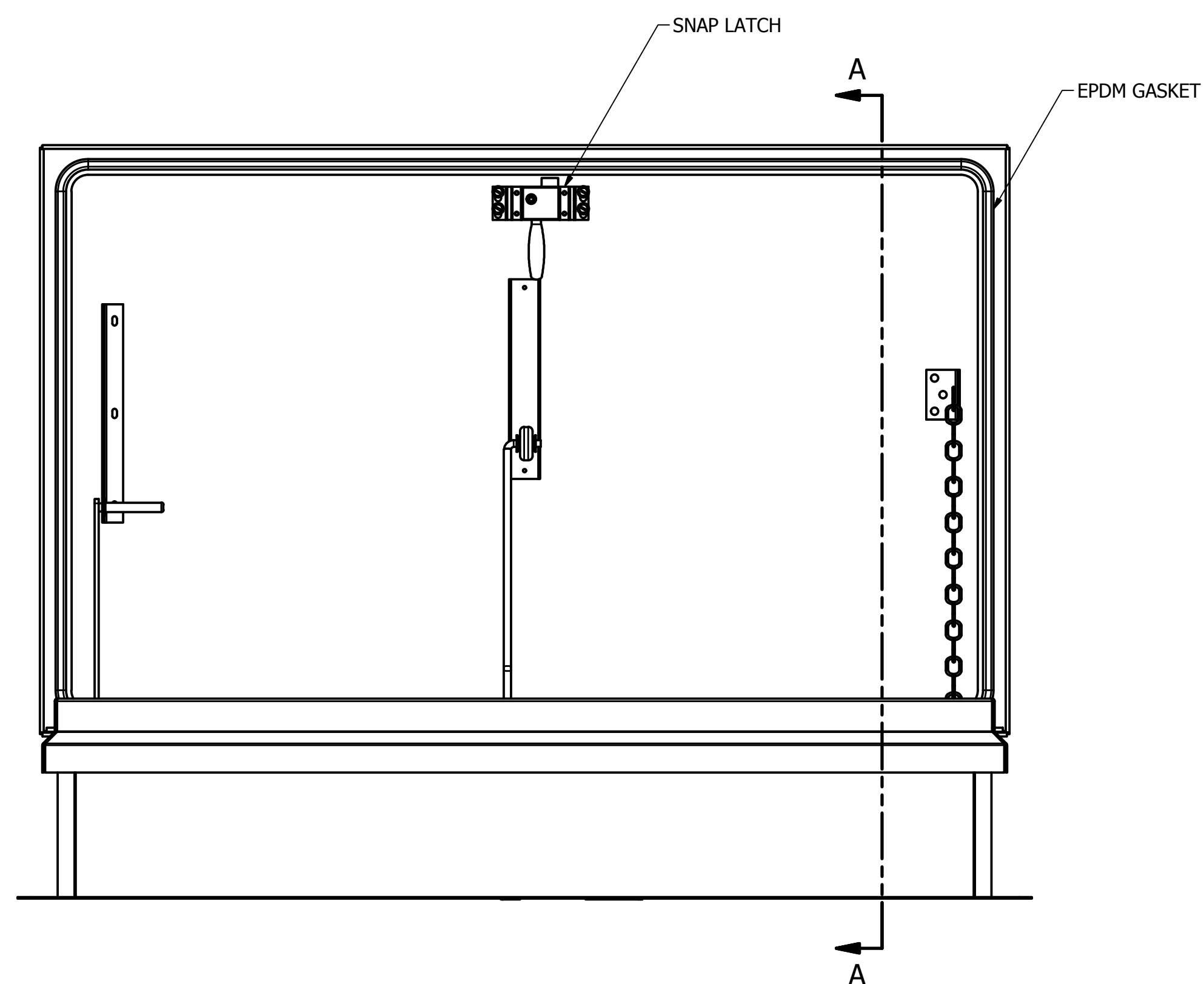
DATE OF APPROVAL \_\_\_\_\_

DRAWN	CMD	2/23/2015	Hart & Cooley Inc.		
CHECKED	<b>MILCOR</b>		5030 Corporate Exchange Blvd. SE Grand Rapids, MI. 49512 Ph: 800-624-8642		
QA	TOLERANCE UNLESS SPECIFIED		TITLE		
MFG	.XXX ± 0.005"		RC-1 SINGLE LEAF ROOF HATCH		
APPROVED	.XX ± 0.01"		SIZE	DWG NO	REV
	FRACT. ± 1/16"		D	3501-122-9	--
	ANGLES ± 1'		SCALE	SHEET 1 OF 1	





- NOTES:
- SIZE: RC-2'6"X4'6"
- 1) 40psf COVER LIVE LOAD RATING
  - 2) MILL FINISH
  - 3) MATERIALS:
    - .090 ALUMINUM, COVER
    - 14ga GALVANIZED, CURB
    - 14ga GALVANIZED, COUNTER FLASHING
    - .063 ALUMINUM, COVER LINER



SECTION A-A

ORDER WILL NOT BE RELEASED FOR FABRICATION UNTIL SIGNED COPY IS RECEIVED.

VERIFICATION AND APPROVAL OF GENERAL ARRANGEMENT AND OVERALL DIMENSIONS FOR THIS DOCUMENT ARE REQUIRED BEFORE THE ORDER IS ENTERED FOR MANUFACTURING.

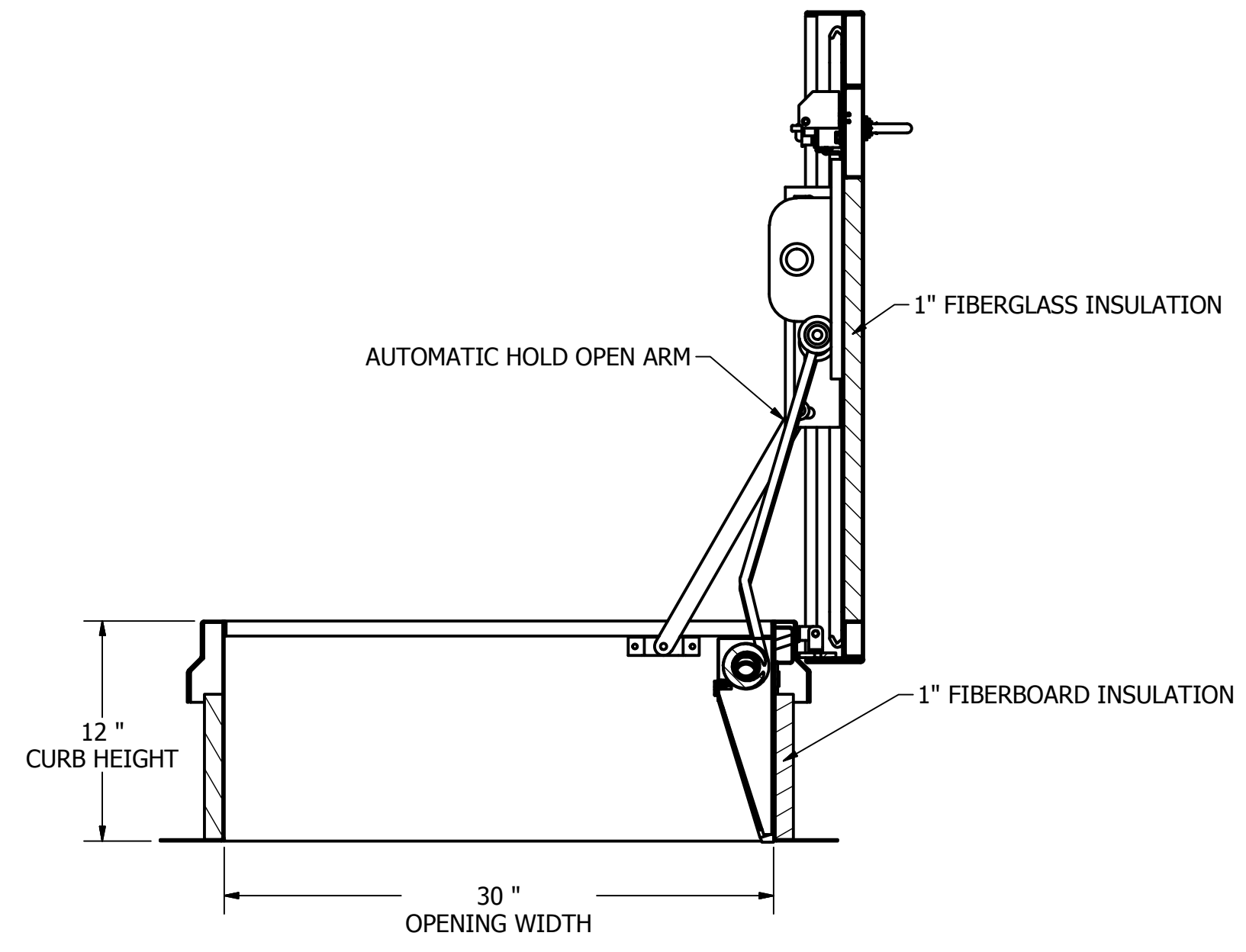
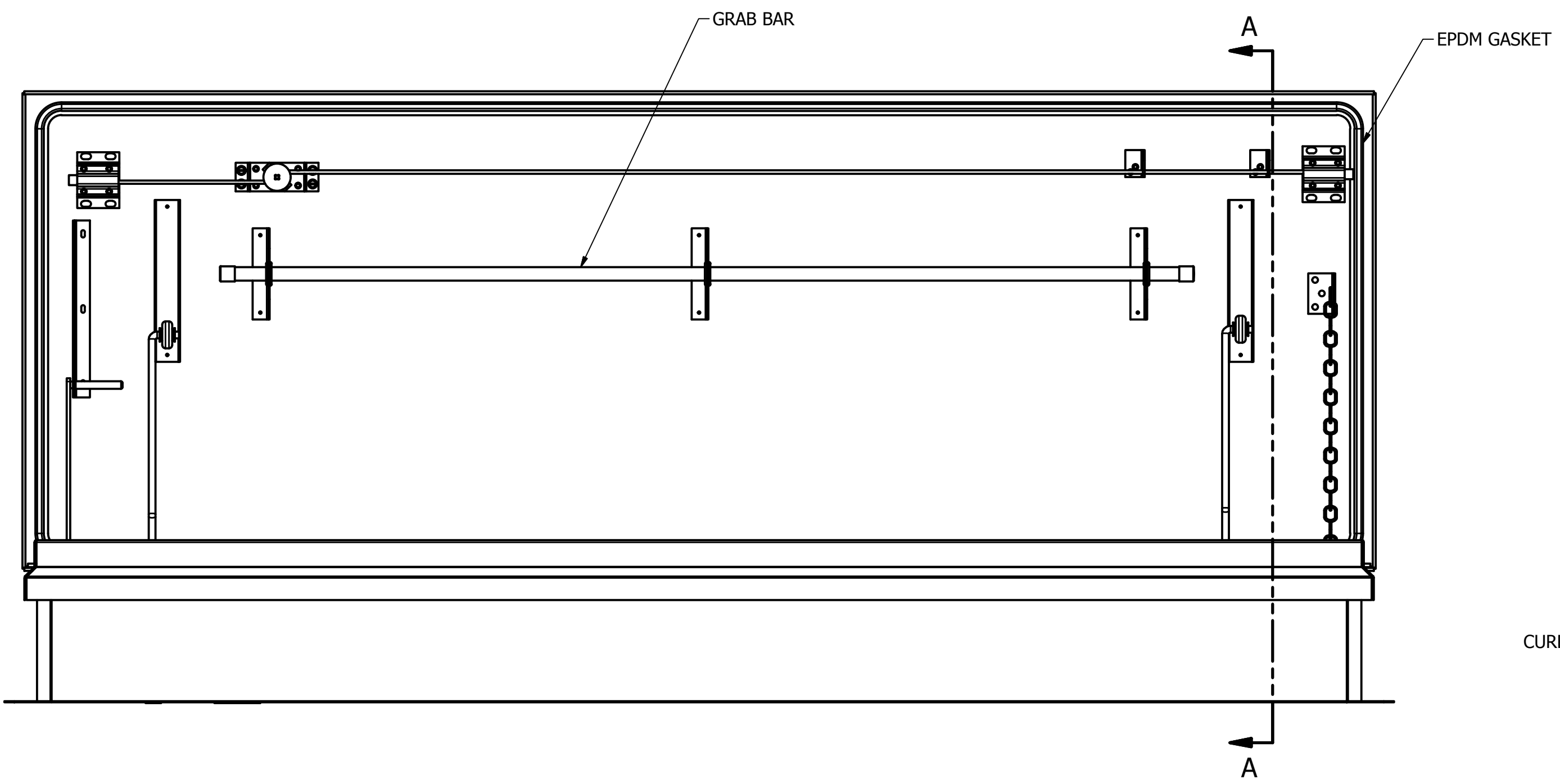
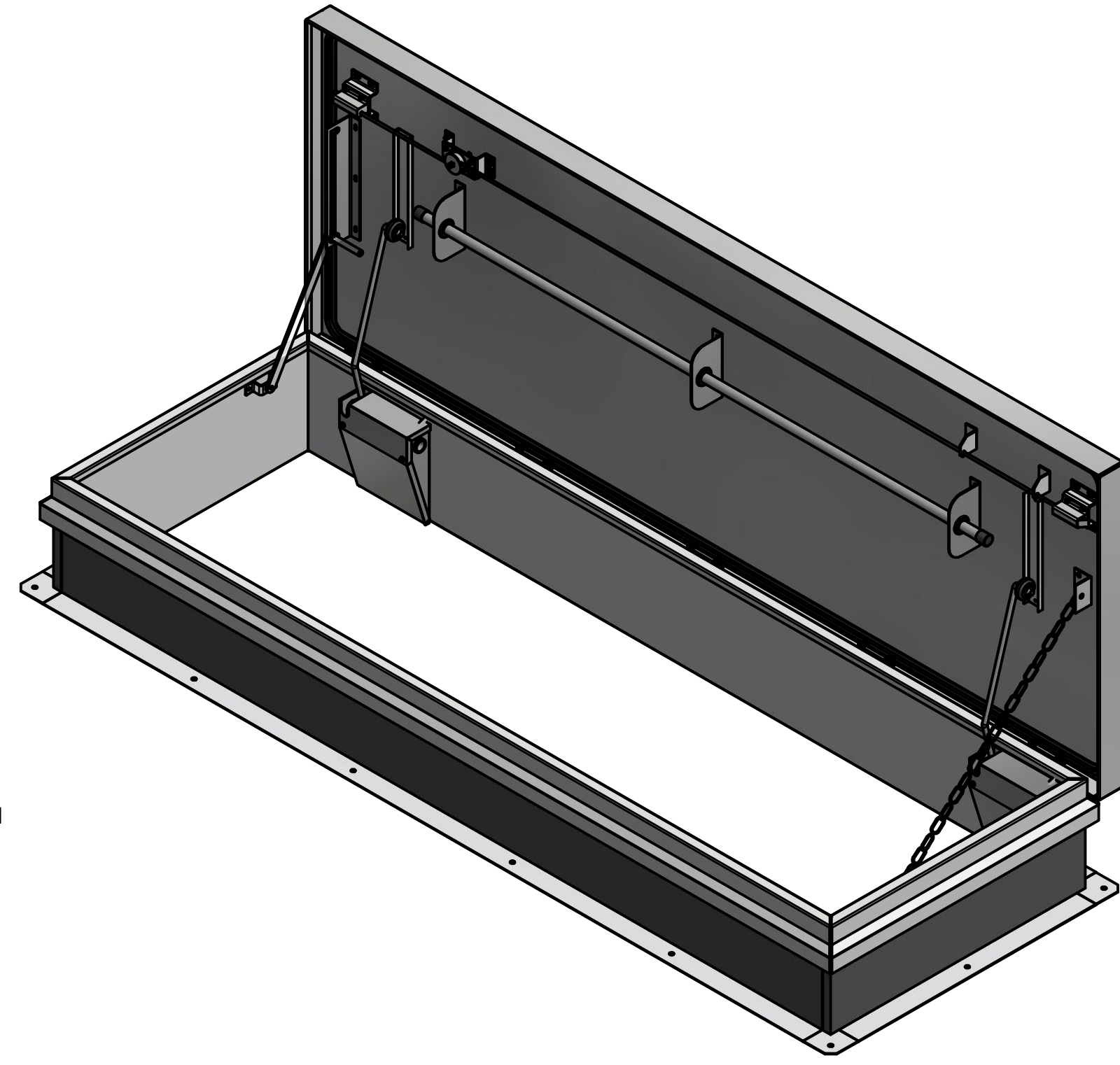
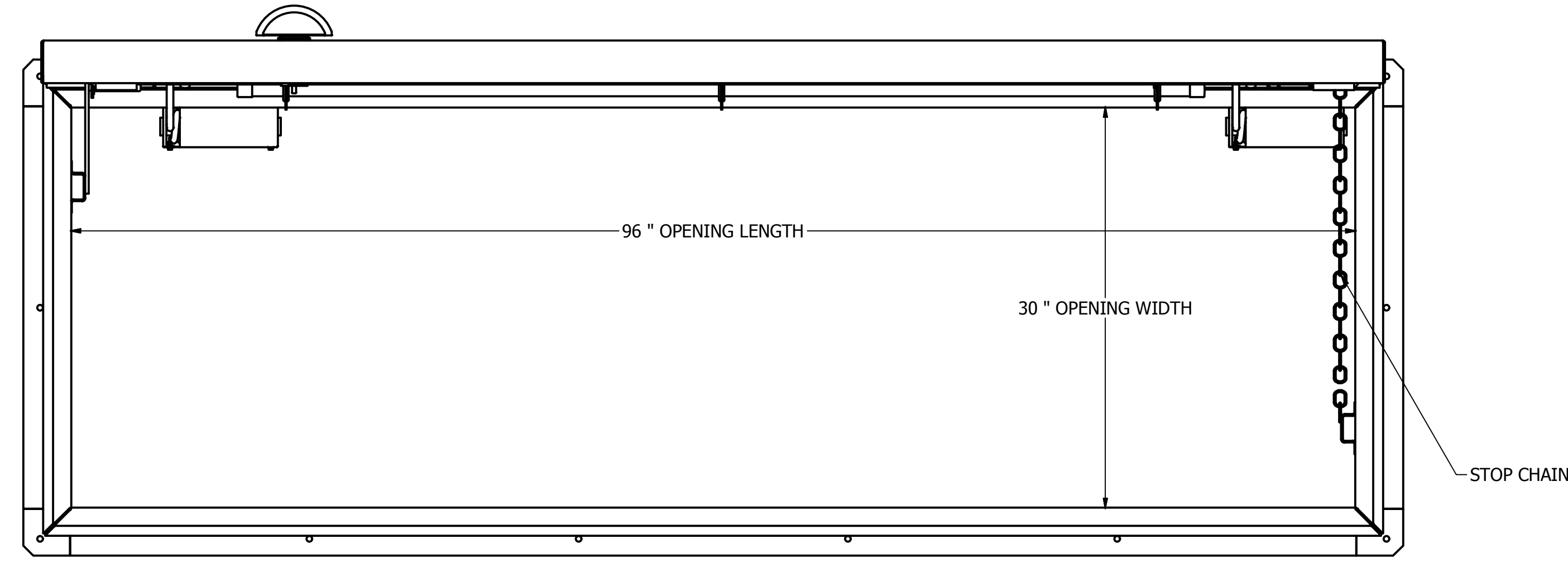
APPROVAL SIGNATURE \_\_\_\_\_

TITLE HELD \_\_\_\_\_

DATE OF APPROVAL \_\_\_\_\_

DRAWN	CMD	2/23/2015	Hart & Cooley Inc.		
CHECKED	<b>MILCOR</b>		5030 Corporate Exchange Blvd. SE Grand Rapids, MI. 49512 Ph: 800-624-8642		
QA	TOLERANCE UNLESS SPECIFIED		TITLE		
MFG	.XXX ± 0.005"		RC-2 SINGLE LEAF ROOF HATCH		
APPROVED	.XX ± 0.01"		SIZE	DWG NO	REV
	FRACT. ± 1/16"		D	3501-125-9	--
	ANGLES ± 1'		SCALE	SHEET 1 OF 1	

- NOTES:  
 SIZE: RC-2'6"X8'0"  
 1) 40psf COVER LIVE LOAD RATING  
 2) HATCH PAINTED WHITE  
 3) MATERIALS:  
 14ga GALVANIZED, COVER  
 14ga GALVANIZED, CURB  
 14ga GALVANIZED, COUNTER FLASHING  
 22ga GALVANIZED, COVER LINER



SECTION A-A

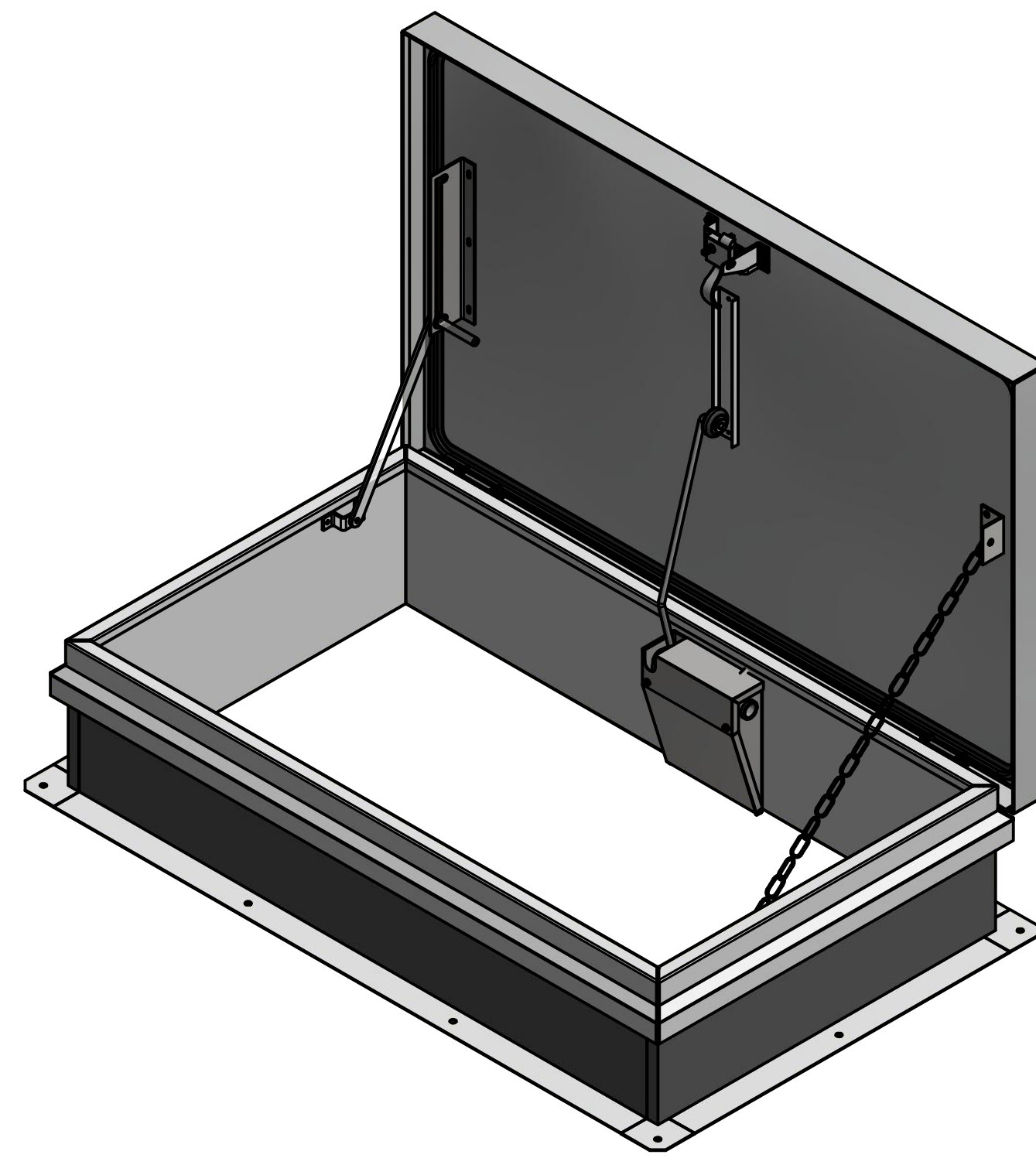
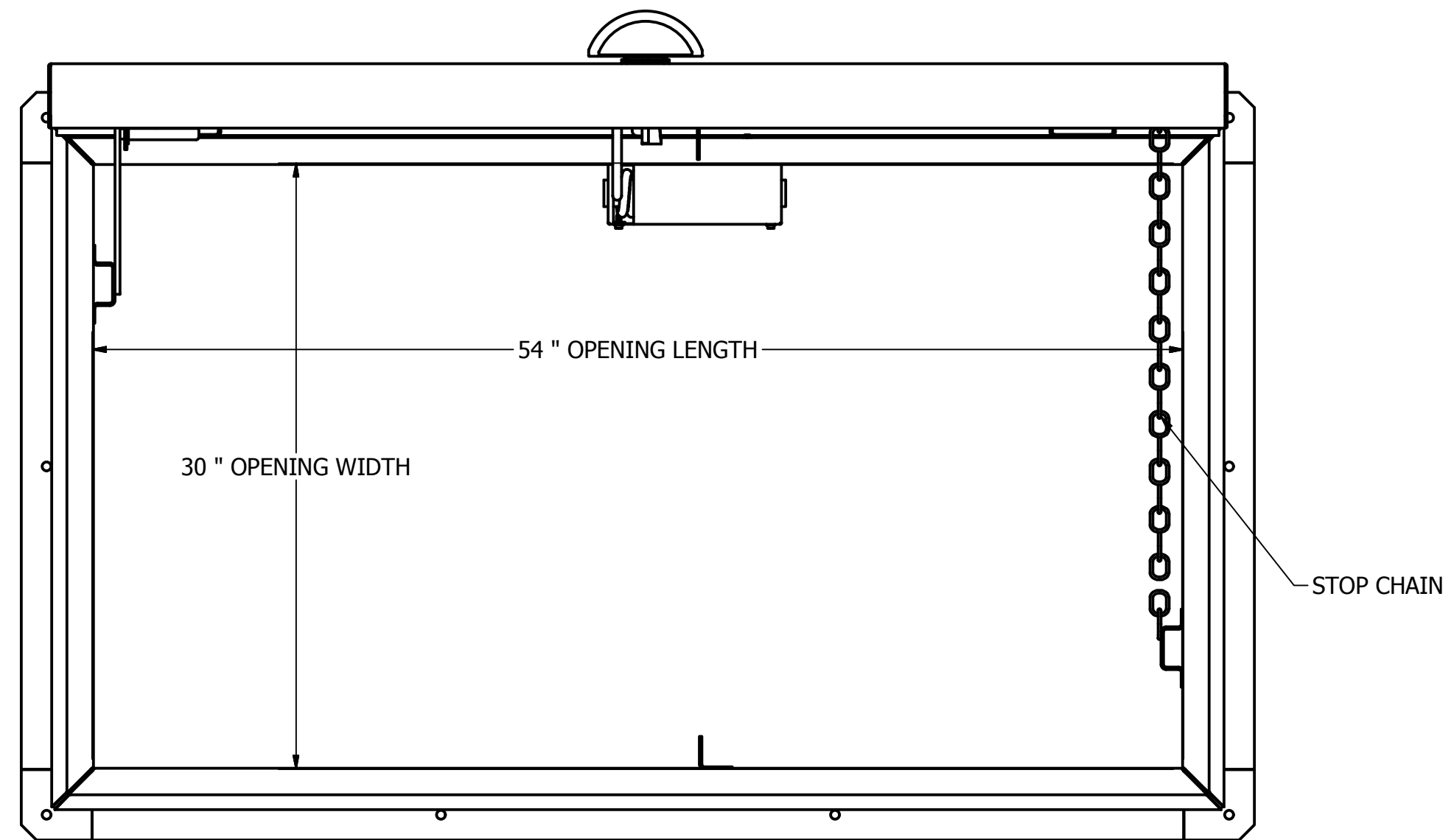
ORDER WILL NOT BE RELEASED FOR FABRICATION UNTIL SIGNED COPY IS RECEIVED.

VERIFICATION AND APPROVAL OF GENERAL ARRANGEMENT AND OVERALL DIMENSIONS FOR THIS DOCUMENT ARE REQUIRED BEFORE THE ORDER IS ENTERED FOR MANUFACTURING.

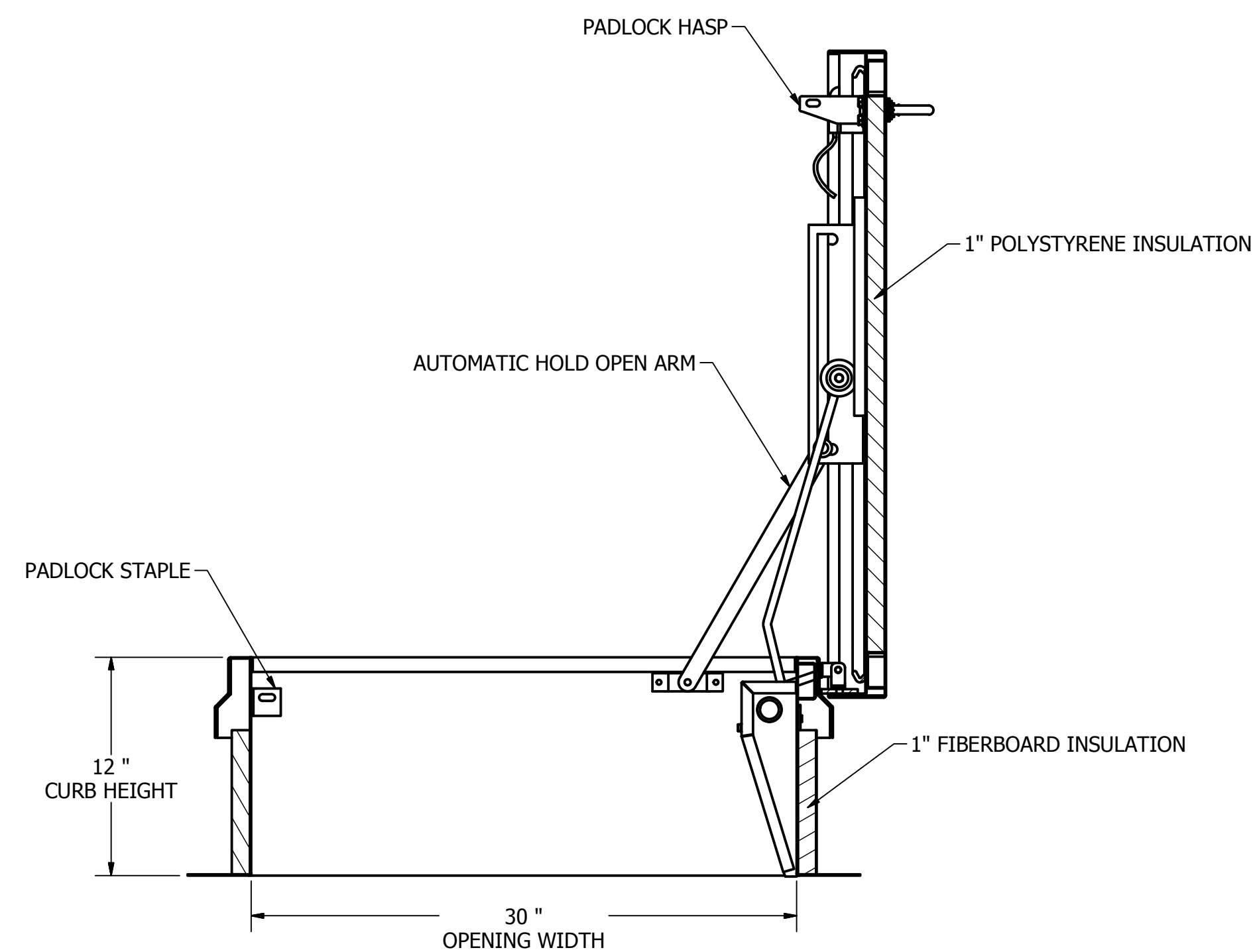
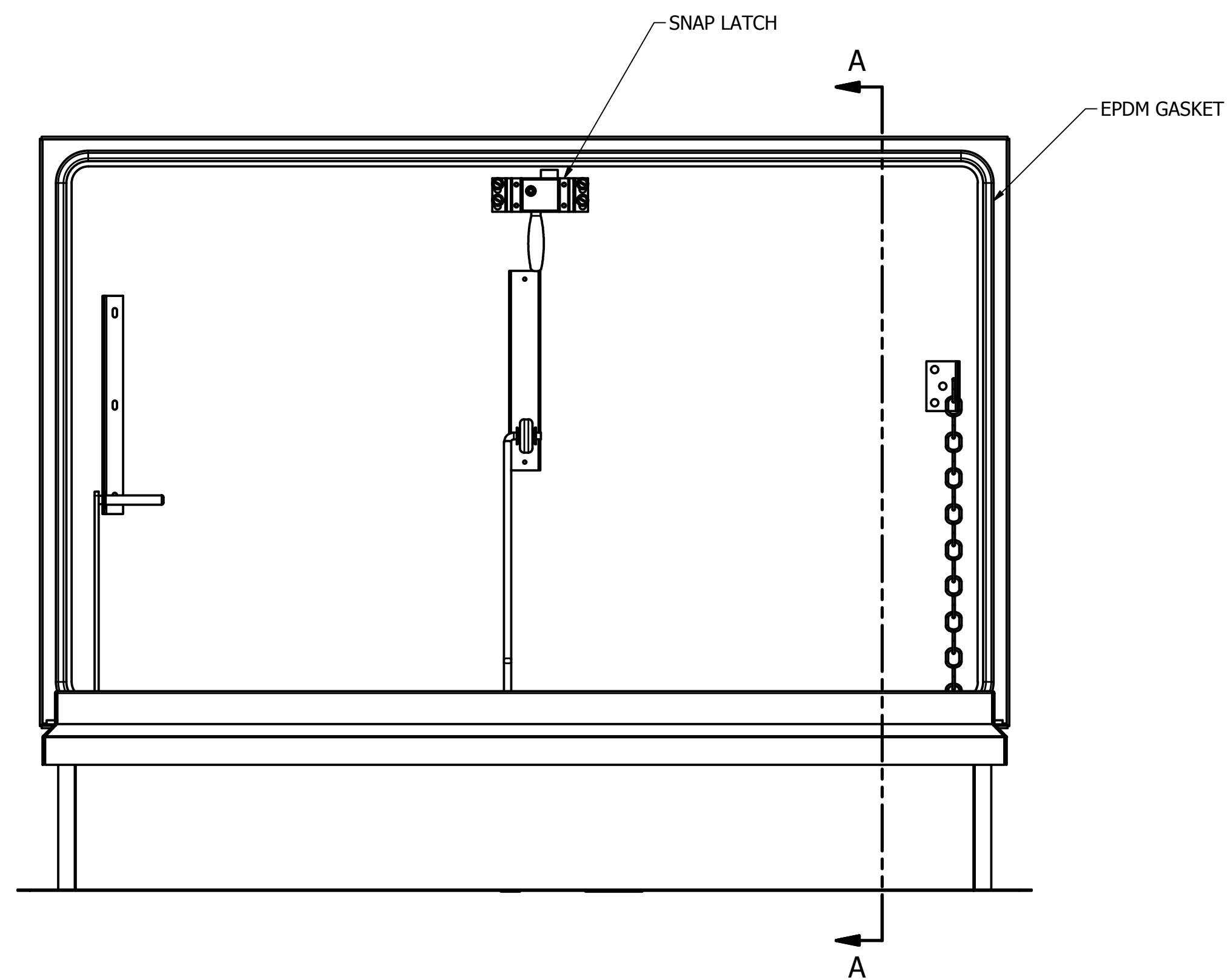
APPROVAL SIGNATURE \_\_\_\_\_  
 TITLE HELD \_\_\_\_\_  
 DATE OF APPROVAL \_\_\_\_\_

DRAWN	CMD	2/23/2015	Hart & Cooley Inc. 5030 Corporate Exchange Blvd. SE Grand Rapids, MI. 49512 Ph: 800-624-8642		
CHECKED	<b>MILCOR</b>		TITLE		
QA	TOLERANCE UNLESS SPECIFIED		RC-3 SINGLE LEAF ROOF HATCH		
MFG	.XXX ± 0.005"		SIZE	DWG NO	REV
APPROVED	.XX ± 0.01"		D	3501-128-9	--
	FRACT. ± 1/16"		SCALE	SHEET 1 OF 1	
	ANGLES ± 1'				





- NOTES:  
 SIZE: RCS-2'6"X4'6"  
 1) 70psf COVER LIVE LOAD RATING  
 2) MILL FINISH  
 3) MATERIALS:  
 .063 ALUMINUM, COVER  
 16ga GALVANIZED, CURB  
 16ga GALVANIZED, COUNTER FLASHING  
 .063 ALUMINUM, COVER LINER



SECTION A-A

ORDER WILL NOT BE RELEASED FOR FABRICATION UNTIL SIGNED COPY IS RECEIVED.

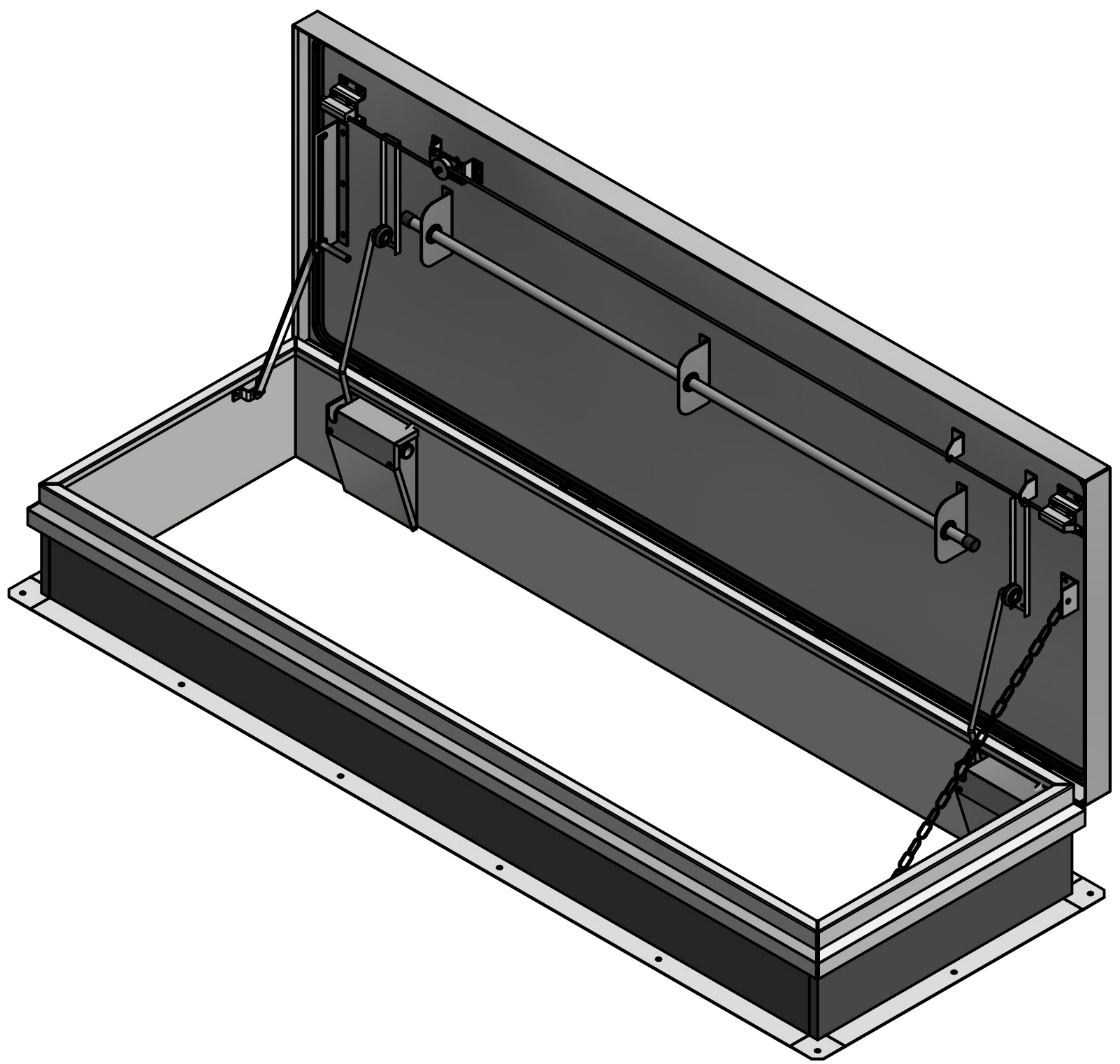
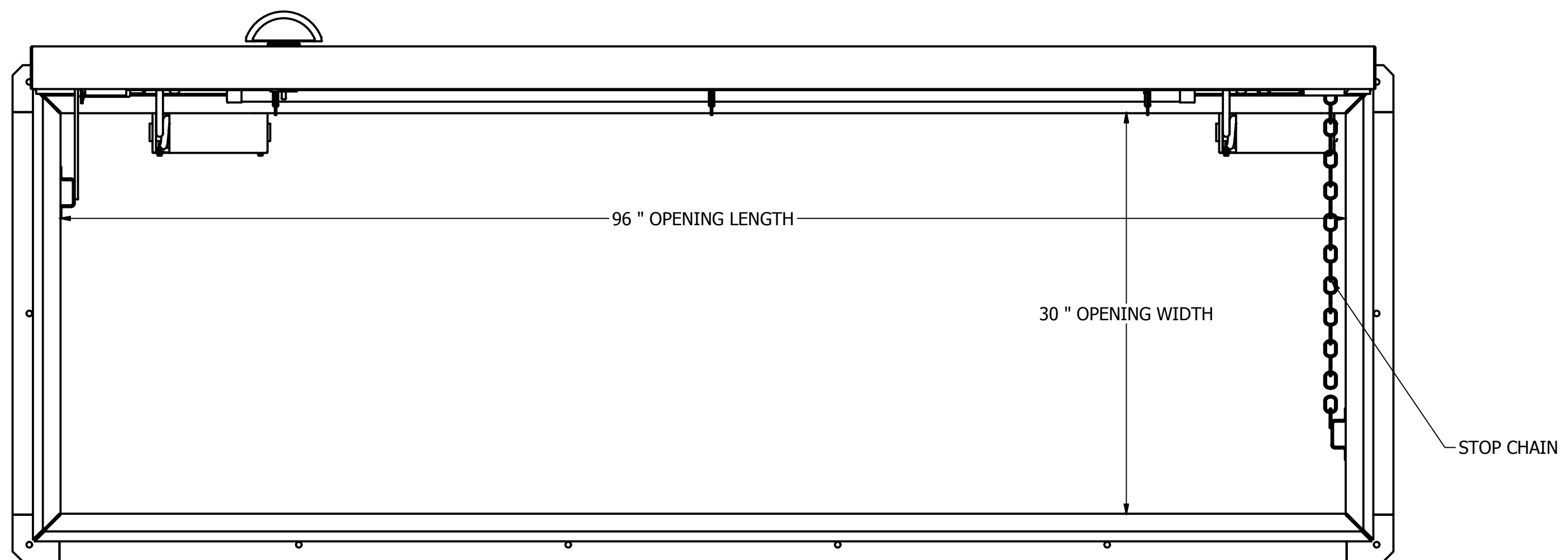
VERIFICATION AND APPROVAL OF GENERAL ARRANGEMENT AND OVERALL DIMENSIONS FOR THIS DOCUMENT ARE REQUIRED BEFORE THE ORDER IS ENTERED FOR MANUFACTURING.

APPROVAL SIGNATURE \_\_\_\_\_

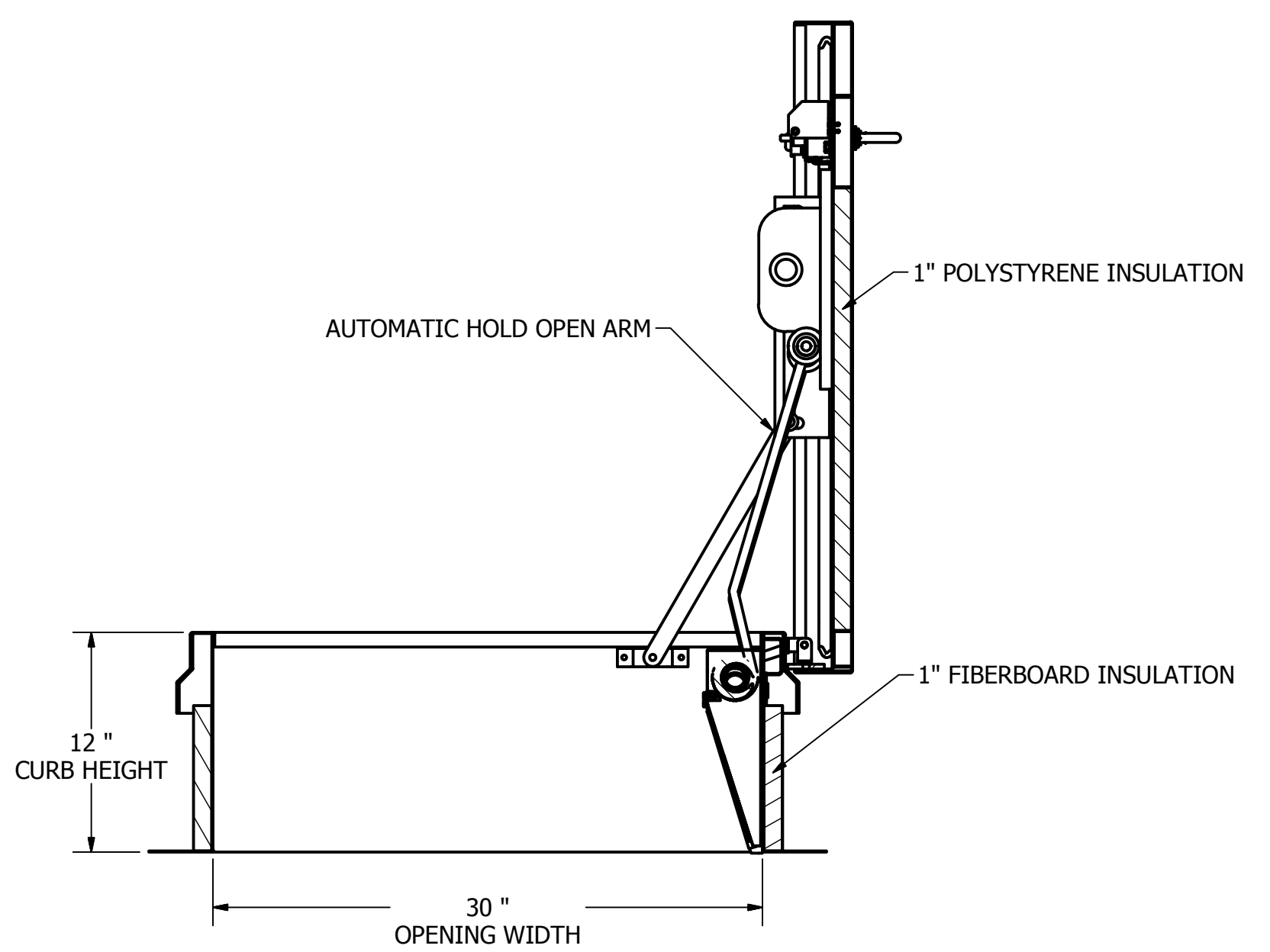
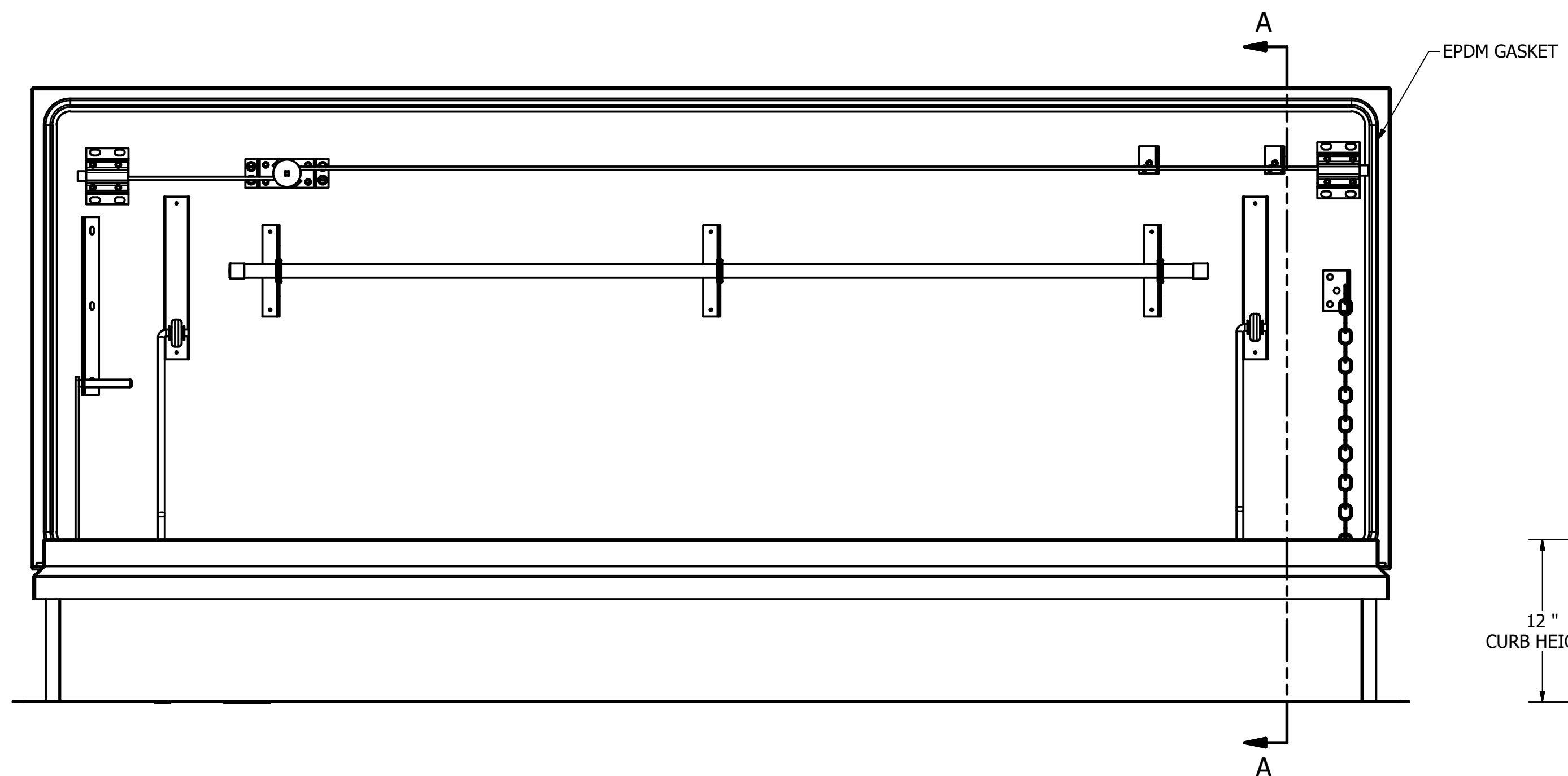
TITLE HELD \_\_\_\_\_

DATE OF APPROVAL \_\_\_\_\_

DRAWN	CMD	2/23/2015	Hart & Cooley Inc. Fax: 855-549-2674 www.hartandcooleyinc.com		
CHECKED	<b>MILCOR</b>		5030 Corporate Exchange Blvd. SE Grand Rapids, MI. 49512 Ph: 800-624-8642		
QA	TOLERANCE UNLESS SPECIFIED		TITLE		
MFG	.XXX ± 0.005"		RCS-2 SINGLE LEAF ROOF HATCH		
APPROVED	.XX ± 0.01"		SIZE	DWG NO	REV
	FRACT. ± 1/16"		D	3501-124-9	--
	ANGLES ± 1'		SCALE	SHEET 1 OF 1	



NOTES:  
 SIZE: RCS-2'6"X8'0"  
 1) 70psf COVER LIVE LOAD RATING  
 2) MILL FINISH  
 3) MATERIALS:  
 .063 ALUMINUM, COVER  
 16ga GALVANIZED, CURB  
 16ga GALVANIZED, COUNTER FLASHING  
 .063 ALUMINUM, COVER LINER



ORDER WILL NOT BE RELEASED FOR FABRICATION UNTIL SIGNED COPY IS RECEIVED.

VERIFICATION AND APPROVAL OF GENERAL ARRANGEMENT AND OVERALL DIMENSIONS FOR THIS DOCUMENT ARE REQUIRED BEFORE THE ORDER IS ENTERED FOR MANUFACTURING.

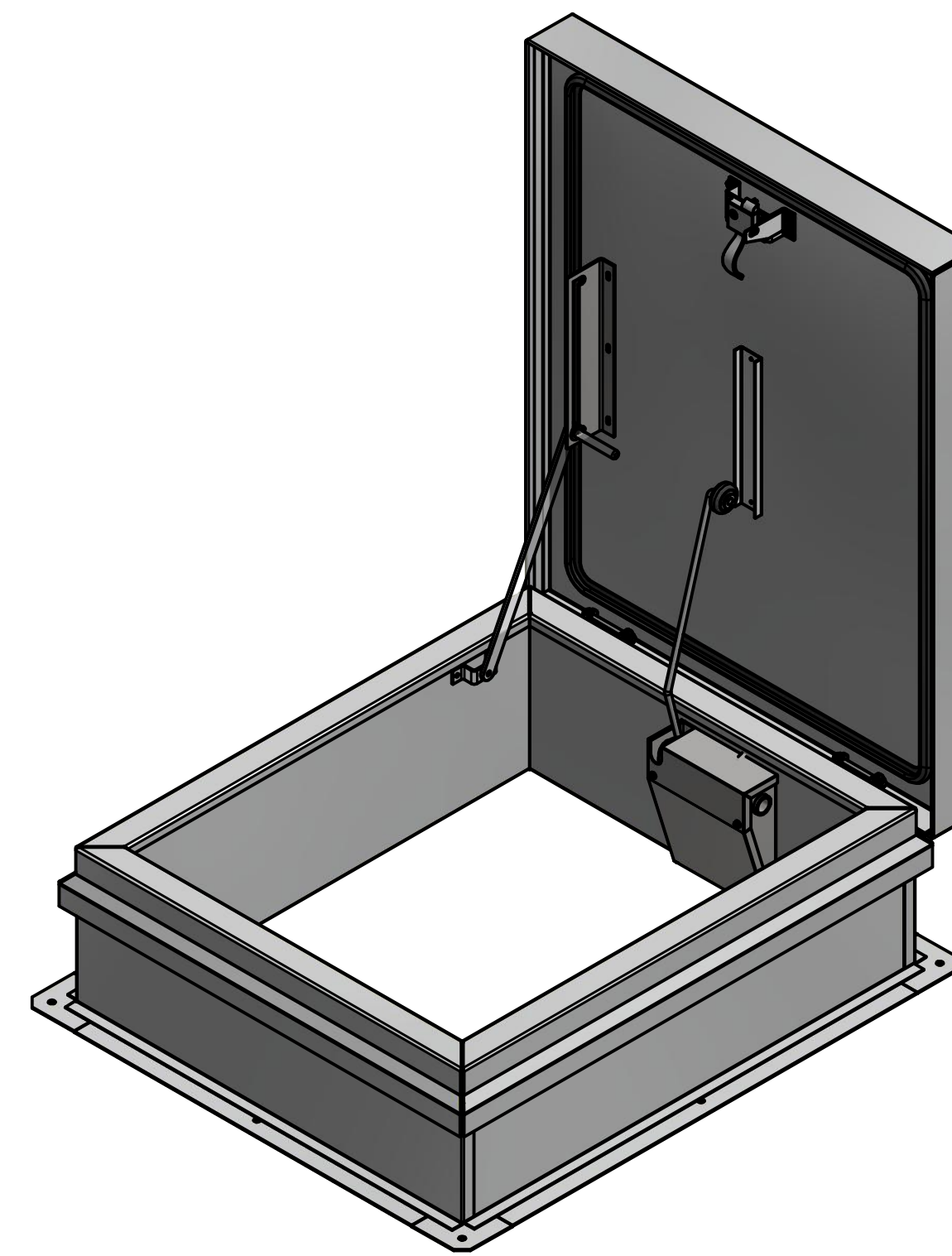
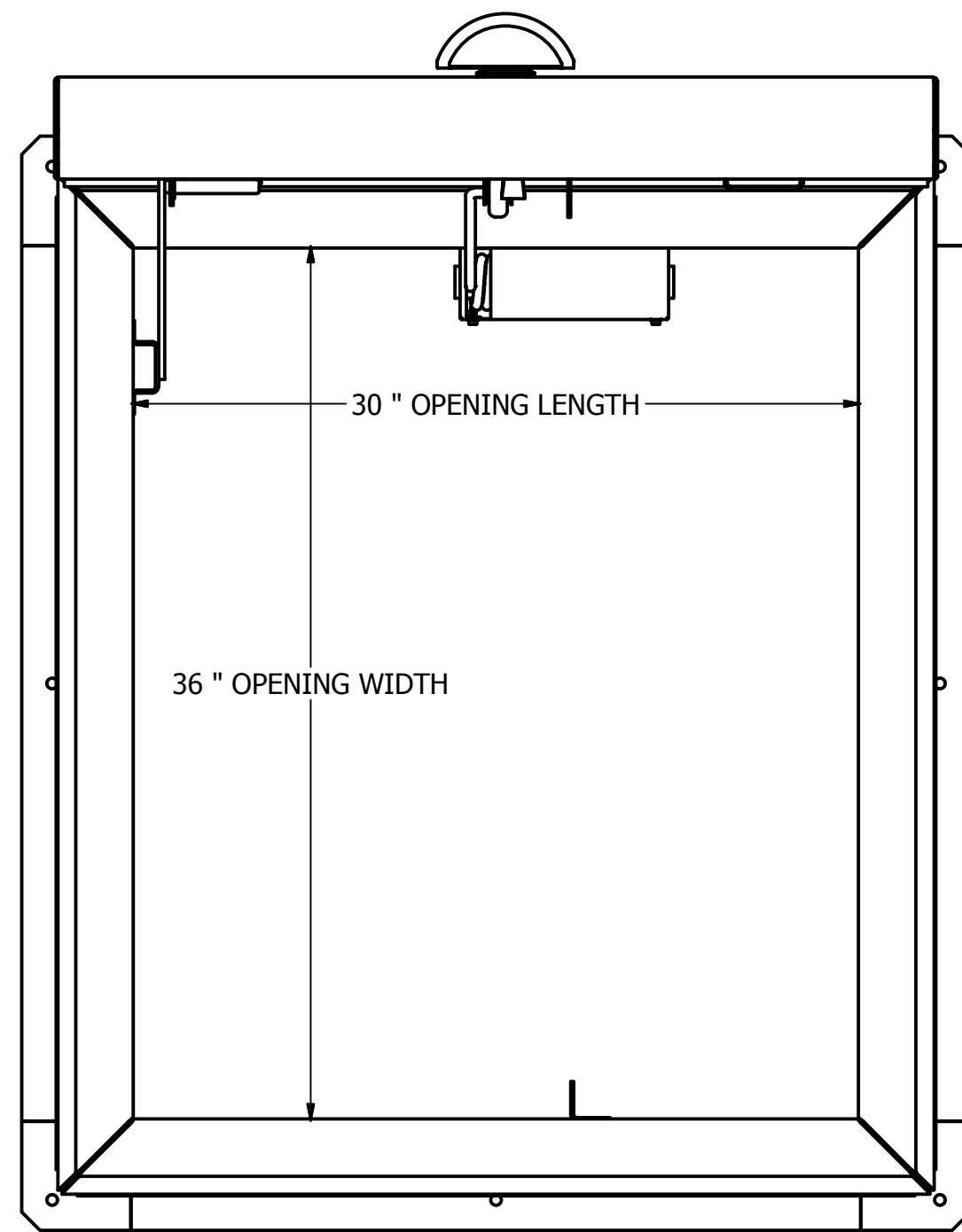
APPROVAL SIGNATURE \_\_\_\_\_

TITLE HELD \_\_\_\_\_

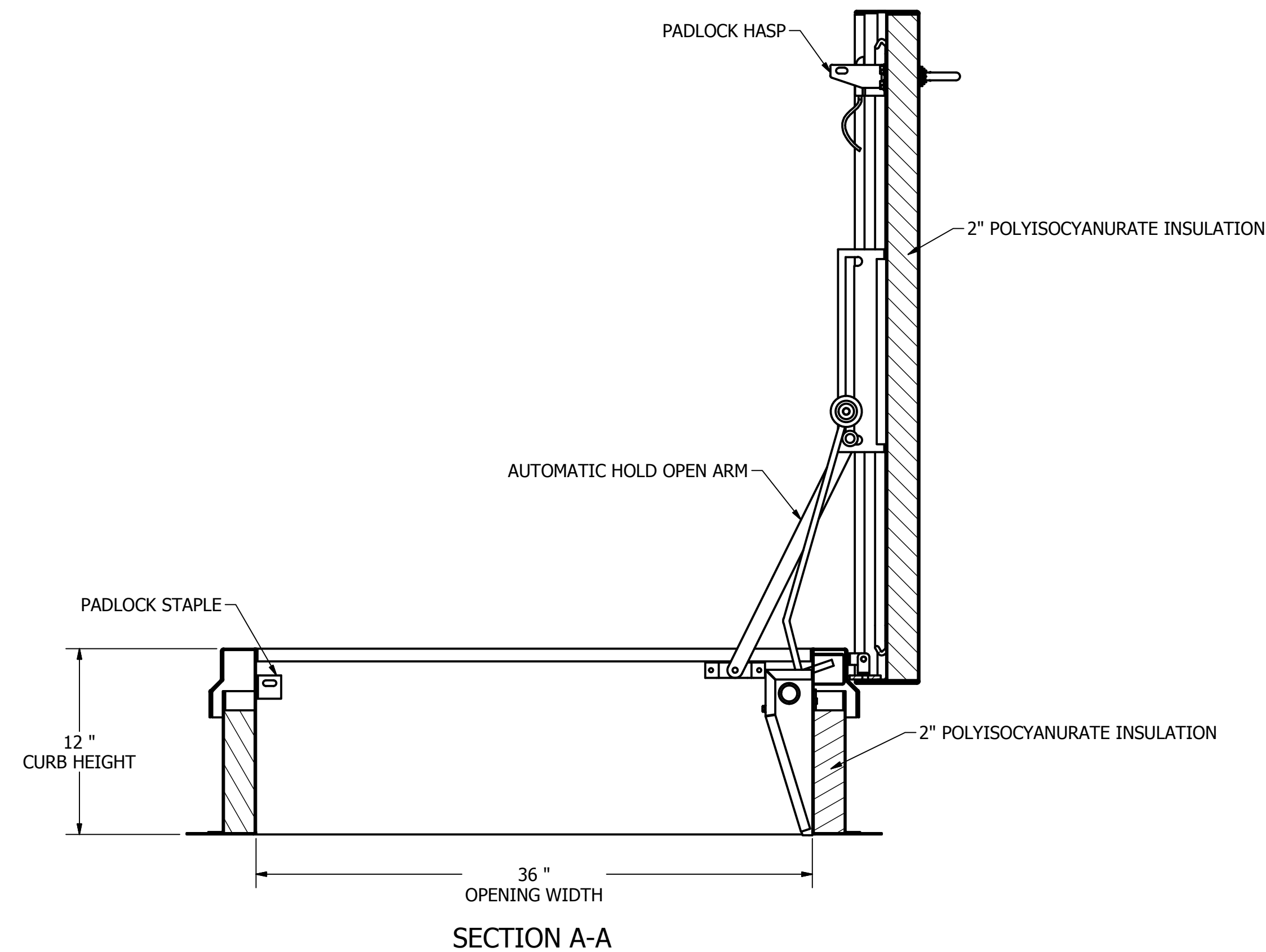
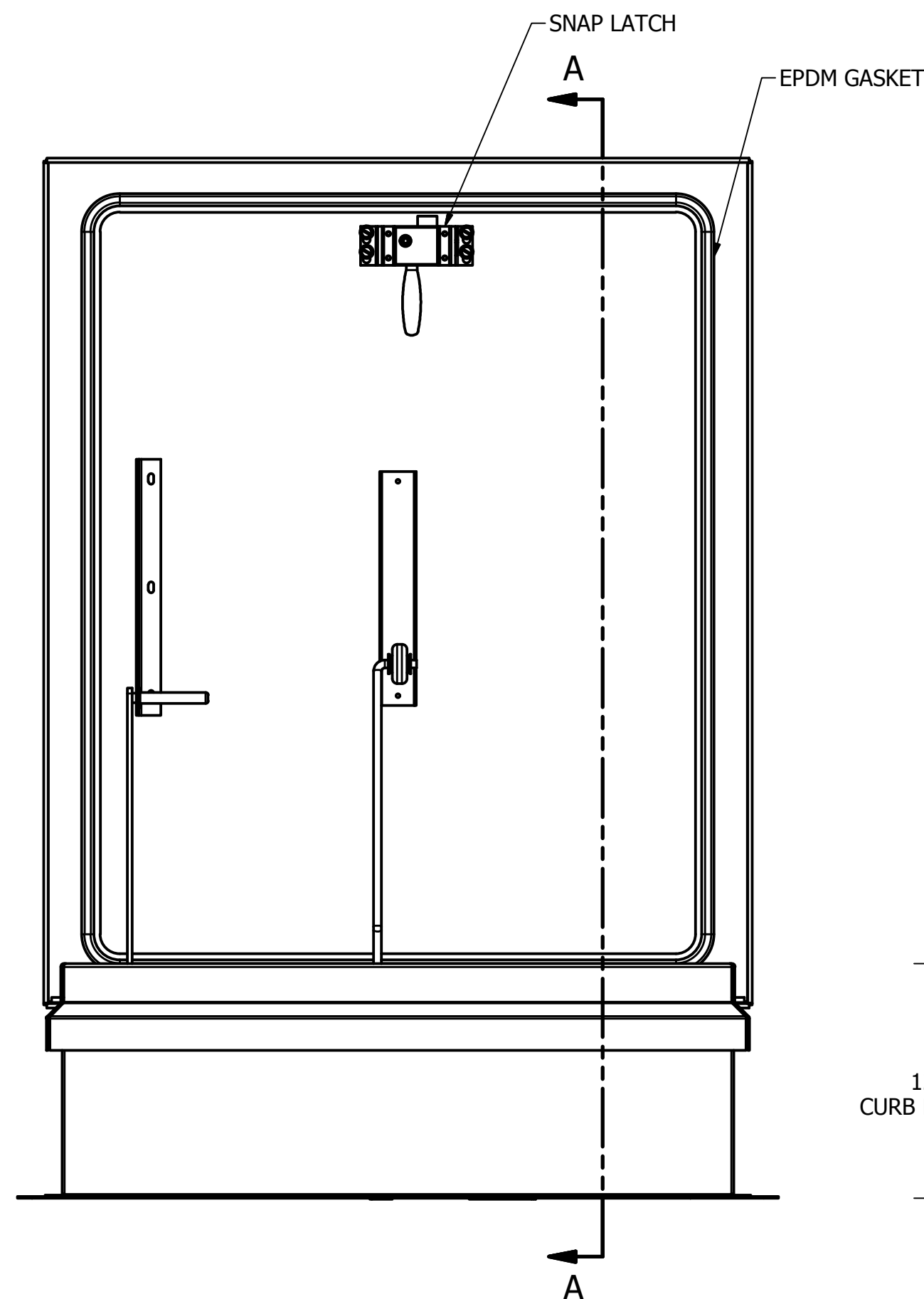
DATE OF APPROVAL \_\_\_\_\_

DRAWN	CMD	1/26/2015	Hart & Cooley Inc. 5030 Corporate Exchange Blvd. SE Grand Rapids, MI. 49512 Ph: 800-624-8642		
CHECKED	<b>MILCOR</b>		TITLE		
QA	TOLERANCE UNLESS SPECIFIED		RCS-3 SINGLE LEAF ROOF HATCH		
MFG	.XXX ± 0.005"		SIZE	DWG NO	REV
APPROVED	.XX ± 0.01"		D	3501-127-9	--
	FRACT. ± 1/16"		SCALE	SHEET 1 OF 1	
	ANGLES ± 1'				





- NOTES:
- SIZE: RD-3'0"X2'6"
- 1) 40psf COVER LIVE LOAD RATING
  - 2) MILL FINISH
  - 3) MATERIALS:
    - .090 ALUMINUM, COVER
    - .090 ALUMINUM, CURB
    - .090 ALUMINUM, COUNTER FLASHING
    - .063 ALUMINUM, COVER LINER
    - .063 ALUMINUM, CURB LINER



ORDER WILL NOT BE RELEASED FOR FABRICATION UNTIL SIGNED COPY IS RECEIVED.

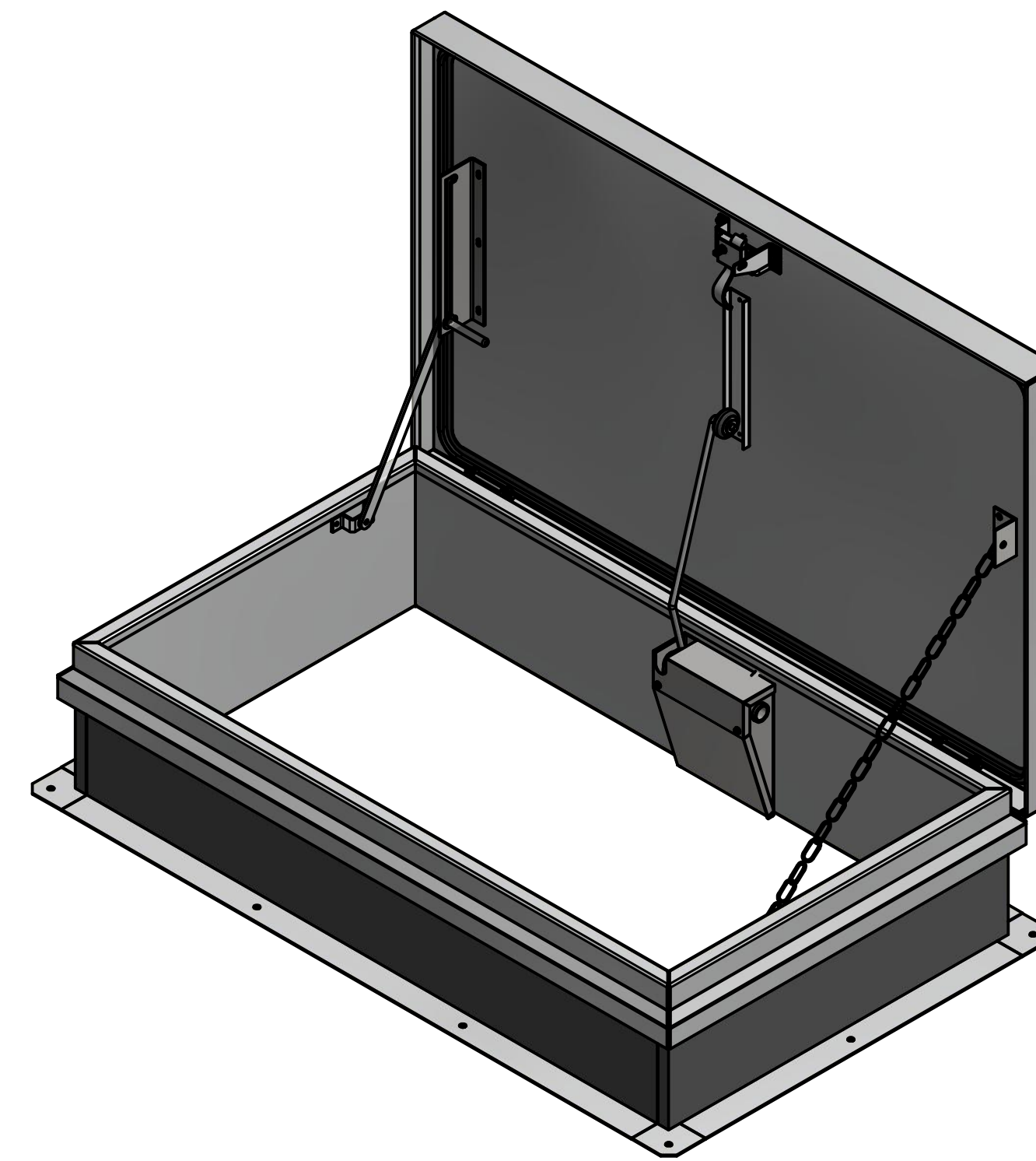
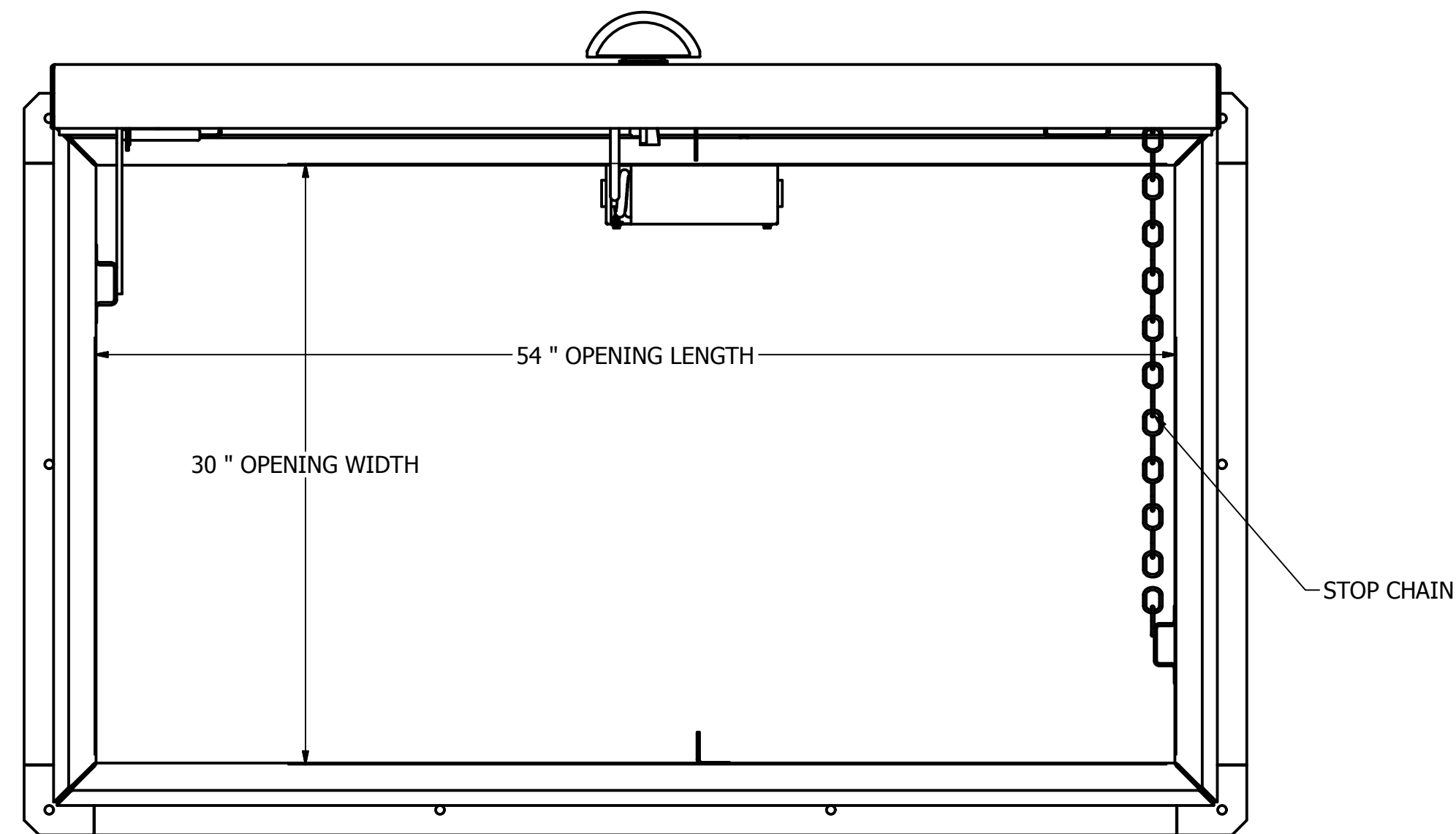
VERIFICATION AND APPROVAL OF GENERAL ARRANGEMENT AND OVERALL DIMENSIONS FOR THIS DOCUMENT ARE REQUIRED BEFORE THE ORDER IS ENTERED FOR MANUFACTURING.

APPROVAL SIGNATURE \_\_\_\_\_

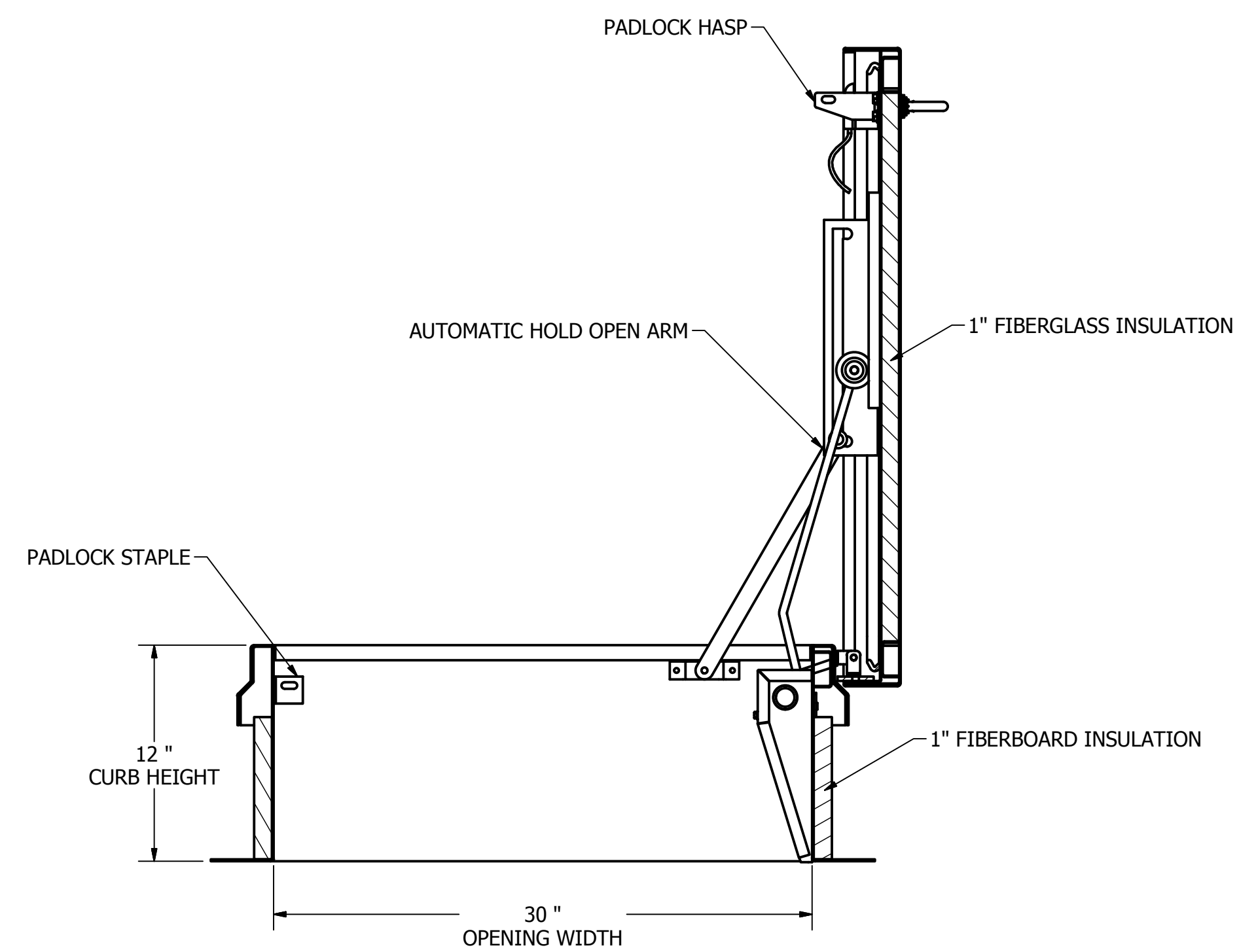
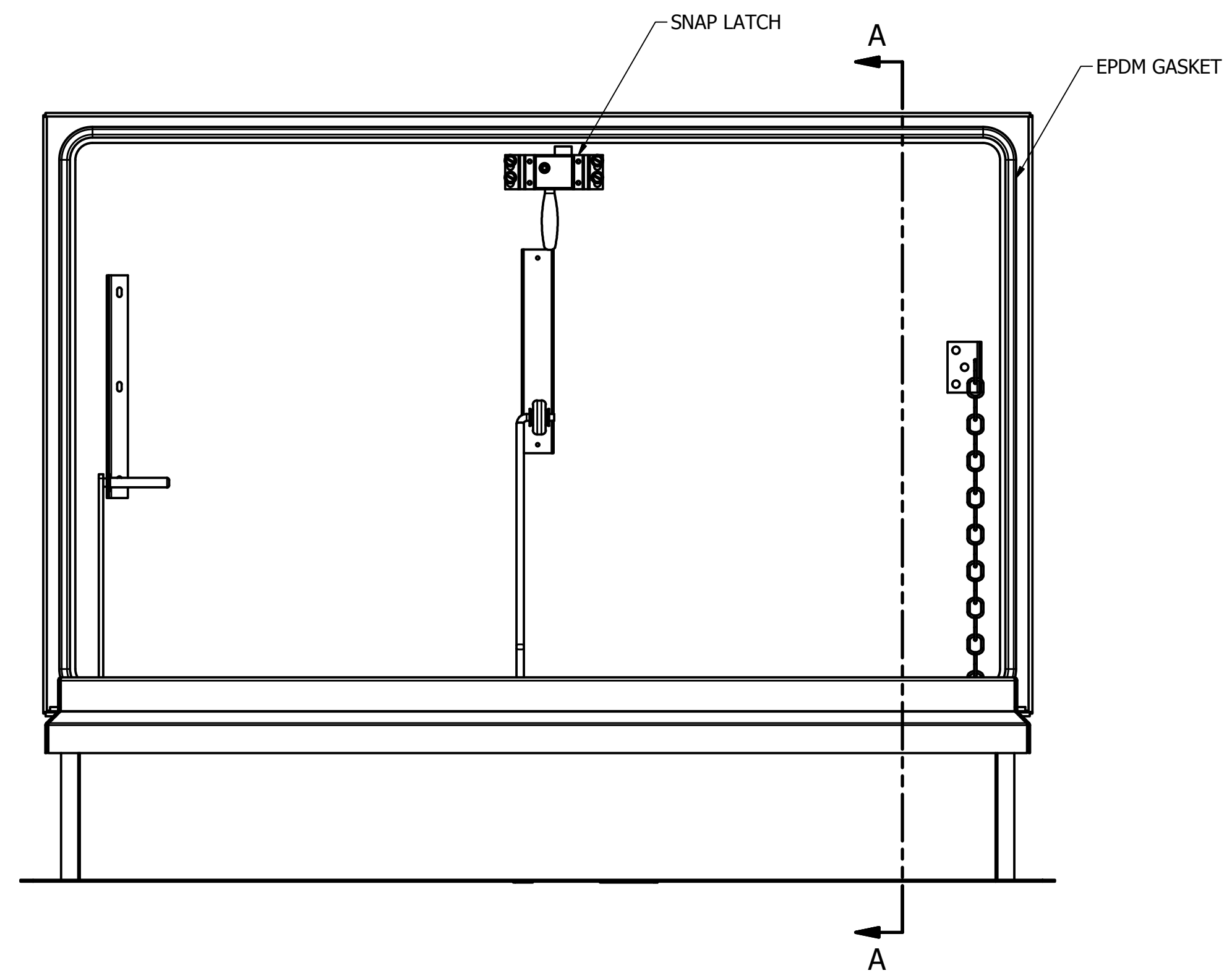
TITLE HELD \_\_\_\_\_

DATE OF APPROVAL \_\_\_\_\_

DRAWN	CMD	2/27/2015	Hart & Cooley Inc. Fax: 855-549-2674 www.hartandcooleyinc.com		
CHECKED	<b>MILCOR</b>		5030 Corporate Exchange Blvd. SE Grand Rapids, MI. 49512 Ph: 800-624-8642		
QA	TOLERANCE UNLESS SPECIFIED		TITLE		
MFG	.XXX ± 0.005"		RD-1 EE SINGLE LEAF ROOF HATCH		
APPROVED	.XX ± 0.01"		SIZE	DWG NO	REV
	FRACT. ± 1/16"		D	3501-132-9EE	--
	ANGLES ± 1'		SCALE	SHEET 1 OF 1	



- NOTES:  
 SIZE: RD-2'6"X4'6"  
 1) 40psf COVER LIVE LOAD RATING  
 2) MILL FINISH  
 3) MATERIALS:  
 .090 ALUMINUM, COVER  
 .090 ALUMINUM, CURB  
 .090 ALUMINUM, COUNTER FLASHING  
 .063 ALUMINUM, COVER LINER



ORDER WILL NOT BE RELEASED FOR FABRICATION UNTIL SIGNED COPY IS RECEIVED.

VERIFICATION AND APPROVAL OF GENERAL ARRANGEMENT AND OVERALL DIMENSIONS FOR THIS DOCUMENT ARE REQUIRED BEFORE THE ORDER IS ENTERED FOR MANUFACTURING.

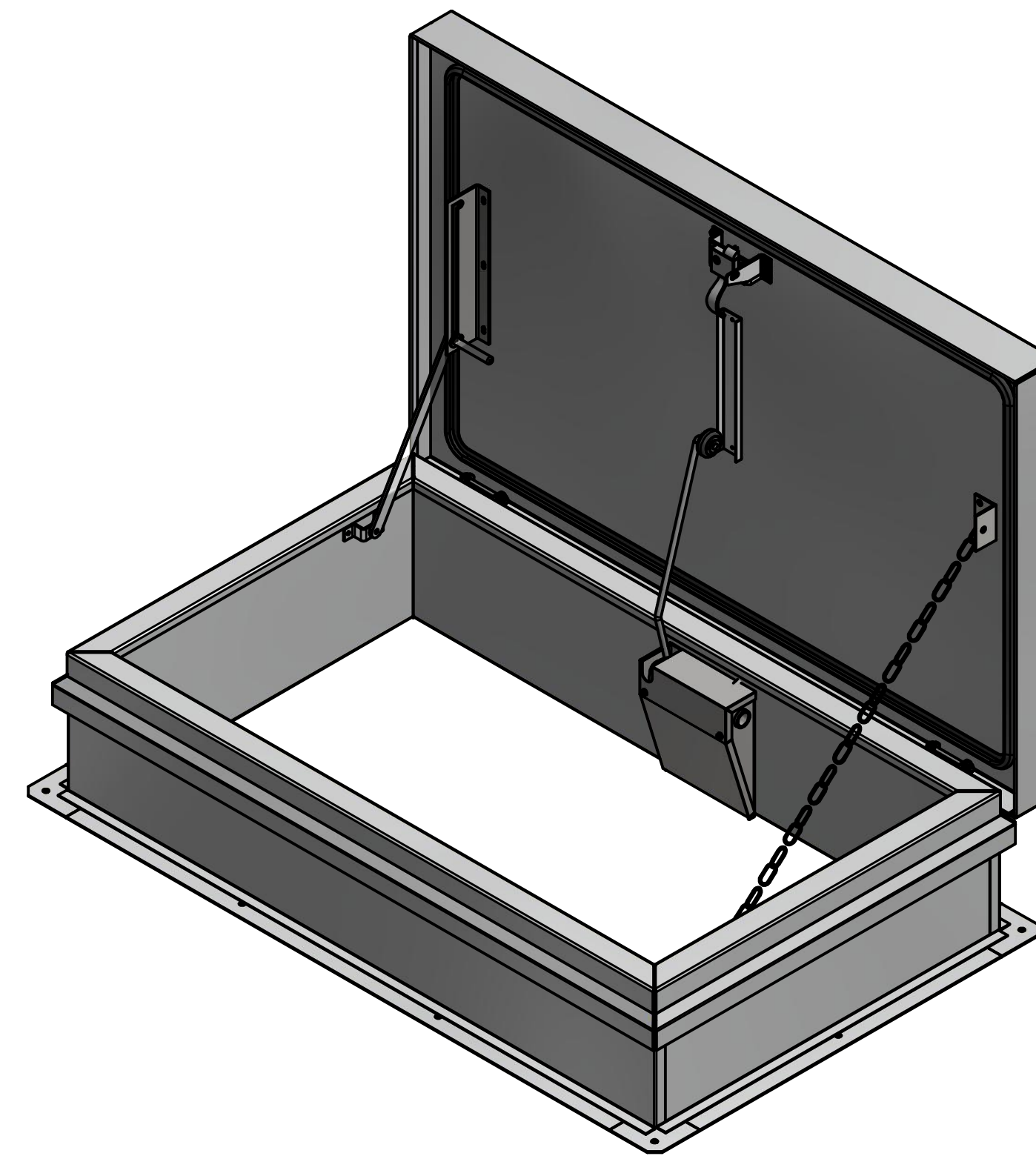
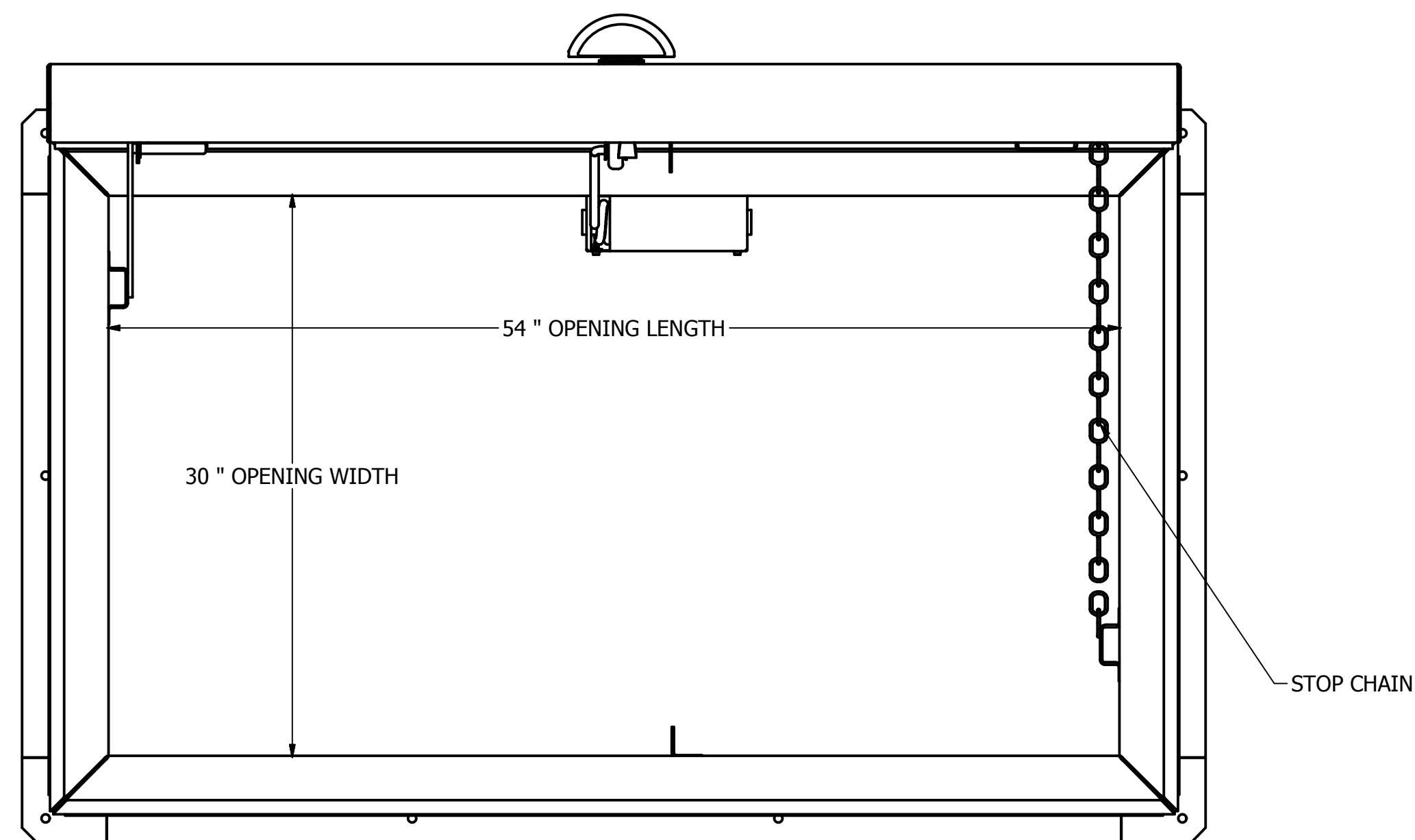
APPROVAL SIGNATURE \_\_\_\_\_

TITLE HELD \_\_\_\_\_

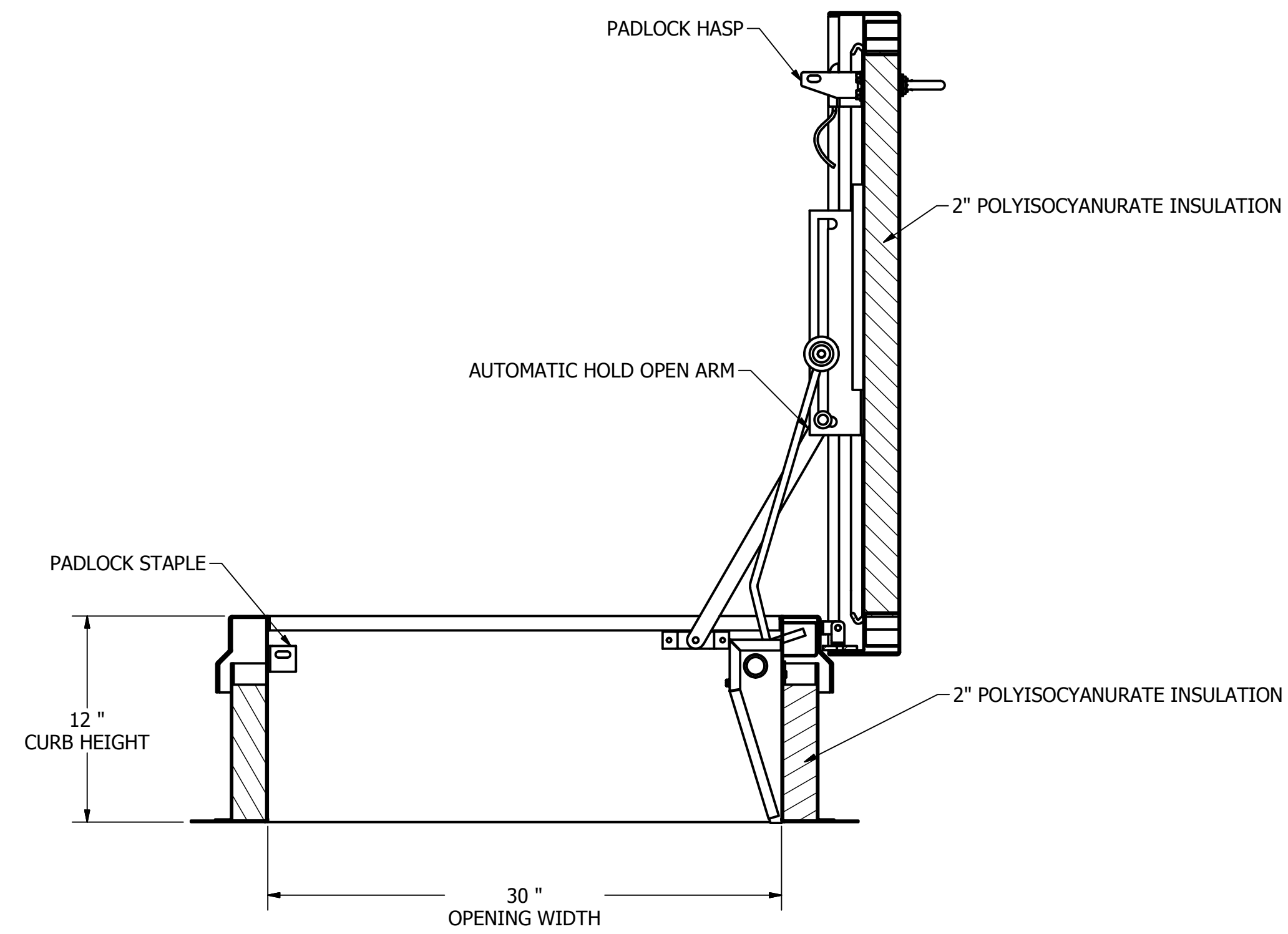
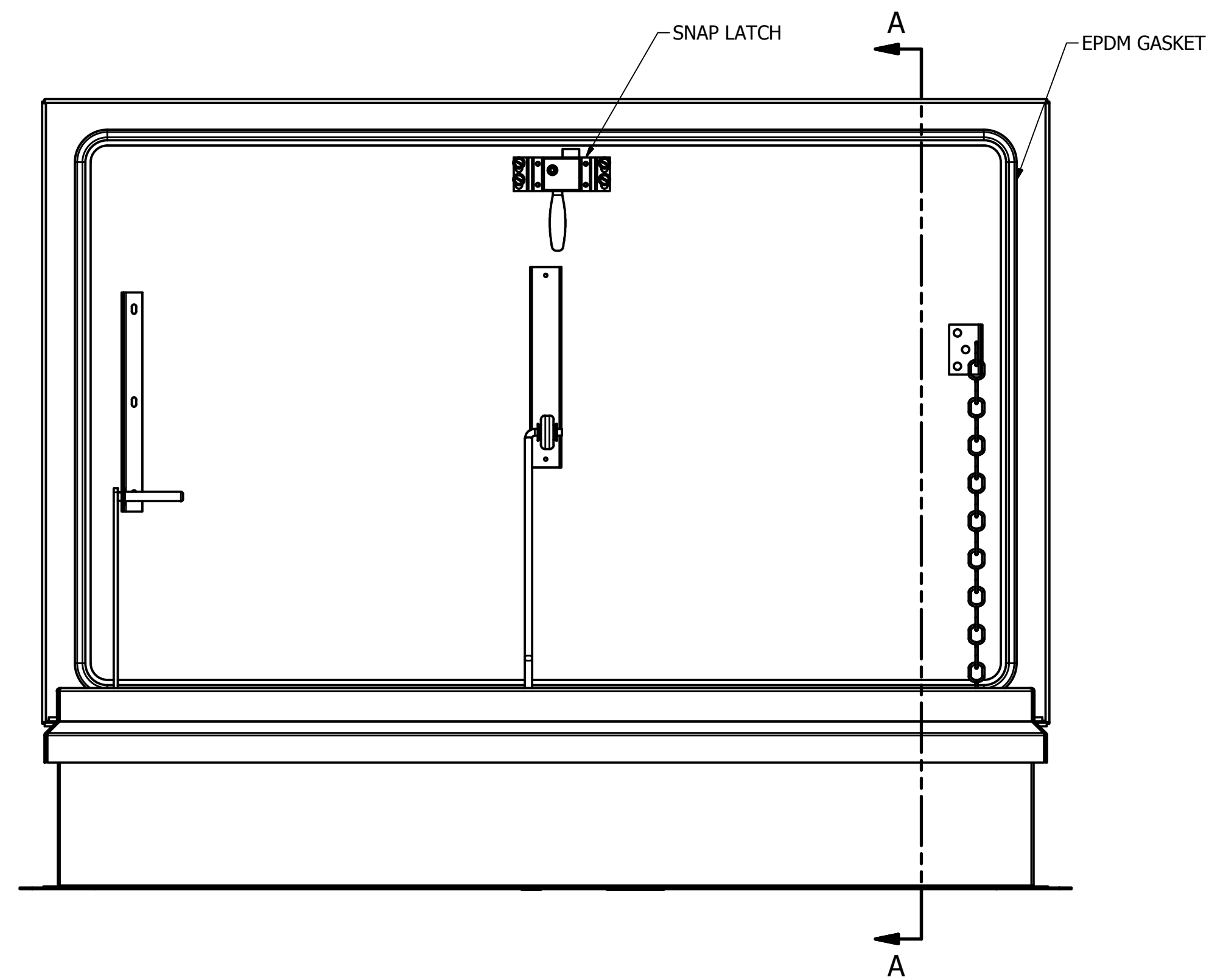
DATE OF APPROVAL \_\_\_\_\_

DRAWN	CMD	2/23/2015	Hart & Cooley Inc. Fax: 855-549-2674 www.hartandcooleyinc.com		
CHECKED	<b>MILCOR</b>		5030 Corporate Exchange Blvd. SE Grand Rapids, MI. 49512 Ph: 800-624-8642		
QA	TOLERANCE UNLESS SPECIFIED		TITLE		
MFG	.XXX ± 0.005"		RD-2 SINGLE LEAF ROOF HATCH		
APPROVED	.XX ± 0.01"		SIZE	DWG NO	REV
	FRACT. ± 1/16"		D	3502-135-9	--
	ANGLES ± 1'		SCALE	SHEET 1 OF 1	





- NOTES:  
 SIZE: RD-2'6"X4'6"  
 1) 40psf COVER LIVE LOAD RATING  
 2) MILL FINISH  
 3) MATERIALS:  
 .090 ALUMINUM, COVER  
 .090 ALUMINUM, CURB  
 .090 ALUMINUM, COUNTER FLASHING  
 .063 ALUMINUM, COVER LINER  
 .063 ALUMINUM, CURB LINER



ORDER WILL NOT BE RELEASED FOR FABRICATION UNTIL SIGNED COPY IS RECEIVED.

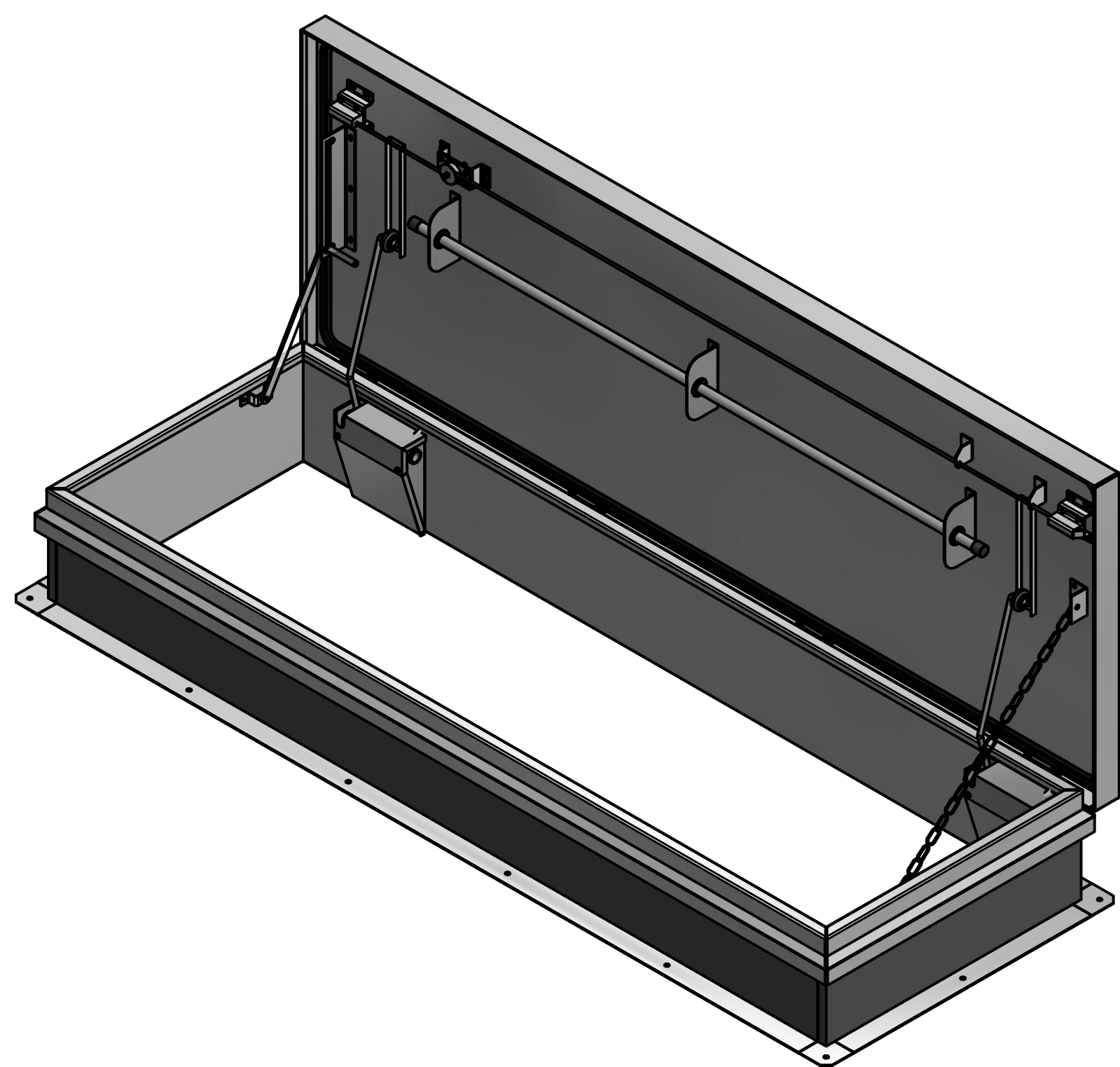
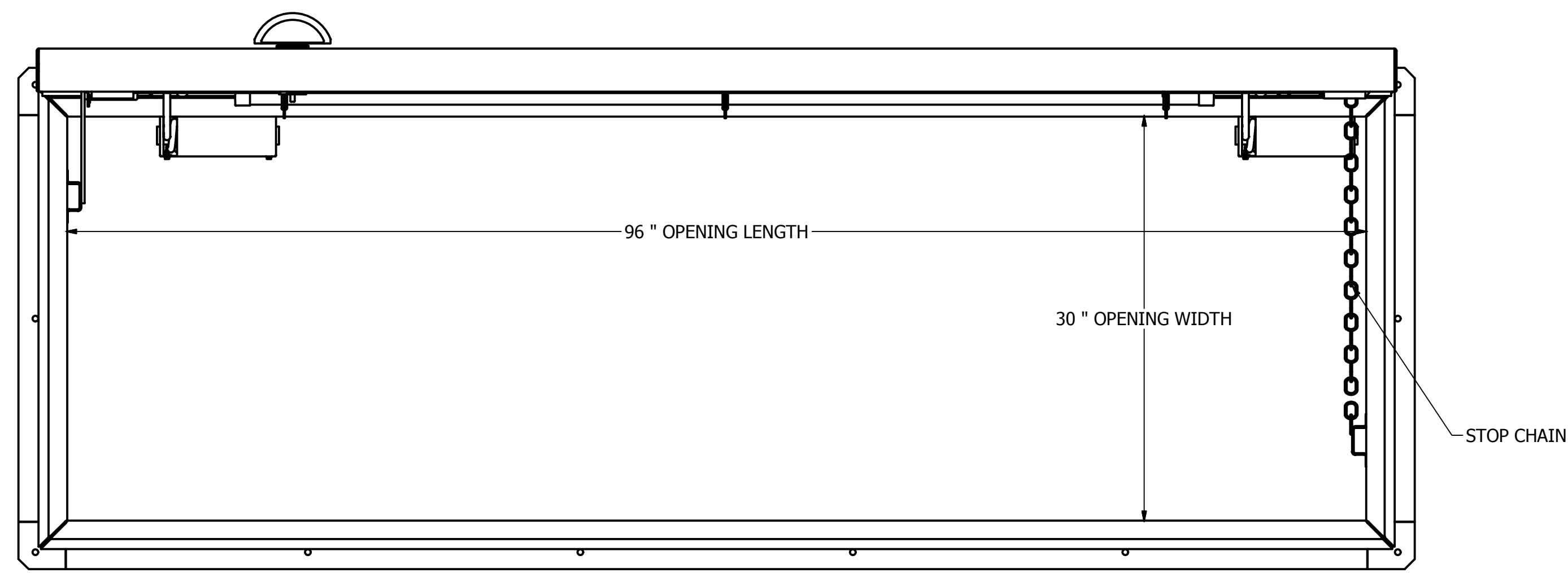
VERIFICATION AND APPROVAL OF GENERAL ARRANGEMENT AND OVERALL DIMENSIONS FOR THIS DOCUMENT ARE REQUIRED BEFORE THE ORDER IS ENTERED FOR MANUFACTURING.

APPROVAL SIGNATURE \_\_\_\_\_

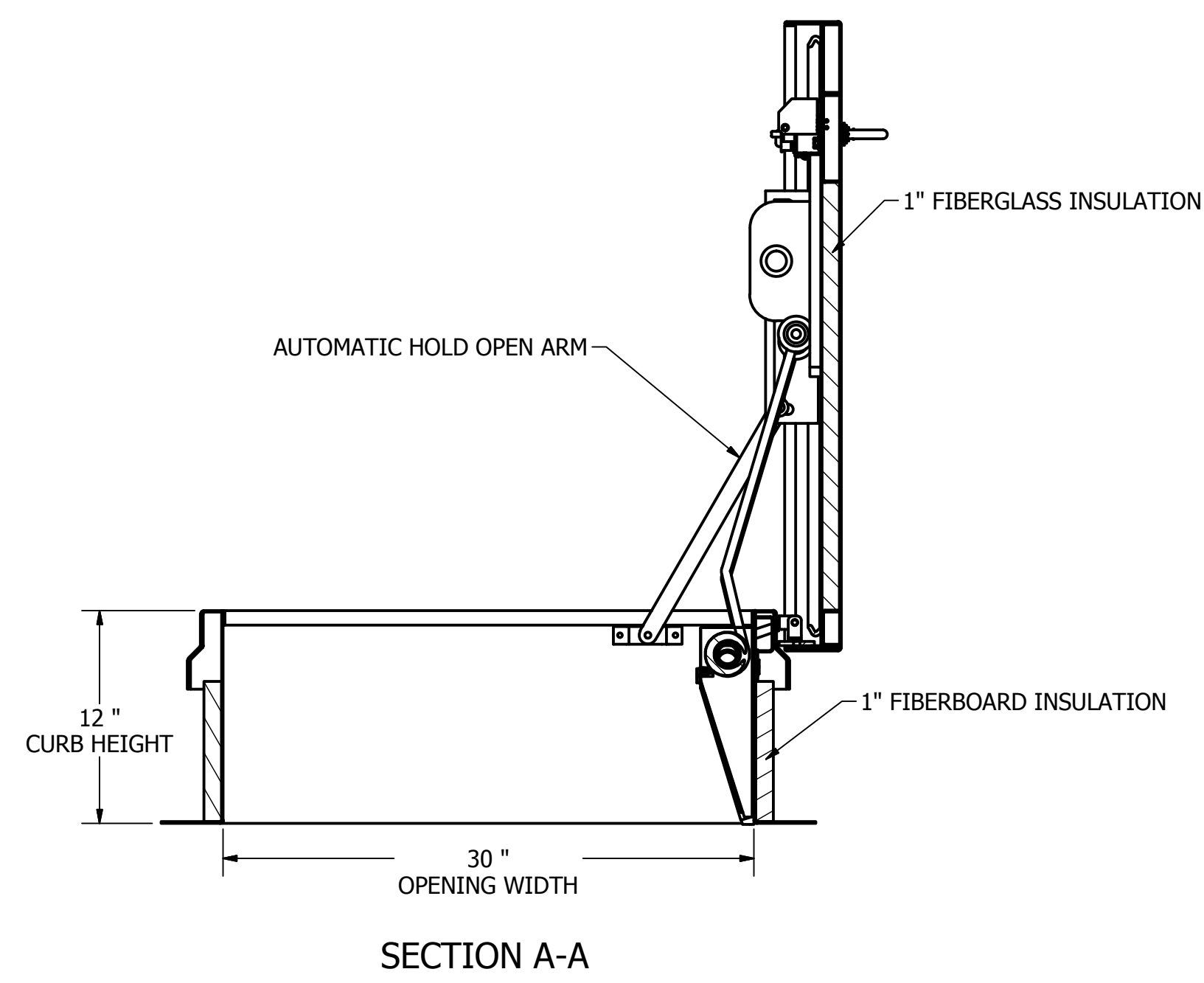
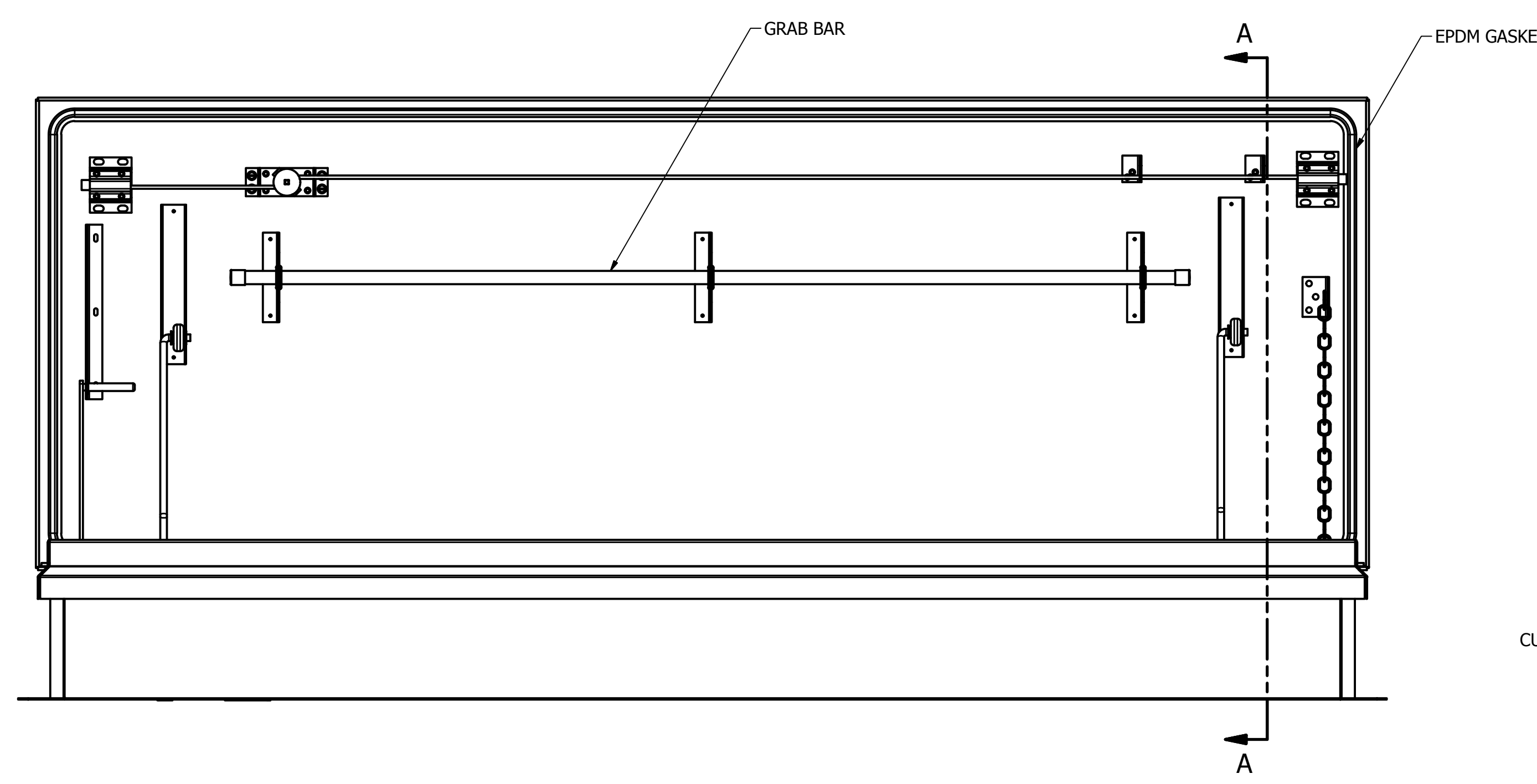
TITLE HELD \_\_\_\_\_

DATE OF APPROVAL \_\_\_\_\_

DRAWN CMD	3/2/2015	Hart & Cooley Inc. 5030 Corporate Exchange Blvd. SE Grand Rapids, MI. 49512 Ph: 800-624-8642	
CHECKED	<b>MILCOR</b>	TITLE	
QA	TOLERANCE UNLESS SPECIFIED	RD-2 EE SINGLE LEAF ROOF HATCH	
MFG	.XXX ± 0.005"	SIZE	D
APPROVED	.XX ± 0.01"	DWG NO	3501-135-9EE
	FRACT. ± 1/16"	SCALE	1" = 1'
	ANGLES ± 1'	SHEET 1 OF 1	



NOTES:  
 SIZE: RD-2'6"X8'0"  
 1) 40psf COVER LIVE LOAD RATING  
 2) MILL FINISH  
 3) MATERIALS:  
 .090 ALUMINUM, COVER  
 .090 ALUMINUM, CURB  
 .090 ALUMINUM, COUNTER FLASHING  
 .063 ALUMINUM, COVER LINER



ORDER WILL NOT BE RELEASED FOR FABRICATION UNTIL SIGNED COPY IS RECEIVED.

VERIFICATION AND APPROVAL OF GENERAL ARRANGEMENT AND OVERALL DIMENSIONS FOR THIS DOCUMENT ARE REQUIRED BEFORE THE ORDER IS ENTERED FOR MANUFACTURING.

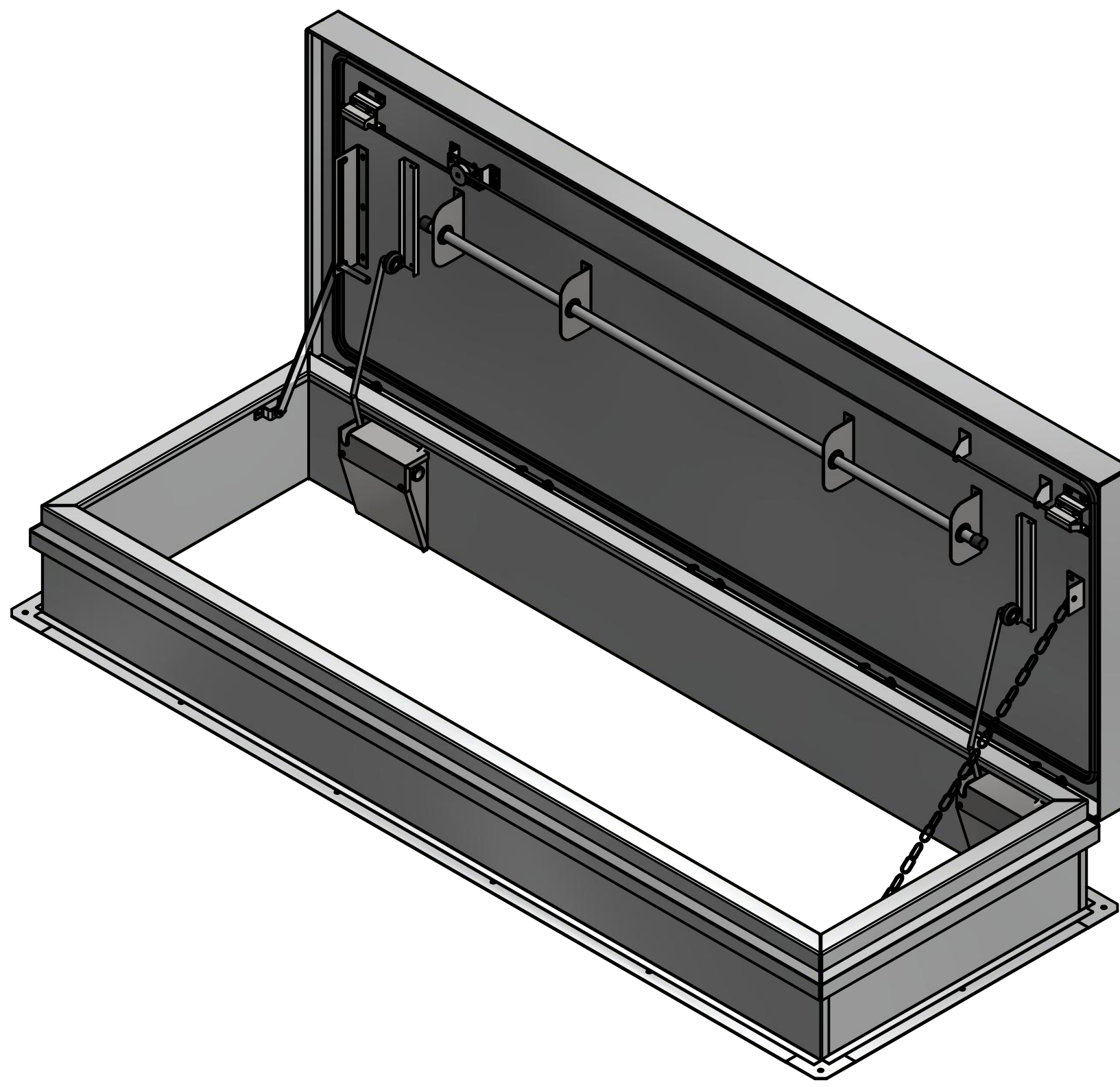
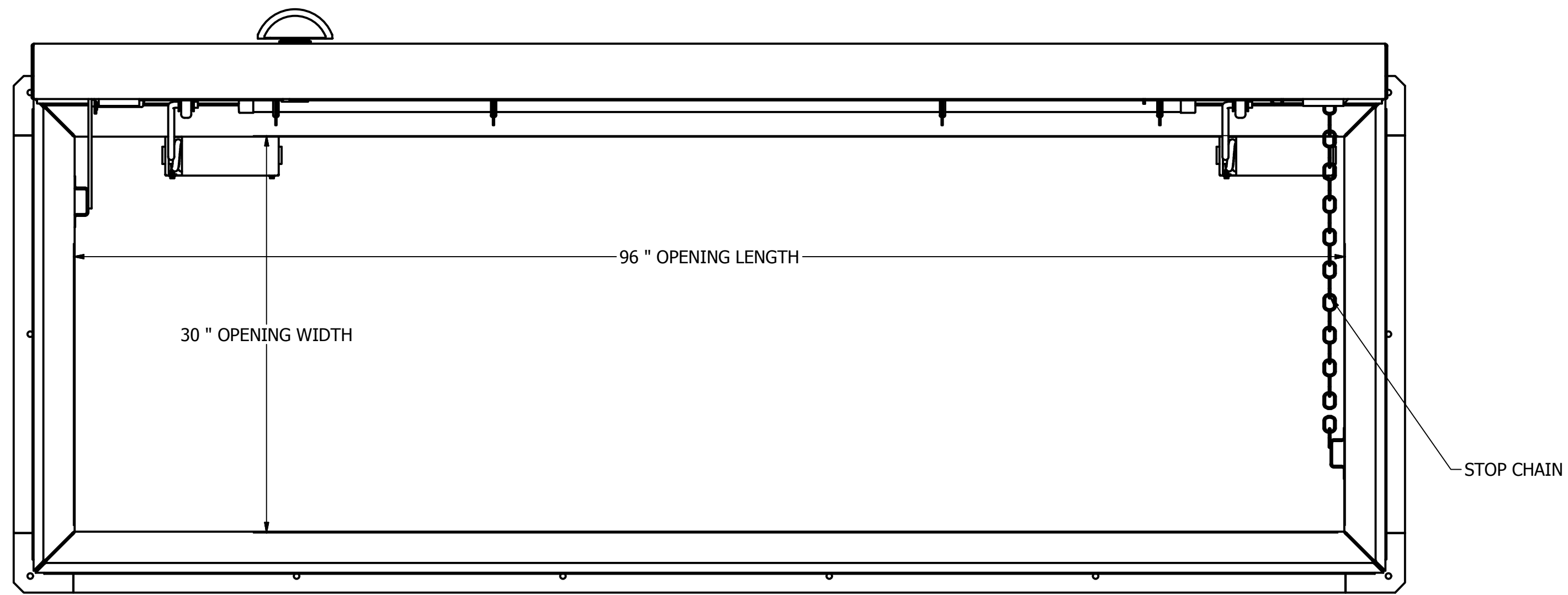
APPROVAL SIGNATURE \_\_\_\_\_

TITLE HELD \_\_\_\_\_

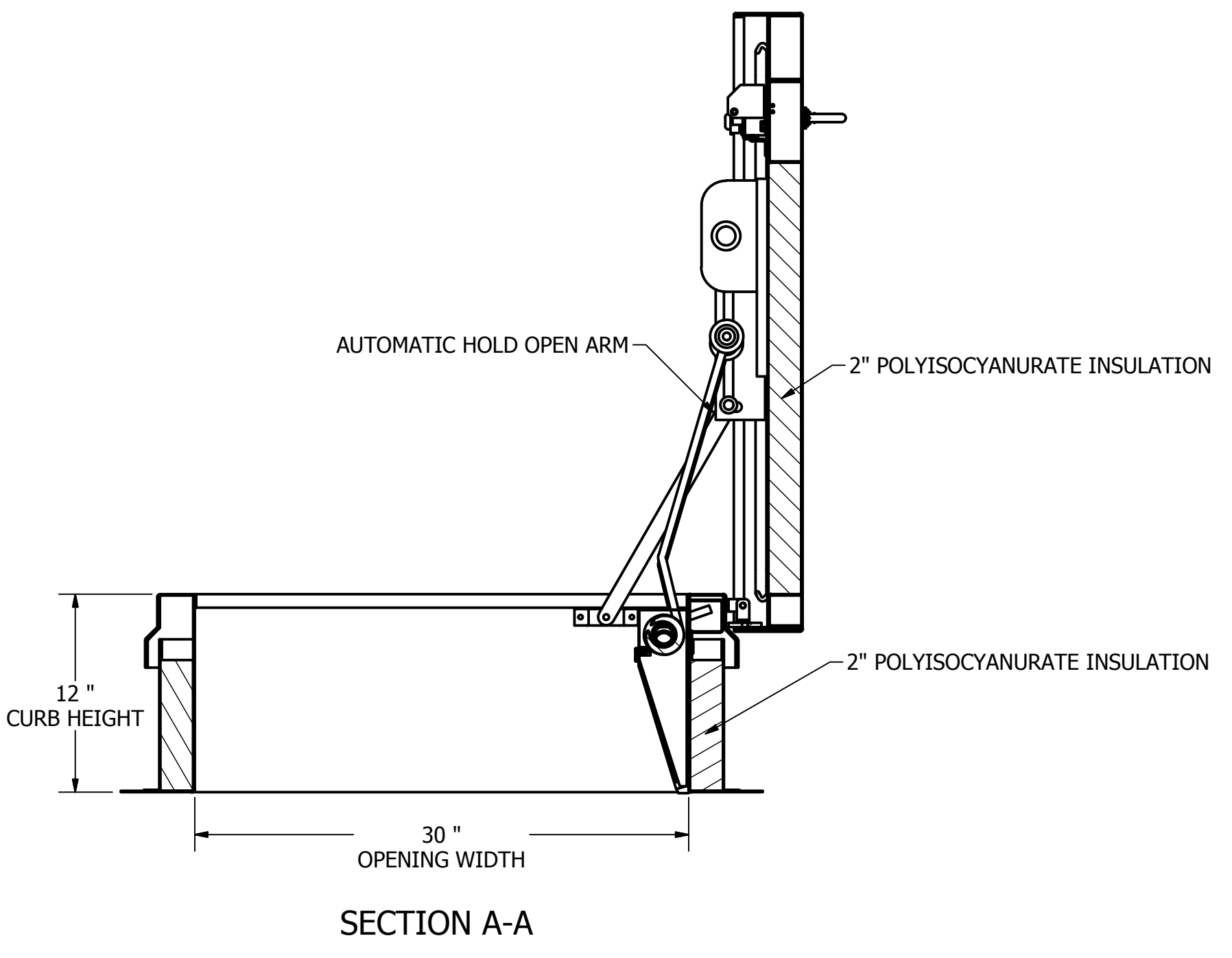
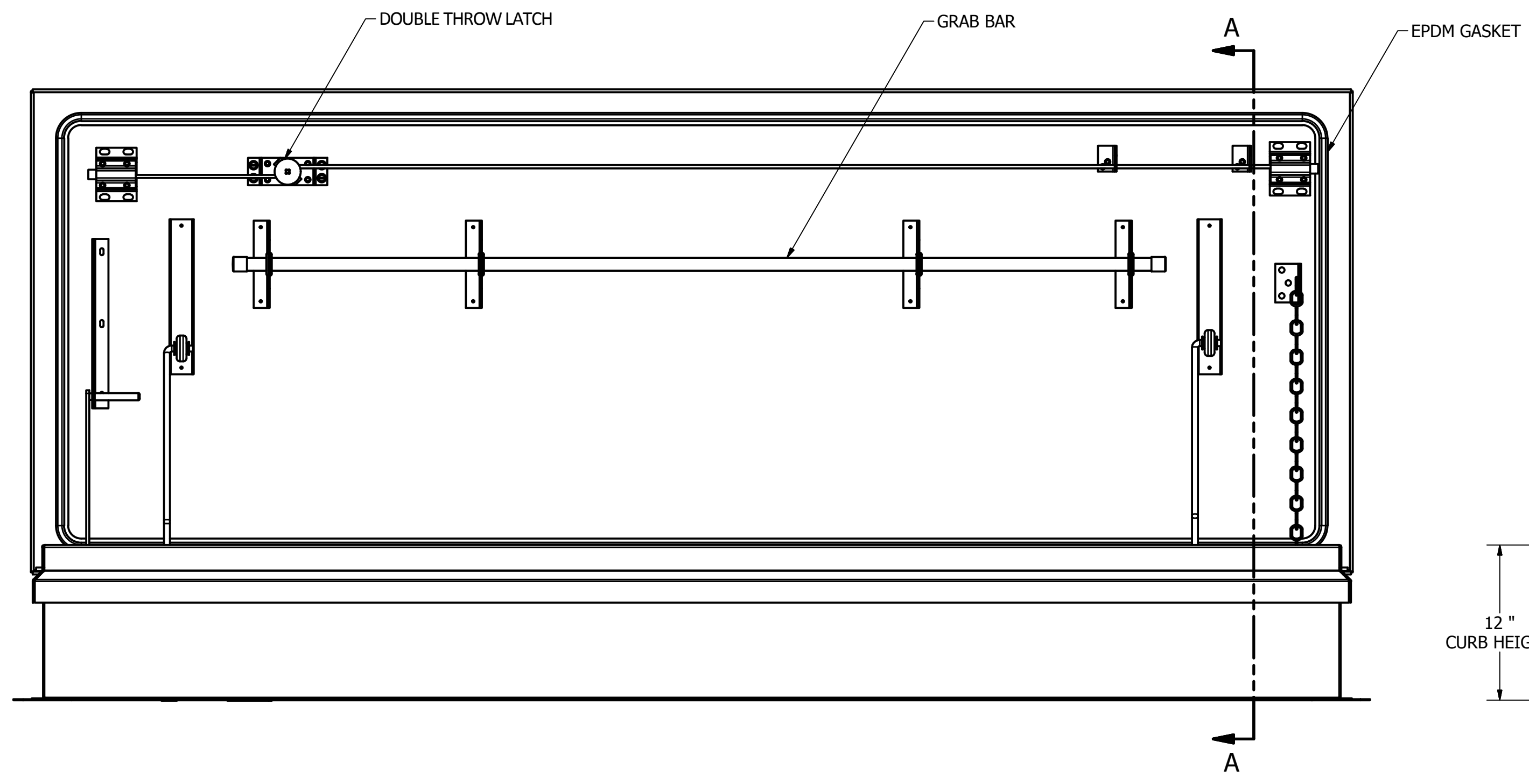
DATE OF APPROVAL \_\_\_\_\_

DRAWN	CMD	2/23/2015	Hart & Cooley Inc. Fax: 855-549-2674 www.hartandcooleyinc.com		
CHECKED	<b>MILCOR</b>		5030 Corporate Exchange Blvd. SE Grand Rapids, MI. 49512 Ph: 800-624-8642		
QA	TOLERANCE UNLESS SPECIFIED		TITLE		
MFG	.XXX ± 0.005"		RD-3 SINGLE LEAF ROOF HATCH		
APPROVED	.XX ± 0.01"		SIZE	DWG NO	REV
	FRACT. ± 1/16"		D	3501-138-9	--
	ANGLES ± 1'		SCALE	SHEET 1 OF 1	





- NOTES:
- SIZE: RD-2'6"X8'0"
- 1) 40psf COVER LIVE LOAD RATING
  - 2) MILL FINISH
  - 3) MATERIALS:
    - .090 ALUMINUM, COVER
    - .090 ALUMINUM, CURB
    - .090 ALUMINUM, COUNTER FLASHING
    - .063 ALUMINUM, COVER LINER
    - .063 ALUMINUM, CURB LINER



ORDER WILL NOT BE RELEASED FOR FABRICATION UNTIL SIGNED COPY IS RECEIVED.

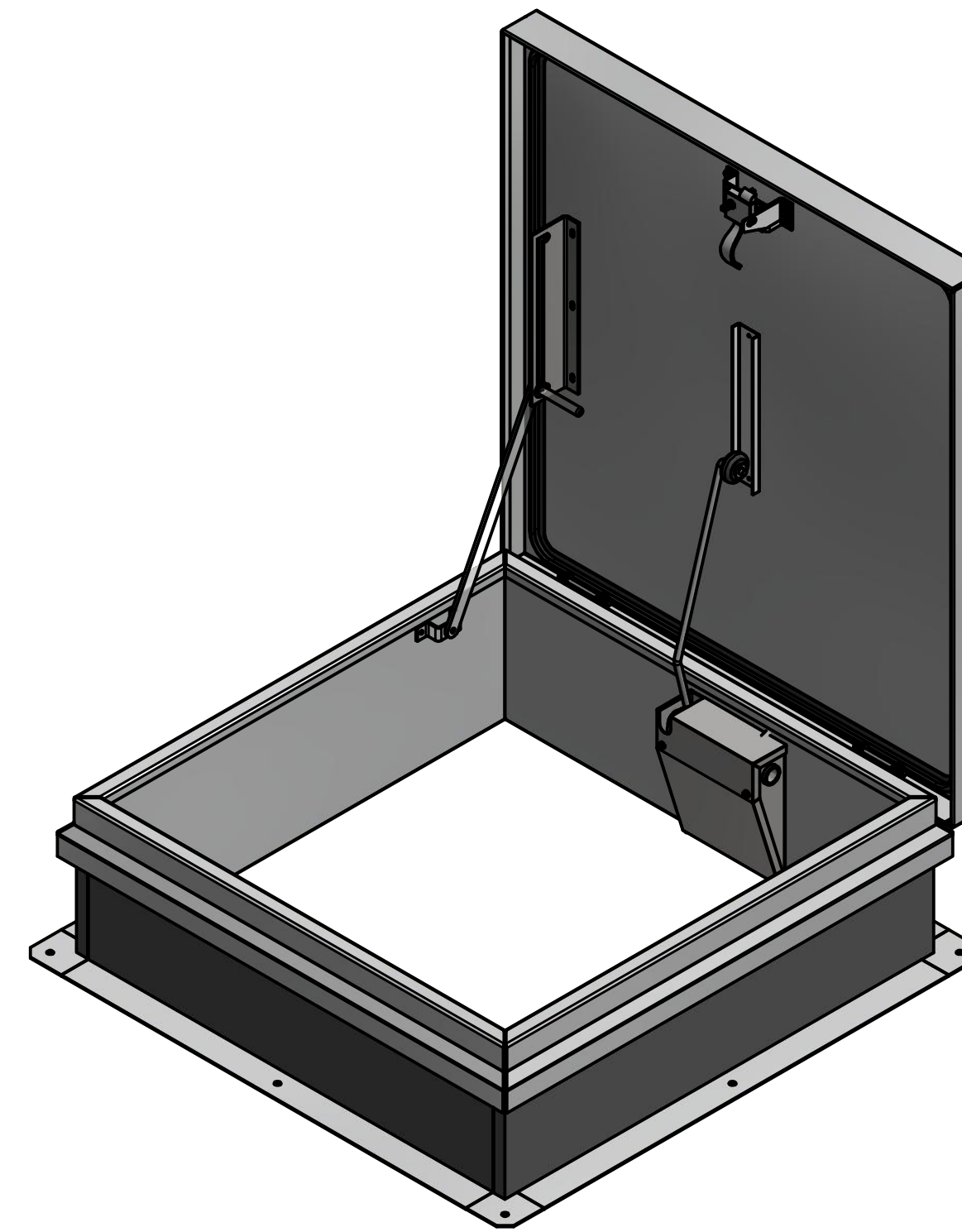
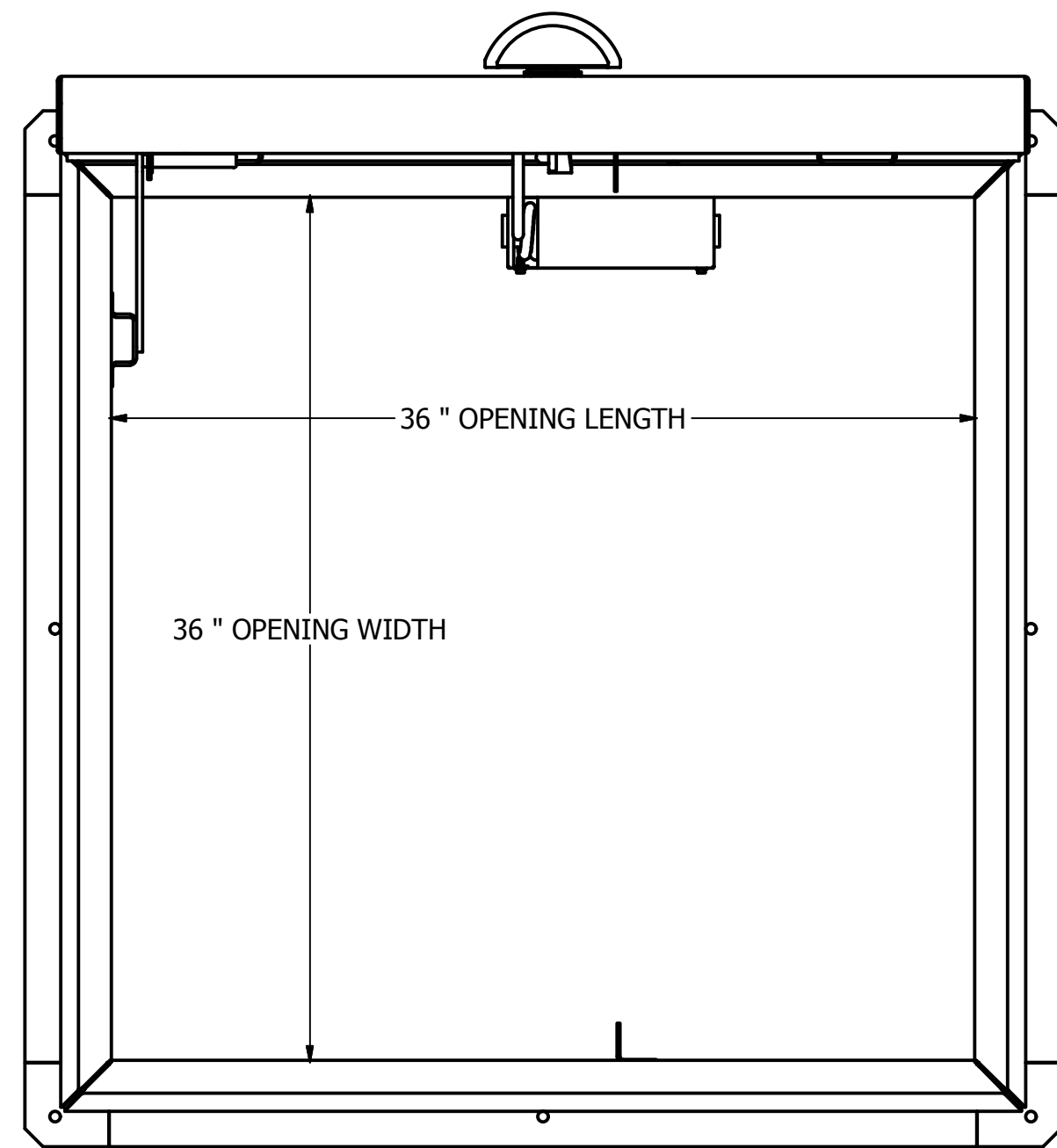
VERIFICATION AND APPROVAL OF GENERAL ARRANGEMENT AND OVERALL DIMENSIONS FOR THIS DOCUMENT ARE REQUIRED BEFORE THE ORDER IS ENTERED FOR MANUFACTURING.

APPROVAL SIGNATURE \_\_\_\_\_

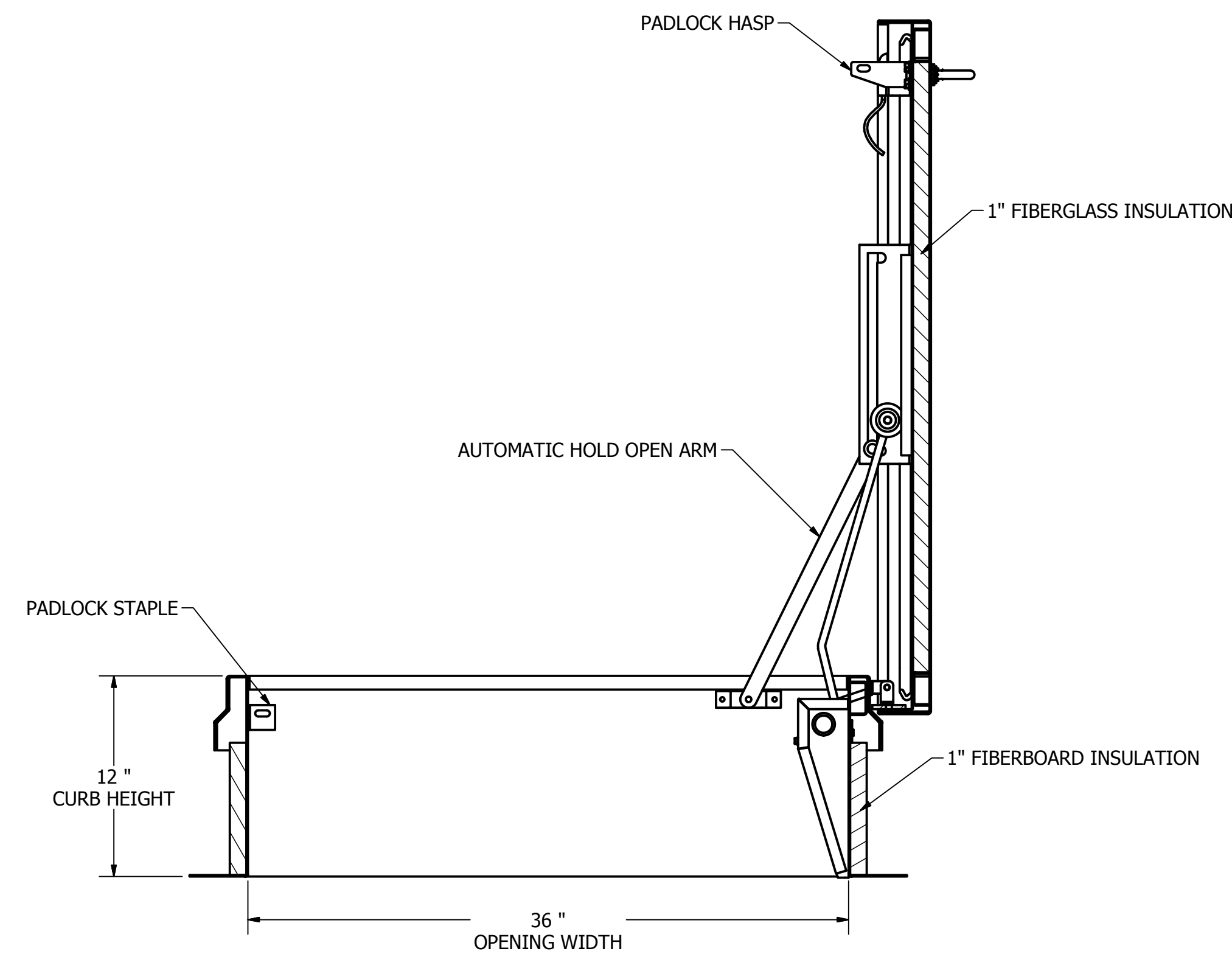
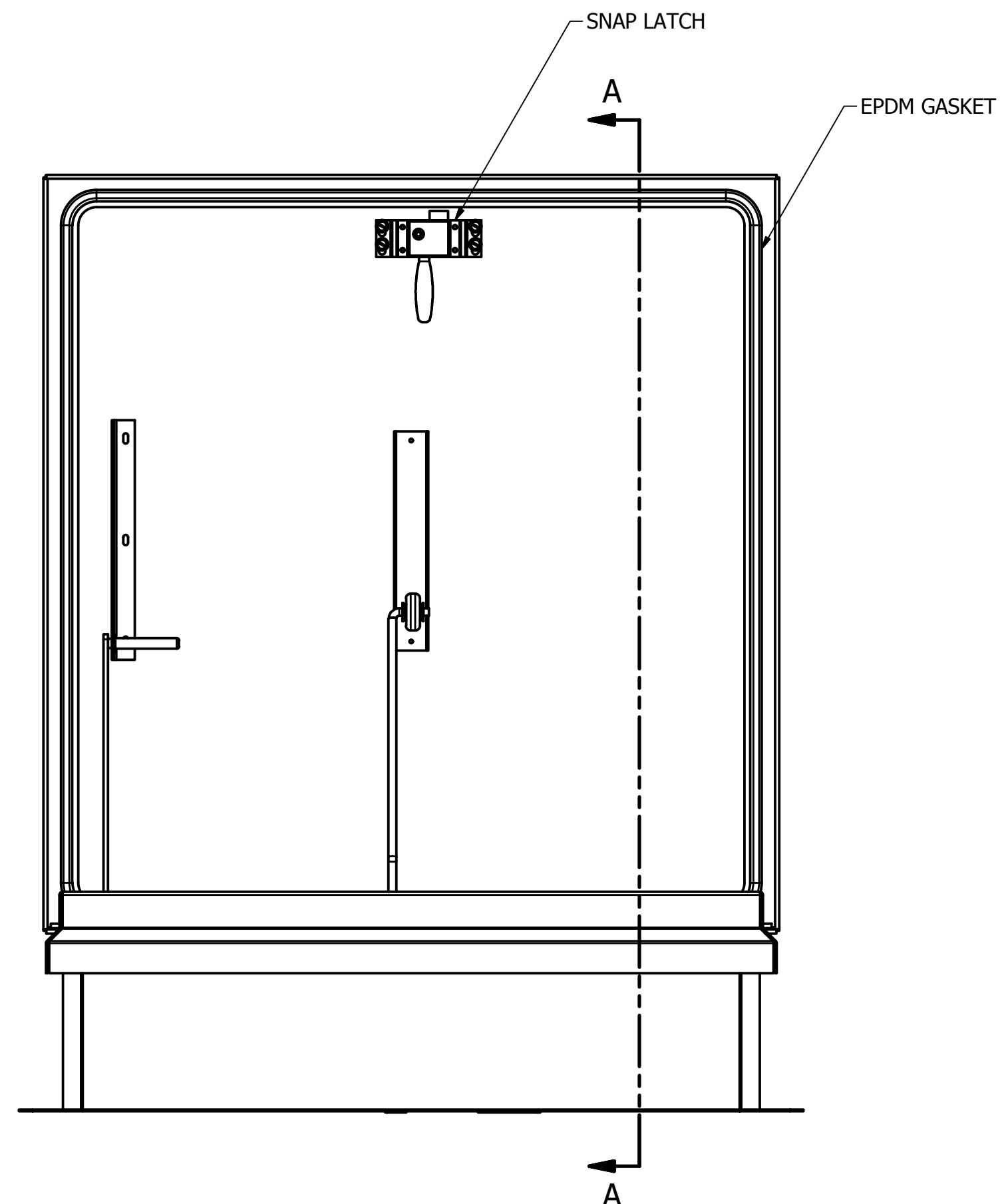
TITLE HELD \_\_\_\_\_

DATE OF APPROVAL \_\_\_\_\_

DRAWN	CMD	3/9/2015	Hart & Cooley Inc. 5030 Corporate Exchange Blvd. SE Grand Rapids, MI. 49512 Ph: 800-624-8642		
CHECKED	<b>MILCOR</b>		TITLE		
QA	TOLERANCE UNLESS SPECIFIED		RD-3 EE SINGLE LEAF ROOF HATCH		
MFG	.XXX ± 0.005"		SIZE	DWG NO	REV
APPROVED	.XX ± 0.01"		D	3501-138-9EE	--
	FRACT. ± 1/16"		SCALE	SHEET 1 OF 1	
	ANGLES ± 1'				



- NOTES:  
 SIZE: RD-3'0"X3'0"  
 1) 40psf COVER LIVE LOAD RATING  
 2) MILL FINISH  
 3) MATERIALS:  
 .090 ALUMINUM, COVER  
 .090 ALUMINUM, CURB  
 .090 ALUMINUM, COUNTER FLASHING  
 .063 ALUMINUM, COVER LINER



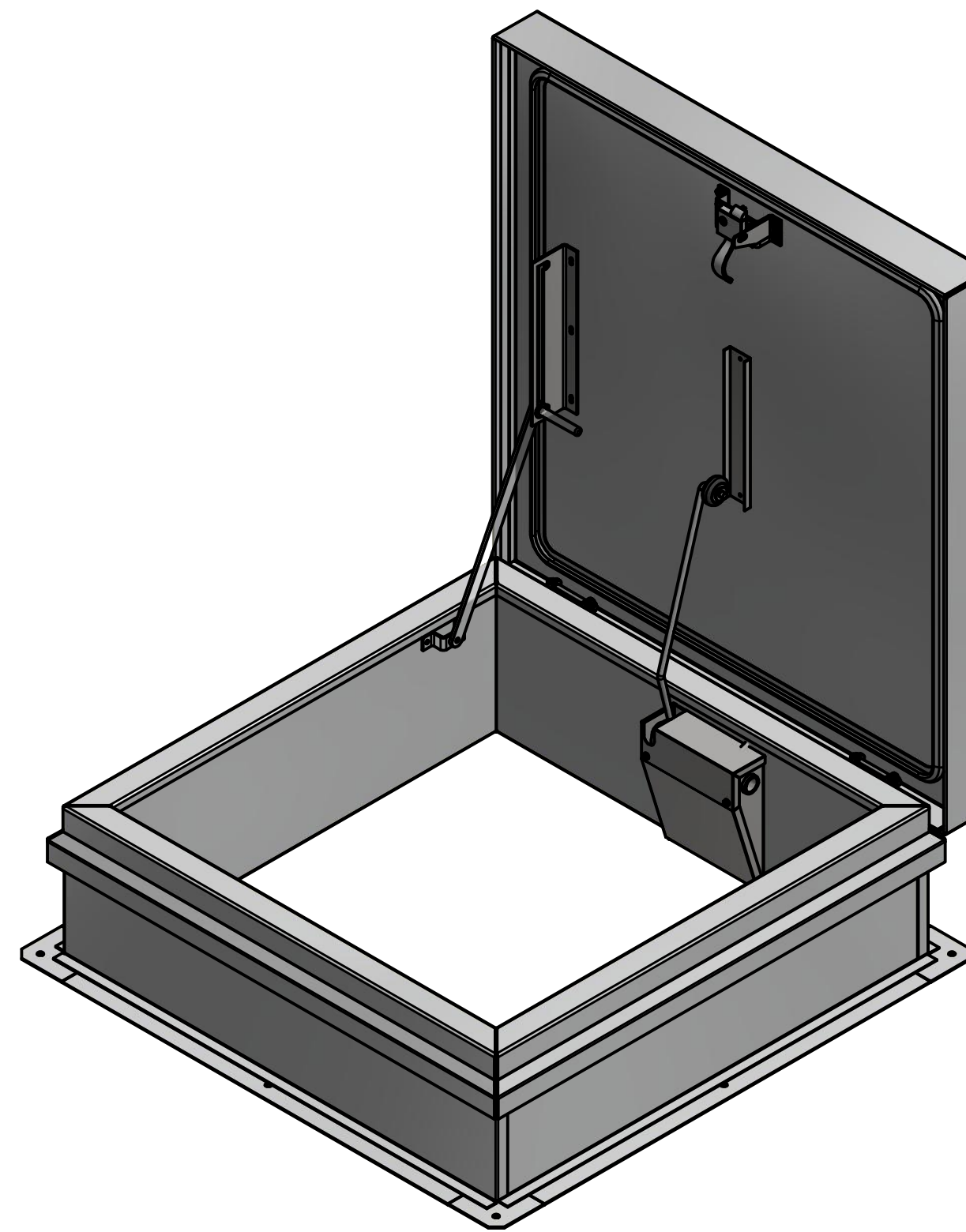
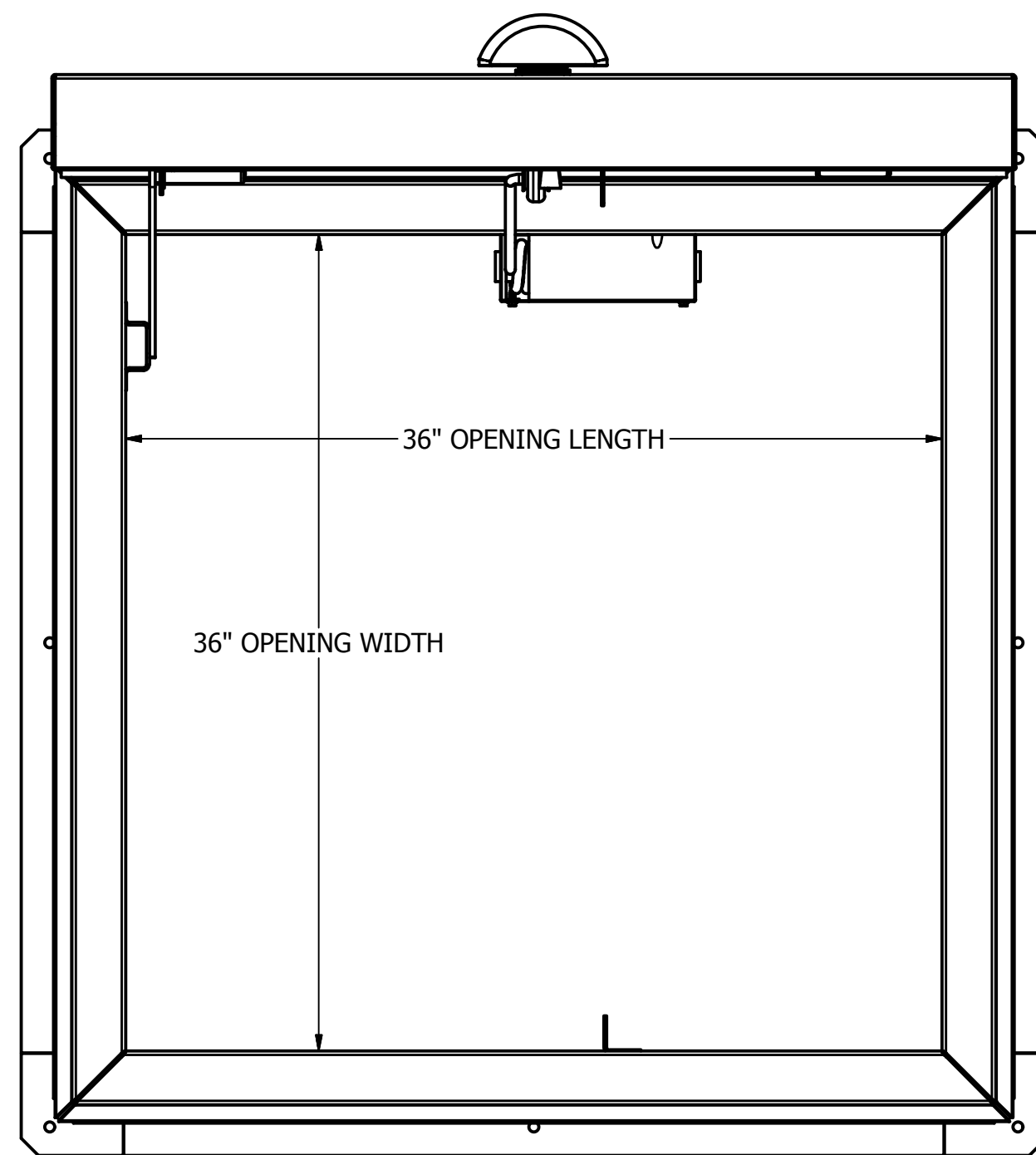
ORDER WILL NOT BE RELEASED FOR FABRICATION UNTIL SIGNED COPY IS RECEIVED.

VERIFICATION AND APPROVAL OF GENERAL ARRANGEMENT AND OVERALL DIMENSIONS FOR THIS DOCUMENT ARE REQUIRED BEFORE THE ORDER IS ENTERED FOR MANUFACTURING.

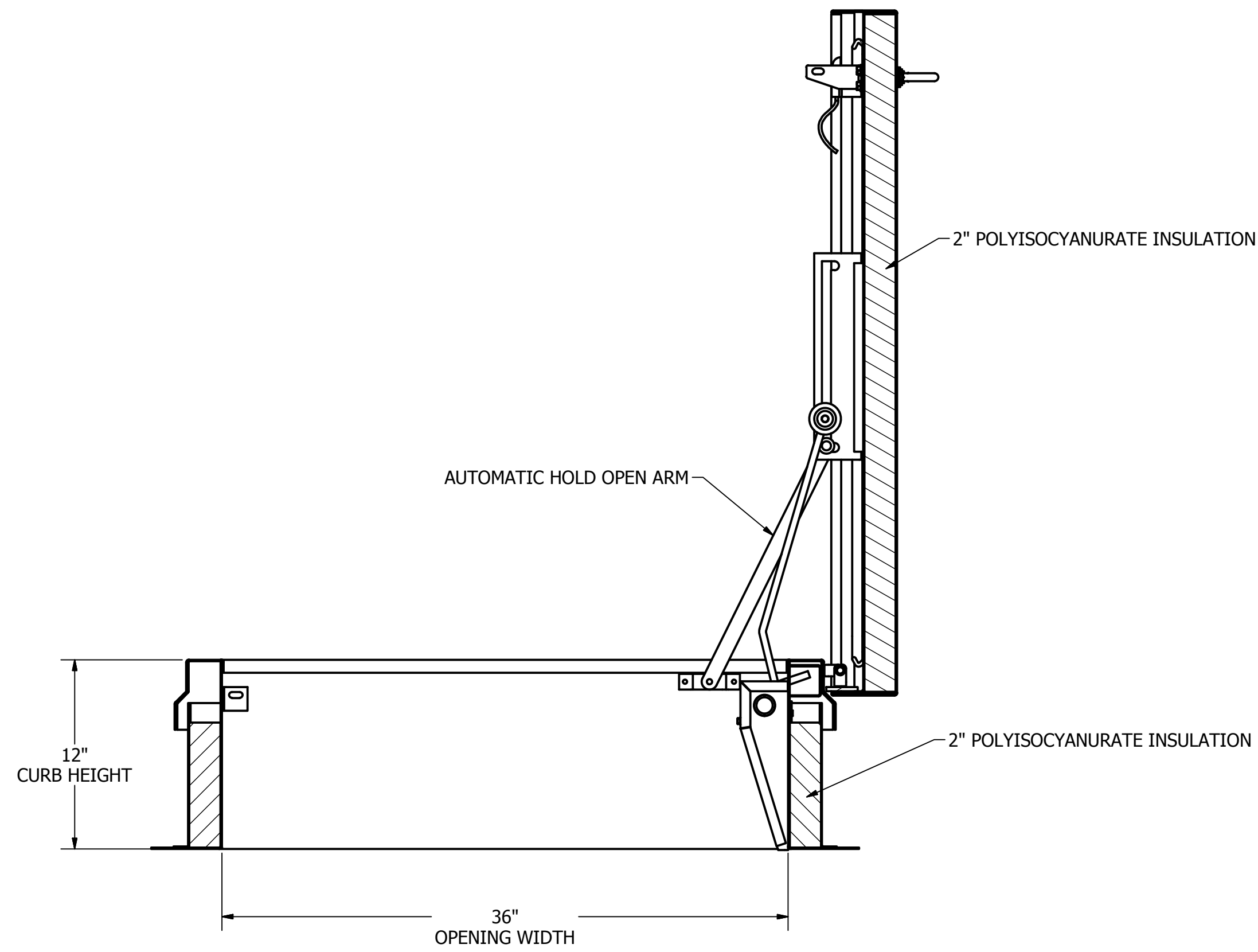
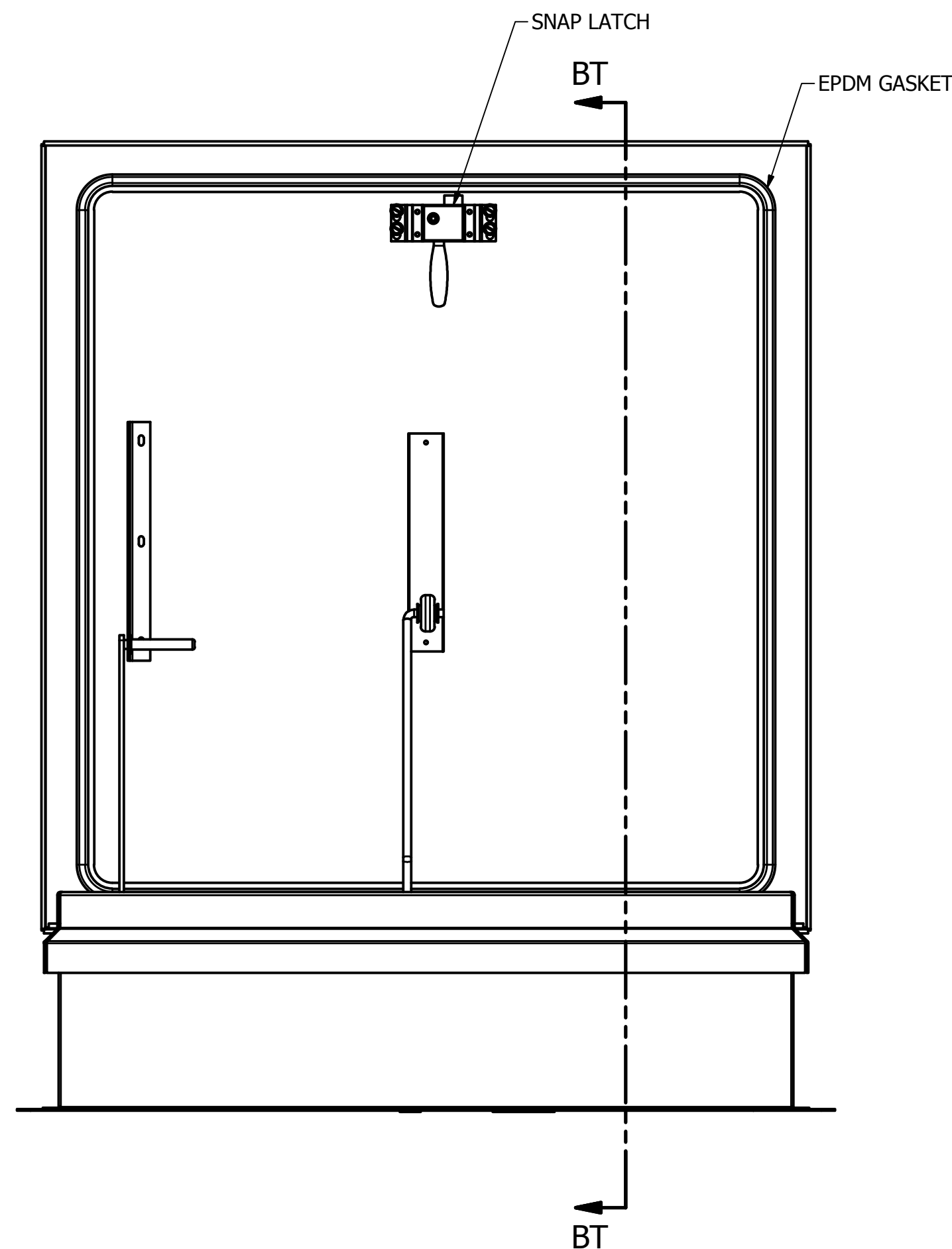
APPROVAL SIGNATURE \_\_\_\_\_  
 TITLE HELD \_\_\_\_\_  
 DATE OF APPROVAL \_\_\_\_\_

DRAWN	CMD	2/23/2015	Hart & Cooley Inc. 5030 Corporate Exchange Blvd. SE Grand Rapids, MI. 49512 Ph: 800-624-8642		
CHECKED	<b>MILCOR</b>		TITLE		
QA	TOLERANCE UNLESS SPECIFIED		RD-3X3 SINGLE LEAF ROOF HATCH		
MFG	.XXX ± 0.005"		SIZE	DWG NO	REV
APPROVED	.XX ± 0.01"		D	3501-710-9	--
	FRACT. ± 1/16"		SCALE		
	ANGLES ± 1'		SHEET 1 OF 1		





- NOTES:  
 SIZE: RD-3'0"X3'0"  
 1) 40psf COVER LIVE LOAD RATING  
 2) MILL FINISH  
 3) MATERIALS:  
 .090 ALUMINUM, COVER  
 .090 ALUMINUM, CURB  
 .090 ALUMINUM, COUNTER FLASHING  
 .063 ALUMINUM, COVER LINER  
 .063 ALUMINUM, CURB LINER



SECTION BT-BT

ORDER WILL NOT BE RELEASED FOR FABRICATION UNTIL SIGNED COPY IS RECEIVED.

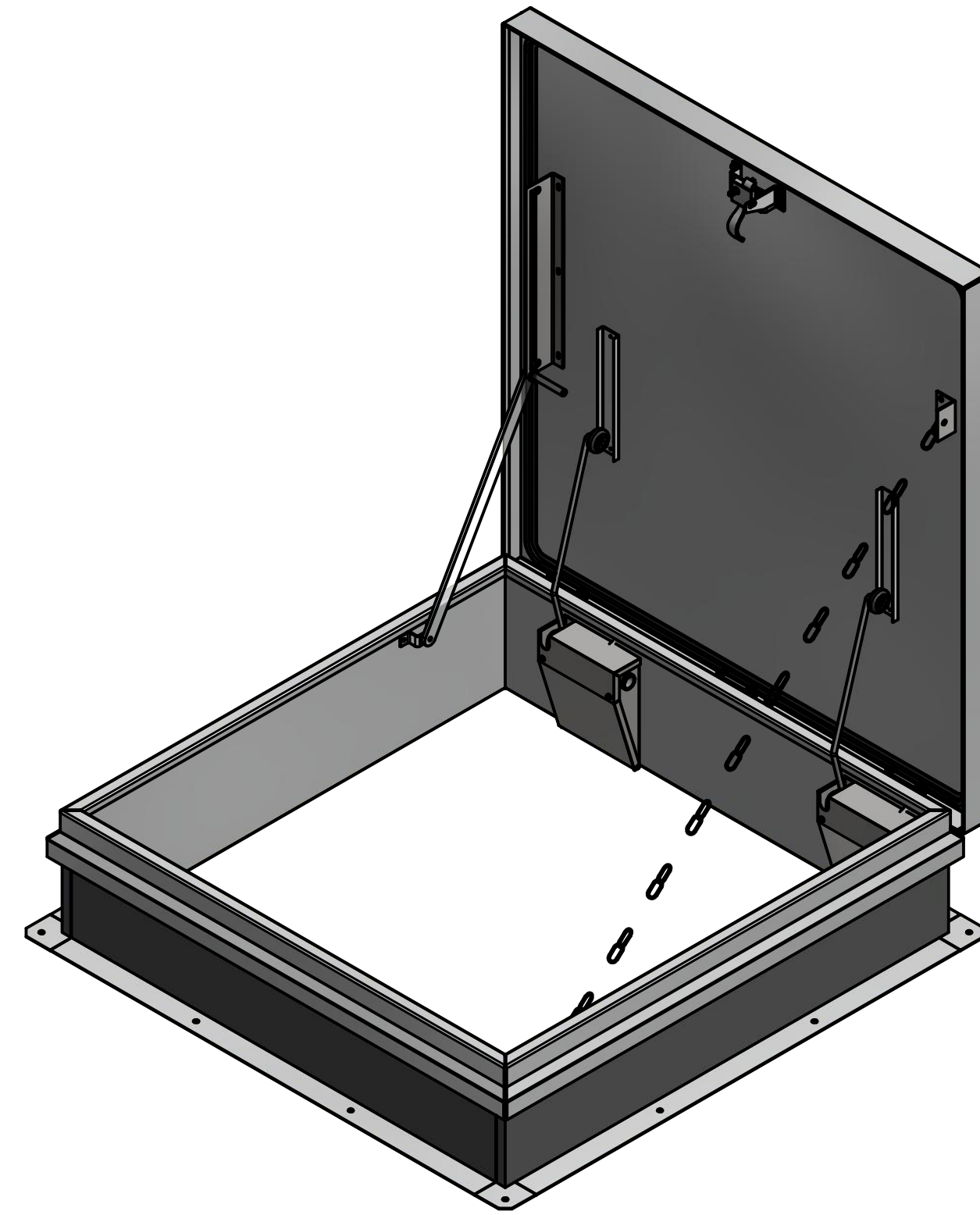
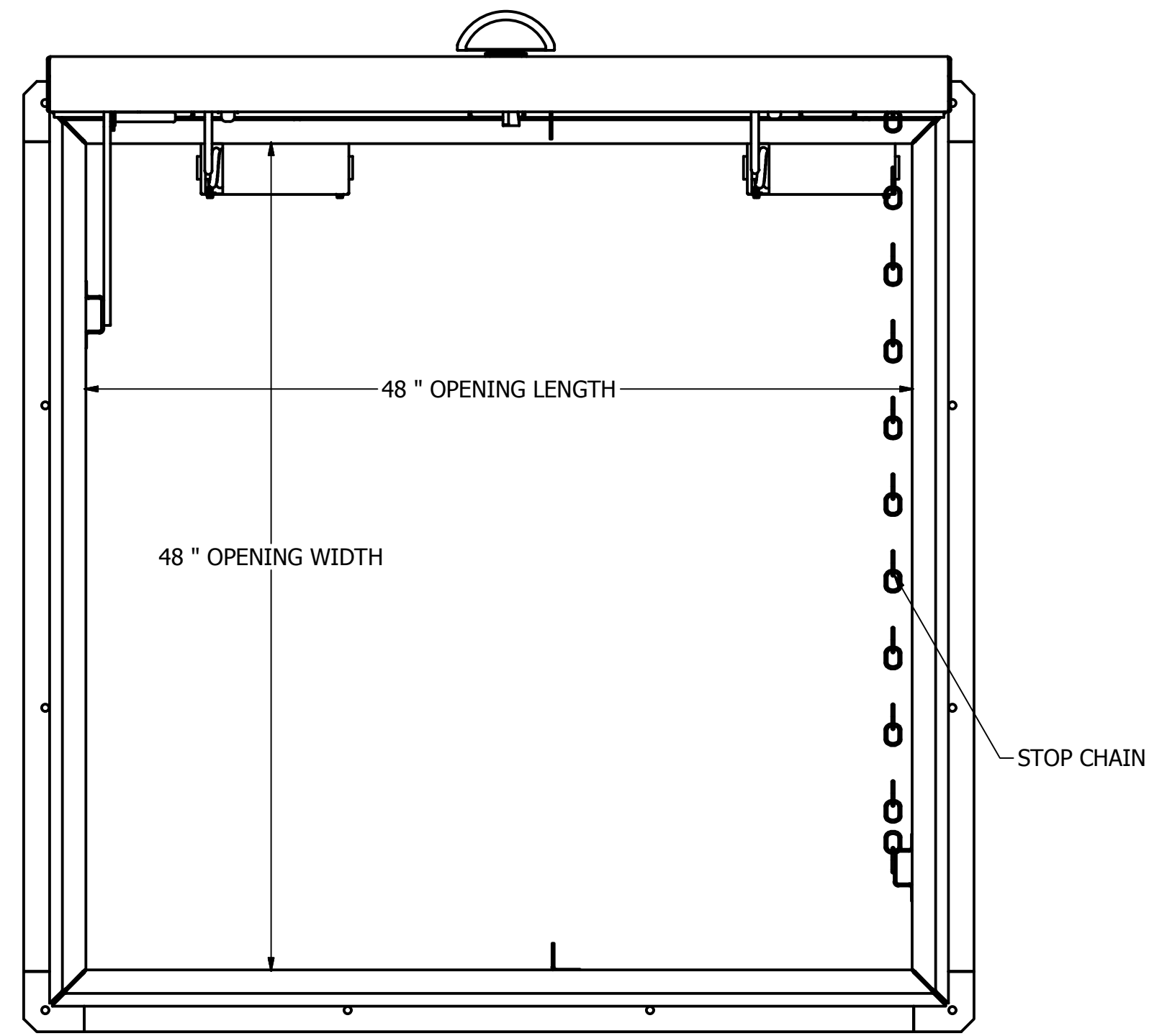
VERIFICATION AND APPROVAL OF GENERAL ARRANGEMENT AND OVERALL DIMENSIONS FOR THIS DOCUMENT ARE REQUIRED BEFORE THE ORDER IS ENTERED FOR MANUFACTURING.

APPROVAL SIGNATURE \_\_\_\_\_

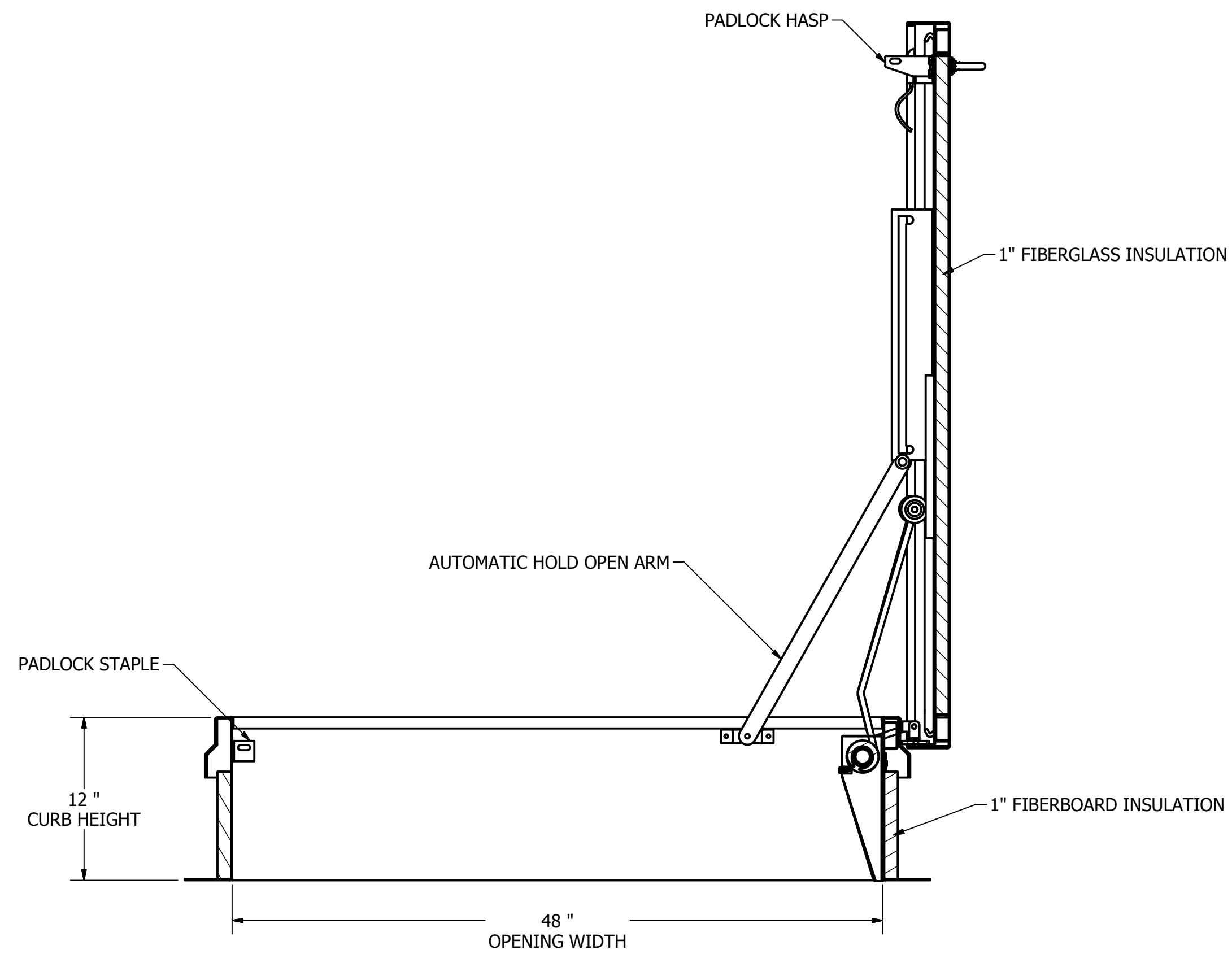
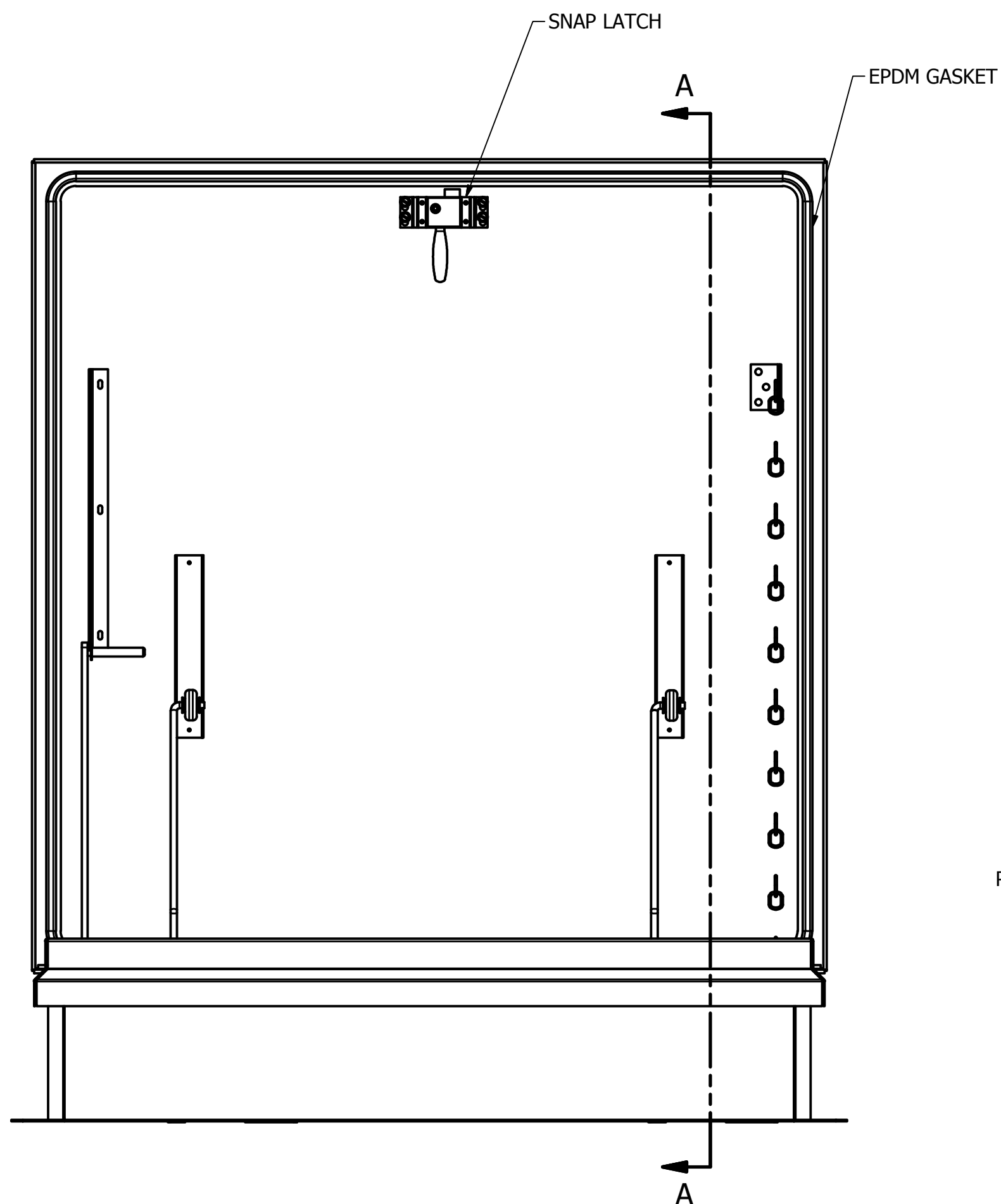
TITLE HELD \_\_\_\_\_

DATE OF APPROVAL \_\_\_\_\_

DRAWN	CMD	3/2/2015	Hart & Cooley Inc. 5030 Corporate Exchange Blvd. SE Grand Rapids, MI. 49512 Ph: 800-624-8642		
CHECKED	<b>MILCOR</b>		TITLE		
QA	TOLERANCE UNLESS SPECIFIED		RD-3X3 EE SINGLE LEAF ROOF HATCH		
MFG	.XXX ± 0.005"		SIZE	DWG NO	REV
APPROVED	.XX ± 0.01"		D	3501-710-9EE	--
	FRACT. ± 1/16"		SCALE	SHEET 1 OF 1	
	ANGLES ± 1'				



- NOTES:
- SIZE: RD-4'0"X4'0"
- 1) 40psf COVER LIVE LOAD RATING
  - 2) MILL FINISH
  - 3) MATERIALS:
    - .090 ALUMINUM, COVER
    - .090 ALUMINUM, CURB
    - .090 ALUMINUM, COUNTER FLASHING
    - .063 ALUMINUM, COVER LINER



ORDER WILL NOT BE RELEASED FOR FABRICATION UNTIL SIGNED COPY IS RECEIVED.

VERIFICATION AND APPROVAL OF GENERAL ARRANGEMENT AND OVERALL DIMENSIONS FOR THIS DOCUMENT ARE REQUIRED BEFORE THE ORDER IS ENTERED FOR MANUFACTURING.

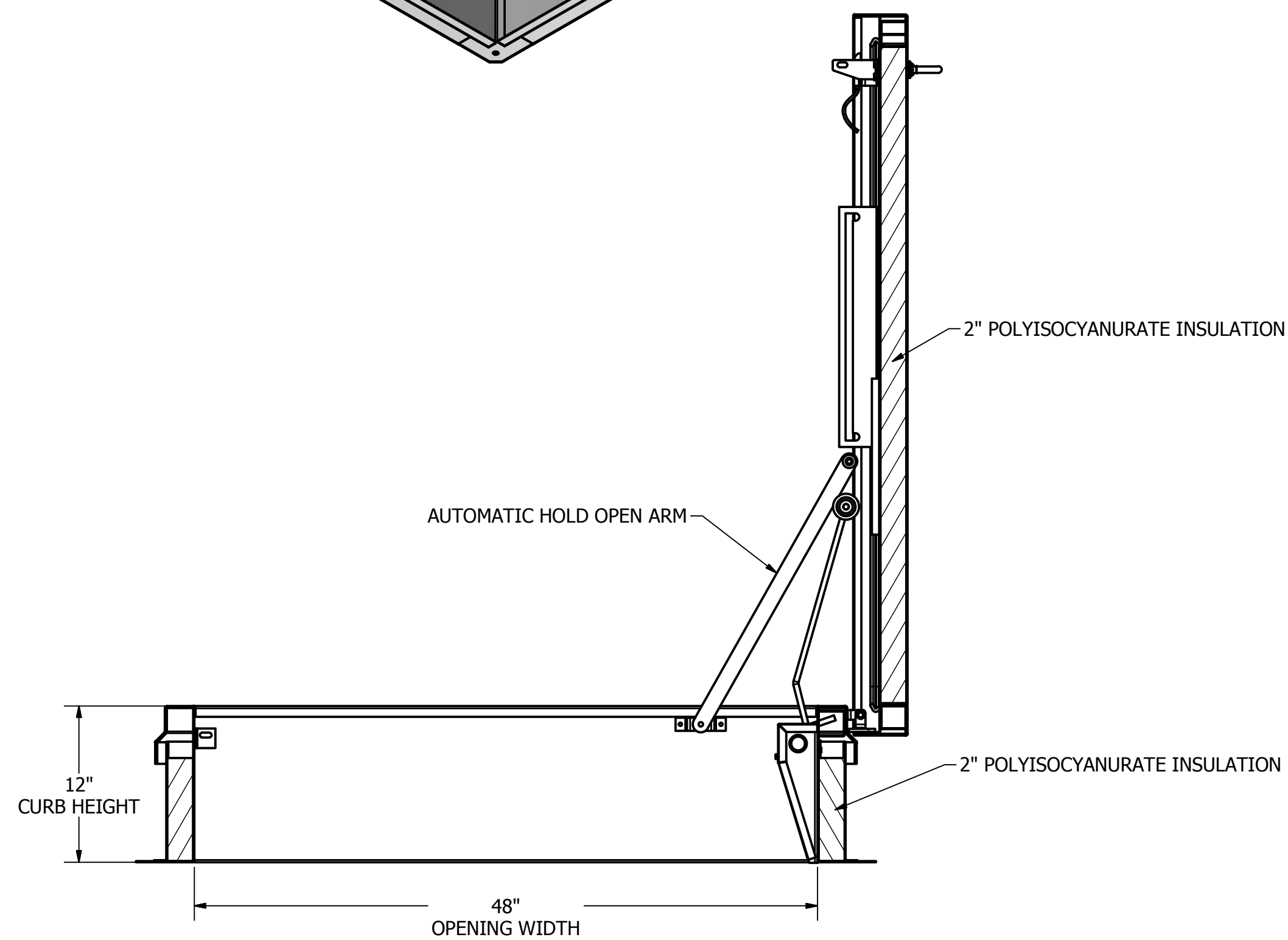
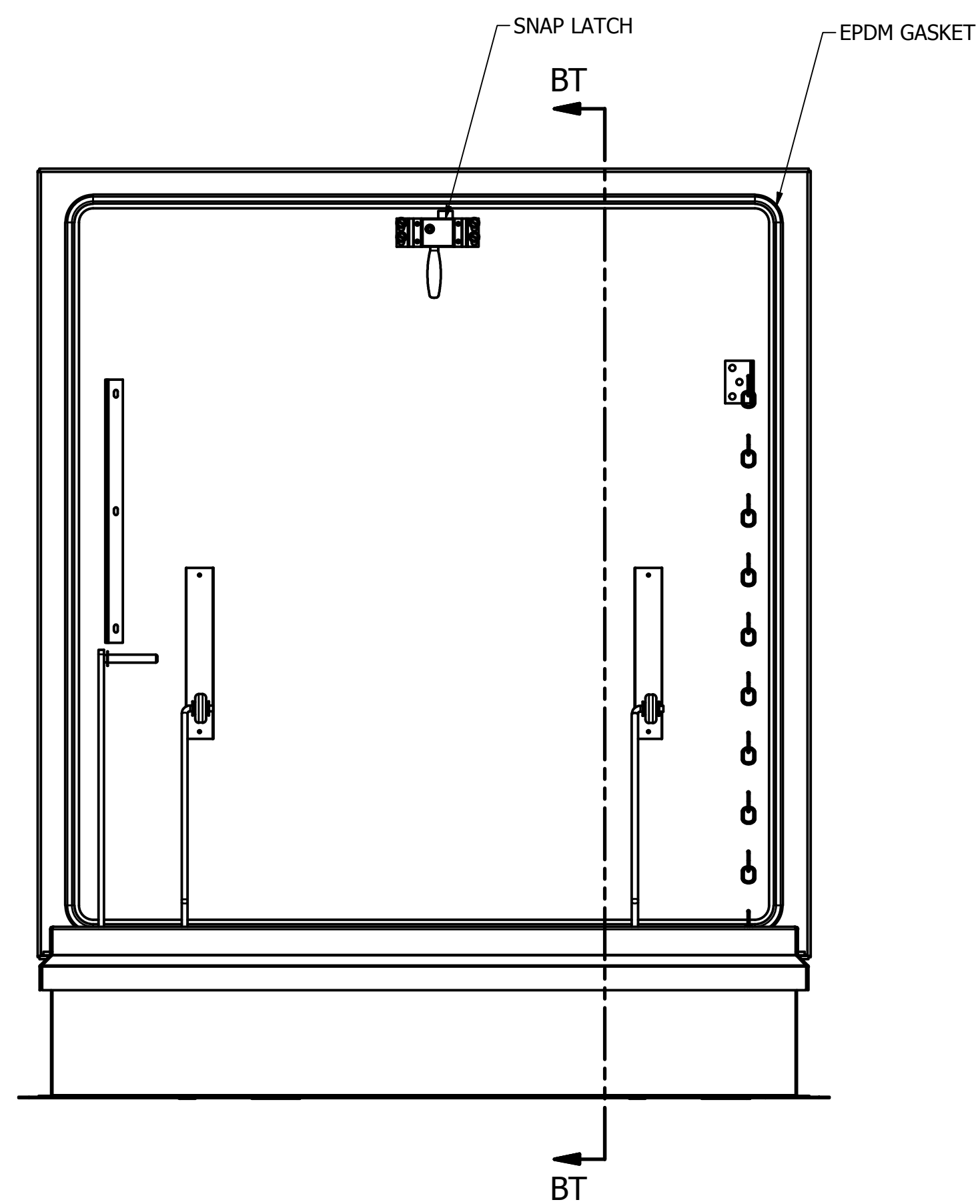
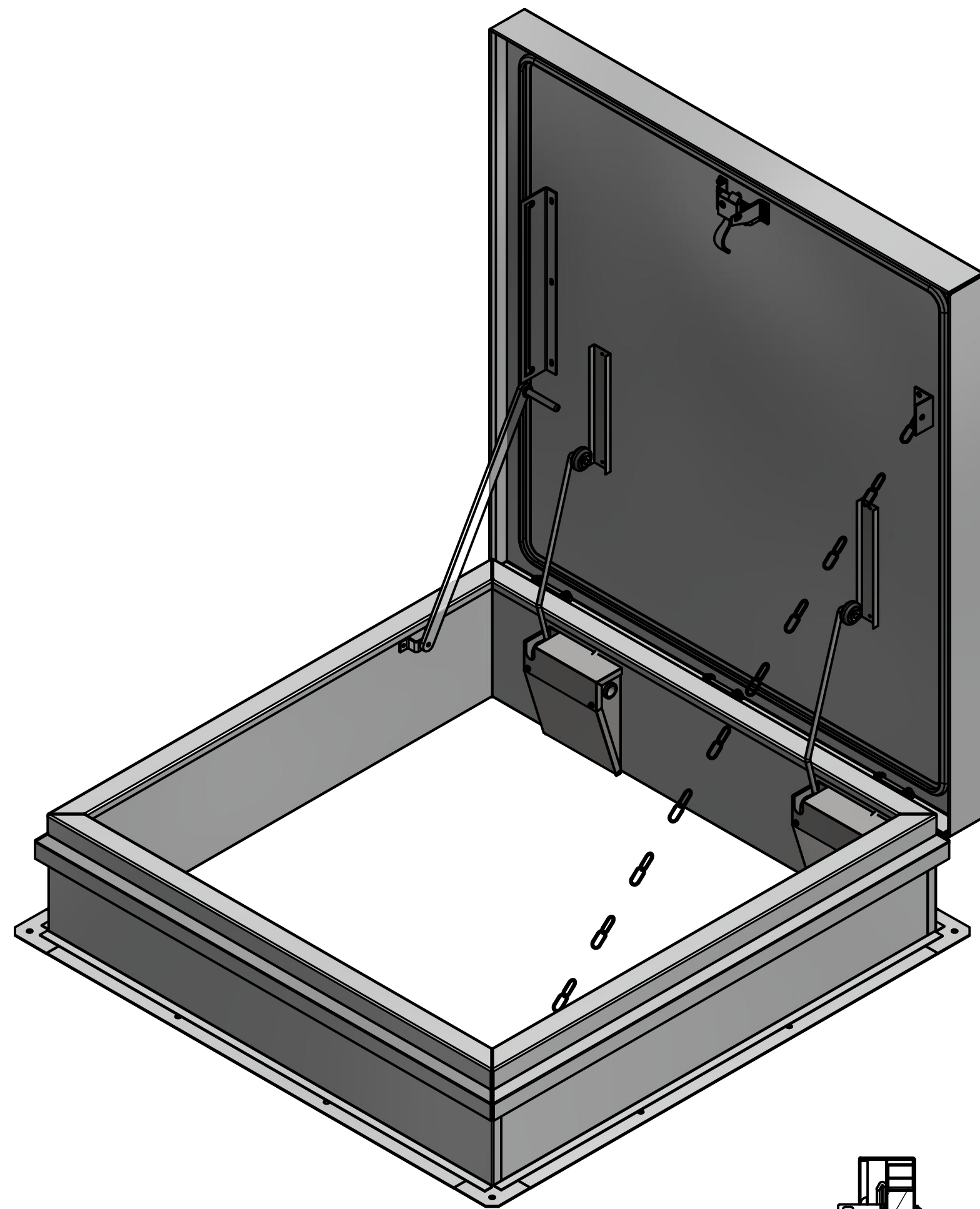
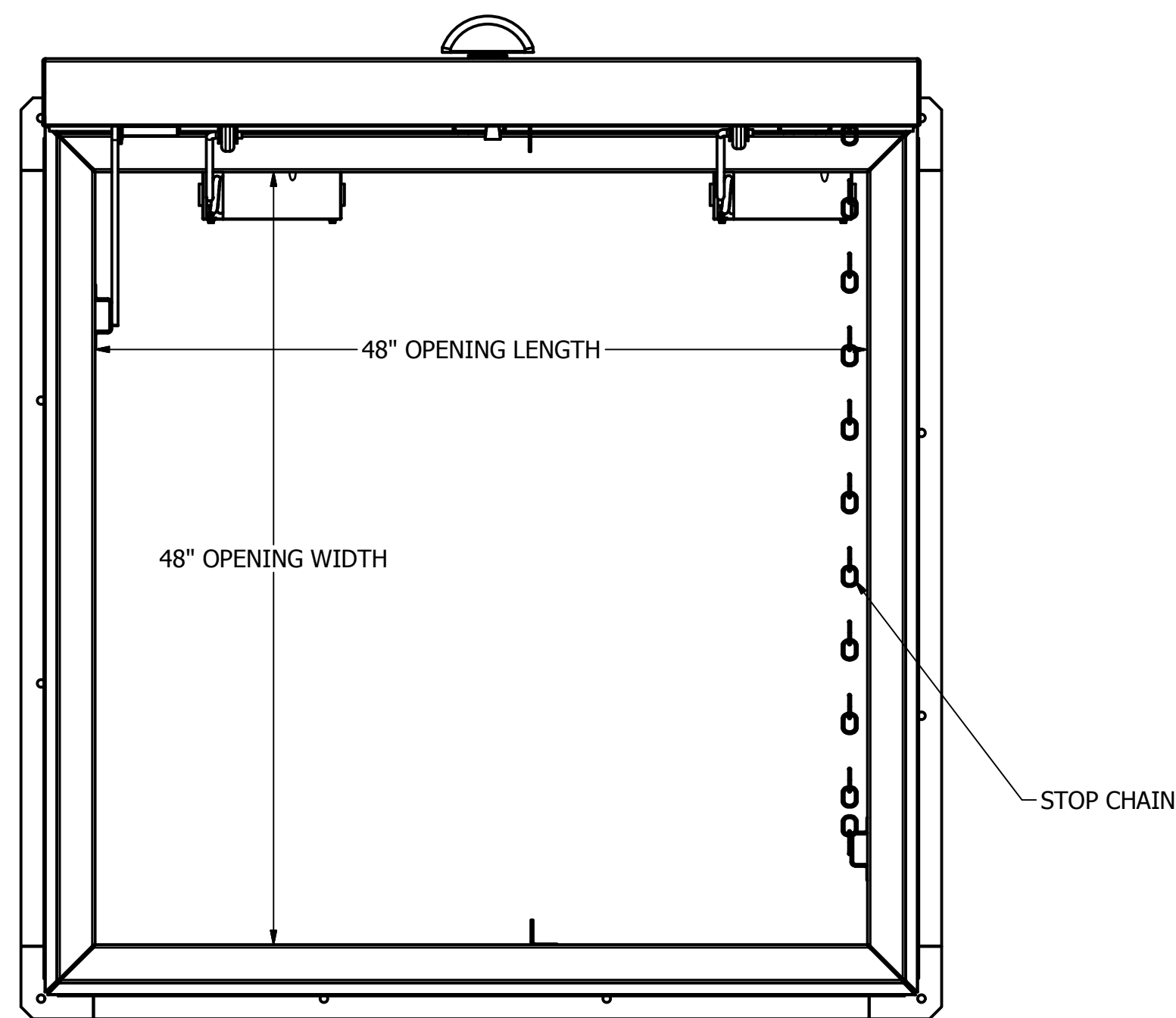
APPROVAL SIGNATURE \_\_\_\_\_

TITLE HELD \_\_\_\_\_

DATE OF APPROVAL \_\_\_\_\_

DRAWN	CMD	3/2/2015	Hart & Cooley Inc. 5030 Corporate Exchange Blvd. SE Grand Rapids, MI. 49512 Ph: 800-624-8642		
CHECKED	<b>MILCOR</b>		TITLE		
QA	TOLERANCE UNLESS SPECIFIED		RD-4X4 SINGLE LEAF ROOF HATCH		
MFG	.XXX ± 0.005"		SIZE	DWG NO	REV
APPROVED	.XX ± 0.01"		D	3501-306-9	--
	FRACT. ± 1/16"		SCALE	SHEET 1 OF 1	
	ANGLES ± 1'				





SECTION BT-BT

- NOTES:  
 SIZE: RD-4'0"X4'0"  
 1) 40psf COVER LIVE LOAD RATING  
 2) MILL FINISH  
 3) MATERIALS:  
 .090 ALUMINUM, COVER  
 .090 ALUMINUM, CURB  
 .090 ALUMINUM, COUNTER FLASHING  
 .063 ALUMINUM, COVER LINER  
 .063 ALUMINUM, CURB LINER

ORDER WILL NOT BE RELEASED FOR FABRICATION UNTIL SIGNED COPY IS RECEIVED.

VERIFICATION AND APPROVAL OF GENERAL ARRANGEMENT AND OVERALL DIMENSIONS FOR THIS DOCUMENT ARE REQUIRED BEFORE THE ORDER IS ENTERED FOR MANUFACTURING.

APPROVAL SIGNATURE \_\_\_\_\_

TITLE HELD \_\_\_\_\_

DATE OF APPROVAL \_\_\_\_\_

DRAWN	CMD	3/2/2015	Hart & Cooley Inc. Fax: 855-549-2674 www.hartandcooleyinc.com		
CHECKED	<b>MILCOR</b>		5030 Corporate Exchange Blvd. SE Grand Rapids, MI. 49512 Ph: 800-624-8642		
QA	TOLERANCE UNLESS SPECIFIED		TITLE		
MFG	.XXX ± 0.005"		RD-4X4 EE SINGLE LEAF ROOF HATCH		
APPROVED	.XX ± 0.01"		SIZE	DWG NO	REV
	FRACT. ± 1/16"		D	3501-306-9EE	--
	ANGLES ± 1'		SCALE	SHEET 1 OF 1	