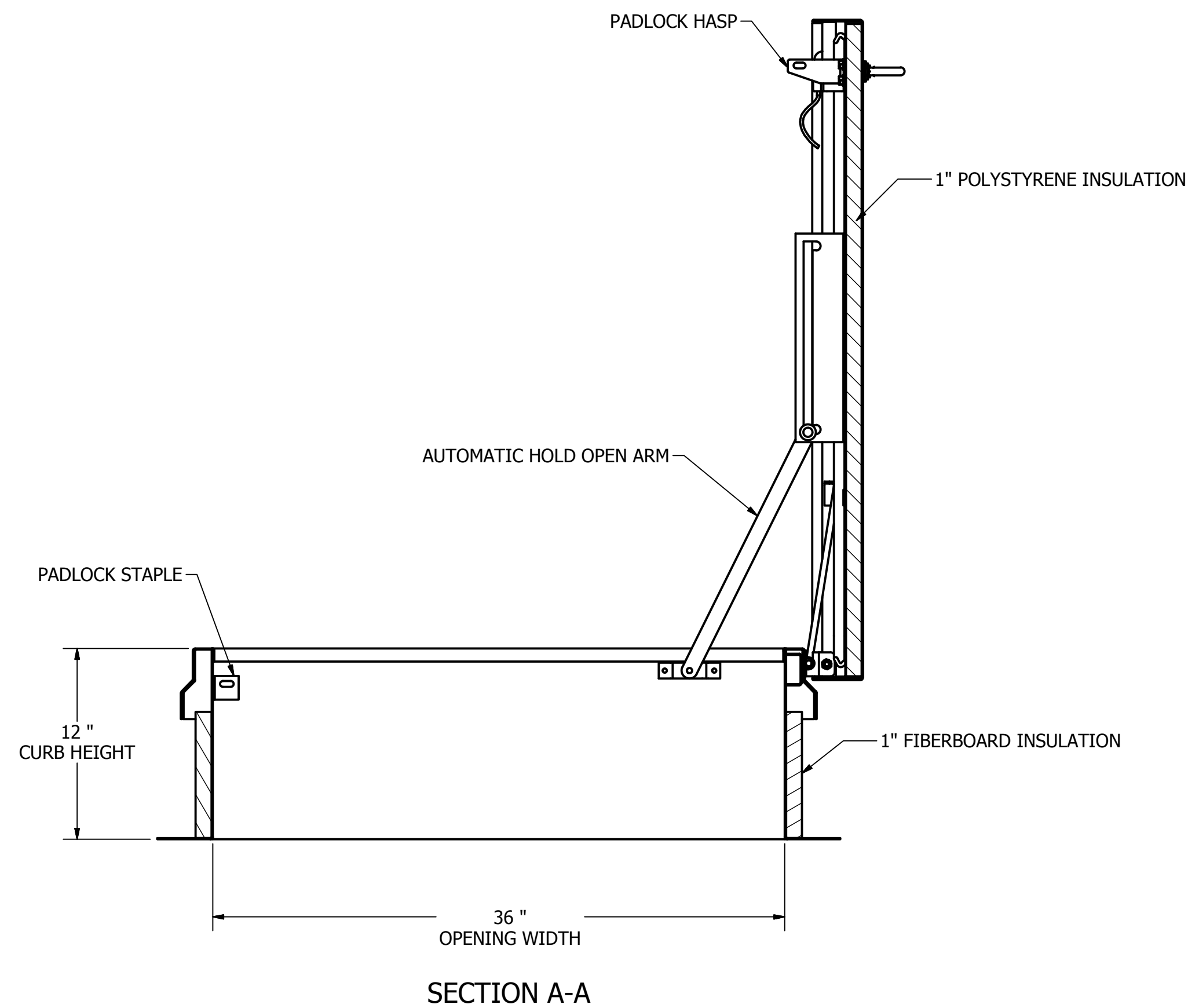
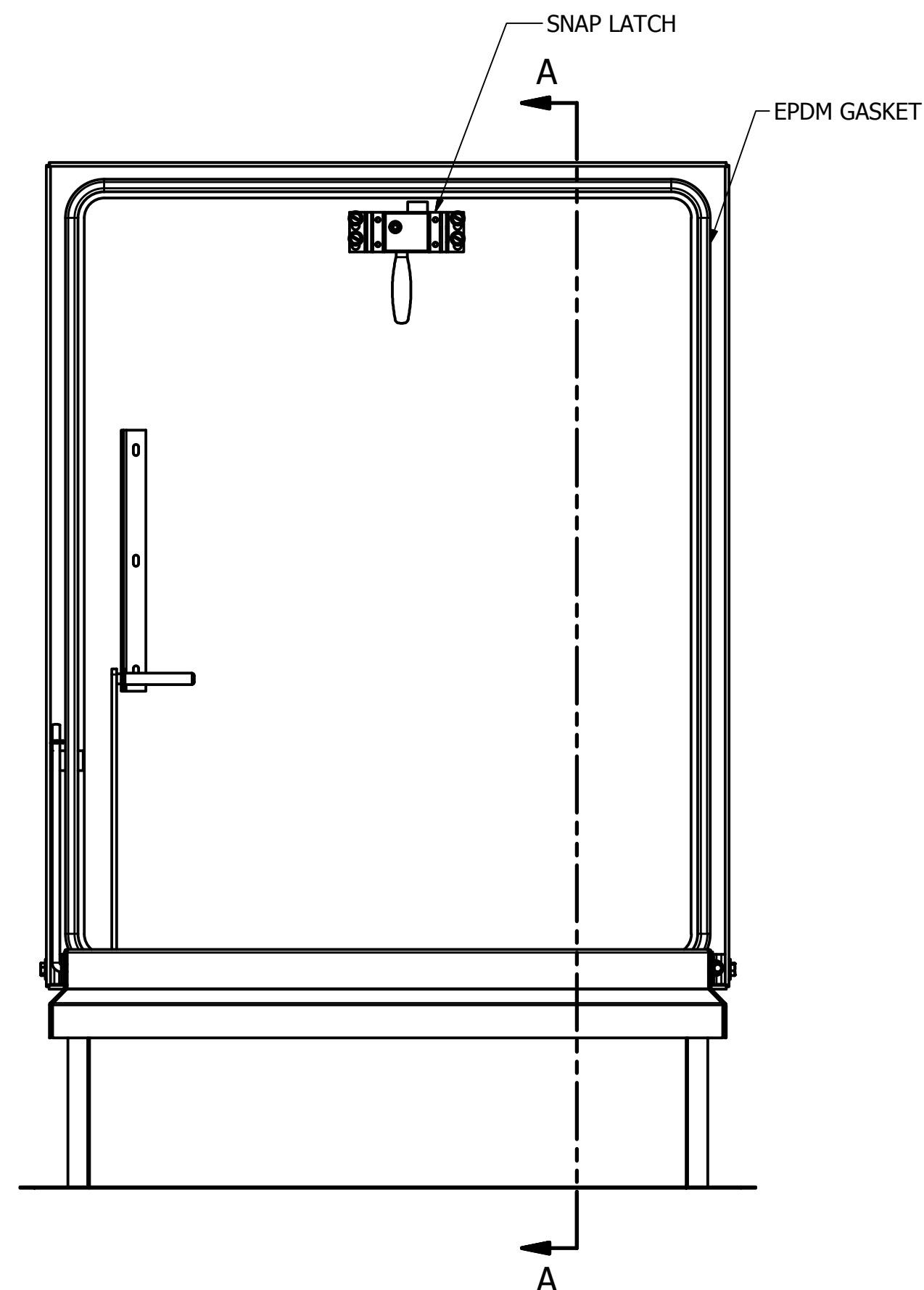


- NOTES:
 SIZE: M-3'0"X2'6"
 1) 70psf COVER LIVE LOAD RATING
 2) HATCH POWDERCOATED WHITE
 3) MATERIALS:
 14ga GALVANIZED, COVER
 14ga GALVANIZED, CURB
 14ga GALVANIZED, COUNTER FLASHING
 22ga GALVANIZED, COVER LINER



ORDER WILL NOT BE RELEASED FOR FABRICATION UNTIL SIGNED COPY IS RECEIVED.

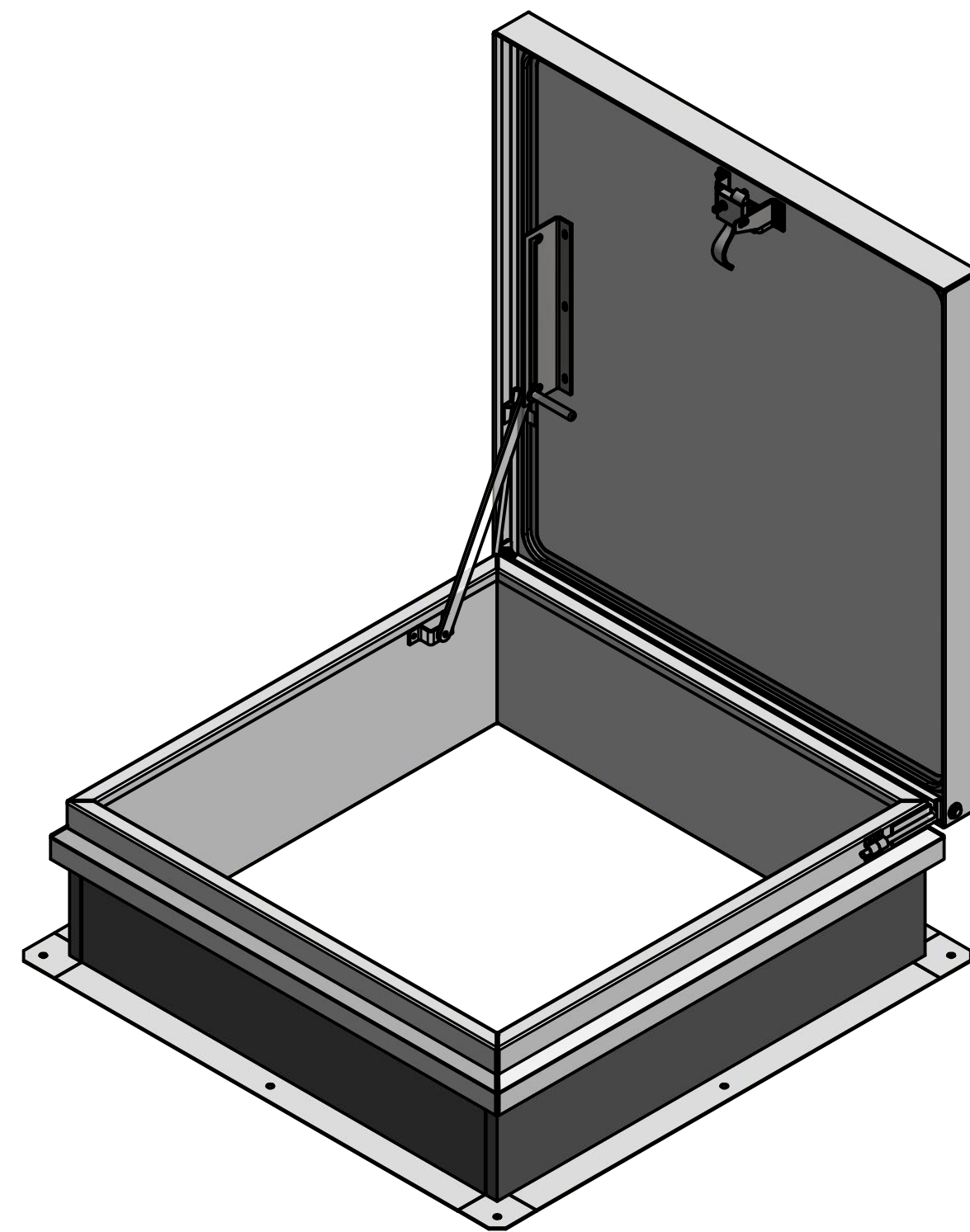
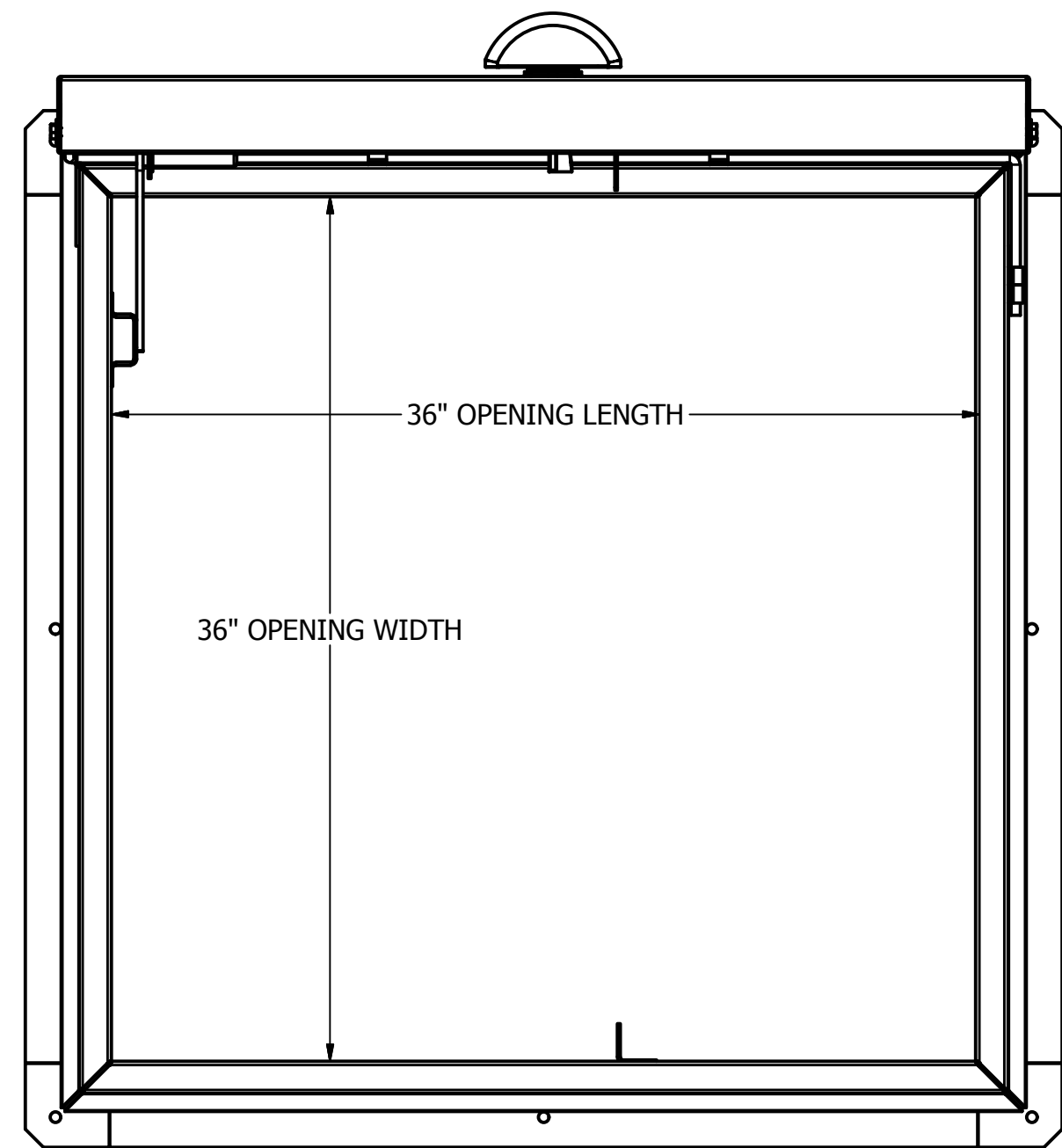
VERIFICATION AND APPROVAL OF GENERAL ARRANGEMENT AND OVERALL DIMENSIONS FOR THIS DOCUMENT ARE REQUIRED BEFORE THE ORDER IS ENTERED FOR MANUFACTURING.

APPROVAL SIGNATURE _____

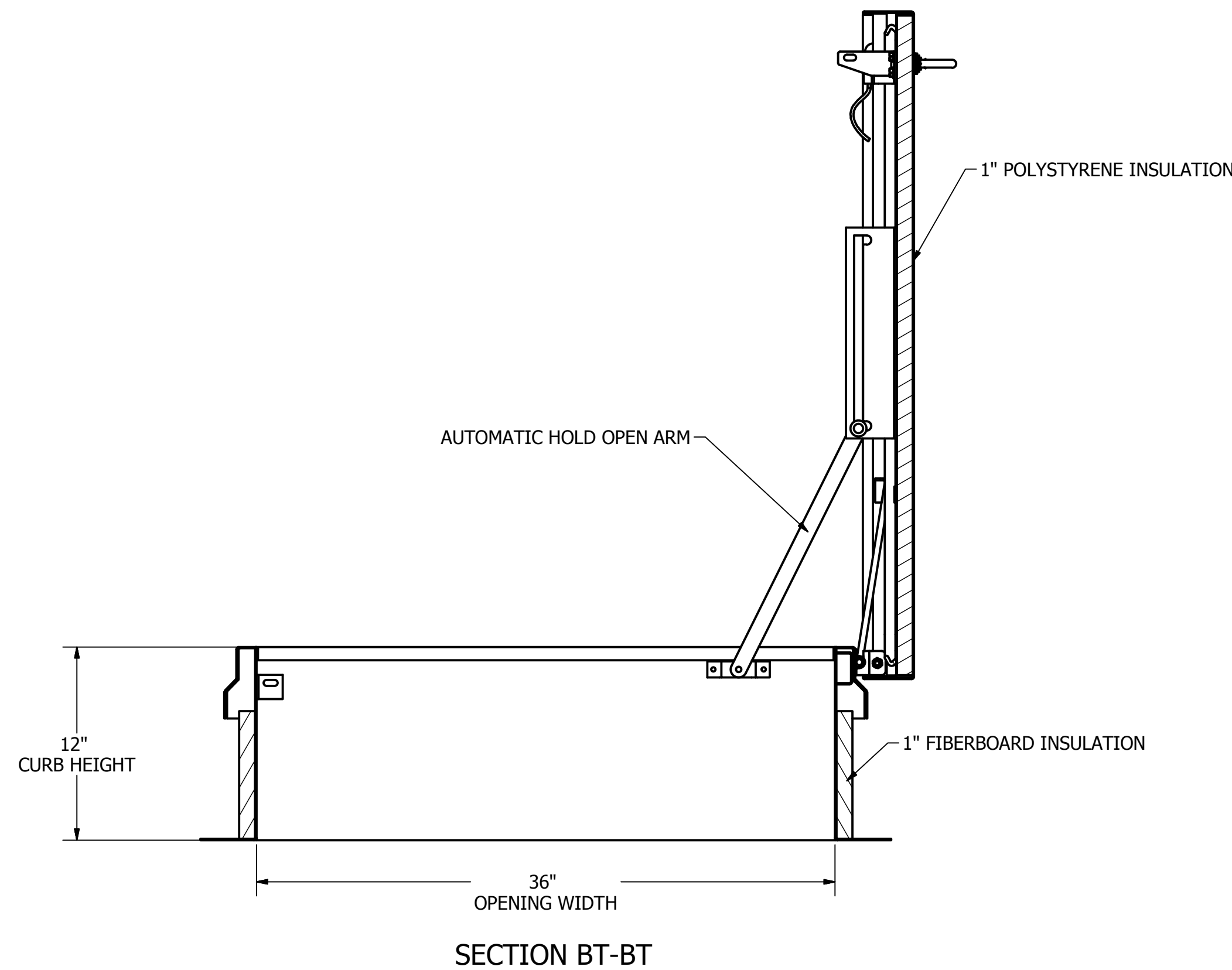
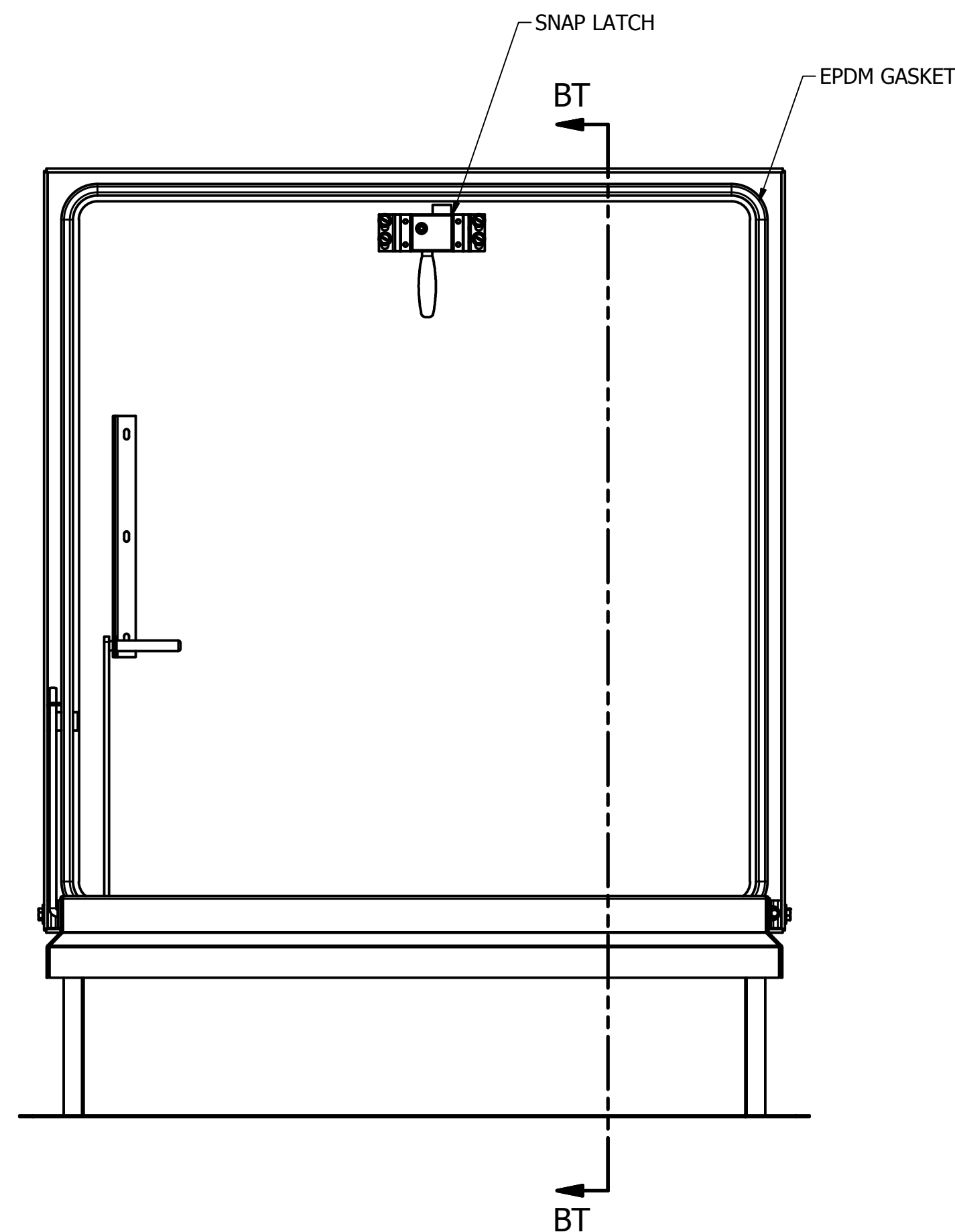
TITLE HELD _____

DATE OF APPROVAL _____

DRAWN	CMD	2/23/2015	Hart & Cooley Inc. 5030 Corporate Exchange Blvd. SE Grand Rapids, MI. 49512 Ph: 800-624-8642		
CHECKED	MILCOR		TITLE		
QA	TOLERANCE UNLESS SPECIFIED		M-1 ROOF HATCH		
MFG	.XXX ± 0.005"		SIZE	DWG NO	REV
APPROVED	.XX ± 0.01"		D	3501-501-9	--
	FRACT. ± 1/16"		SCALE		
	ANGLES ± 1'		SHEET 1 OF 1		



- NOTES:
 SIZE: M-3'0"X3'0"
 1) 70psf COVER LIVE LOAD RATING
 2) HATCH PAINTED WHITE
 3) MATERIALS:
 14ga GALVANIZED, COVER
 14ga GALVANIZED, CURB
 14ga GALVANIZED, COUNTER FLASHING
 22ga GALVANIZED, COVER LINER



ORDER WILL NOT BE RELEASED FOR FABRICATION UNTIL SIGNED COPY IS RECEIVED.

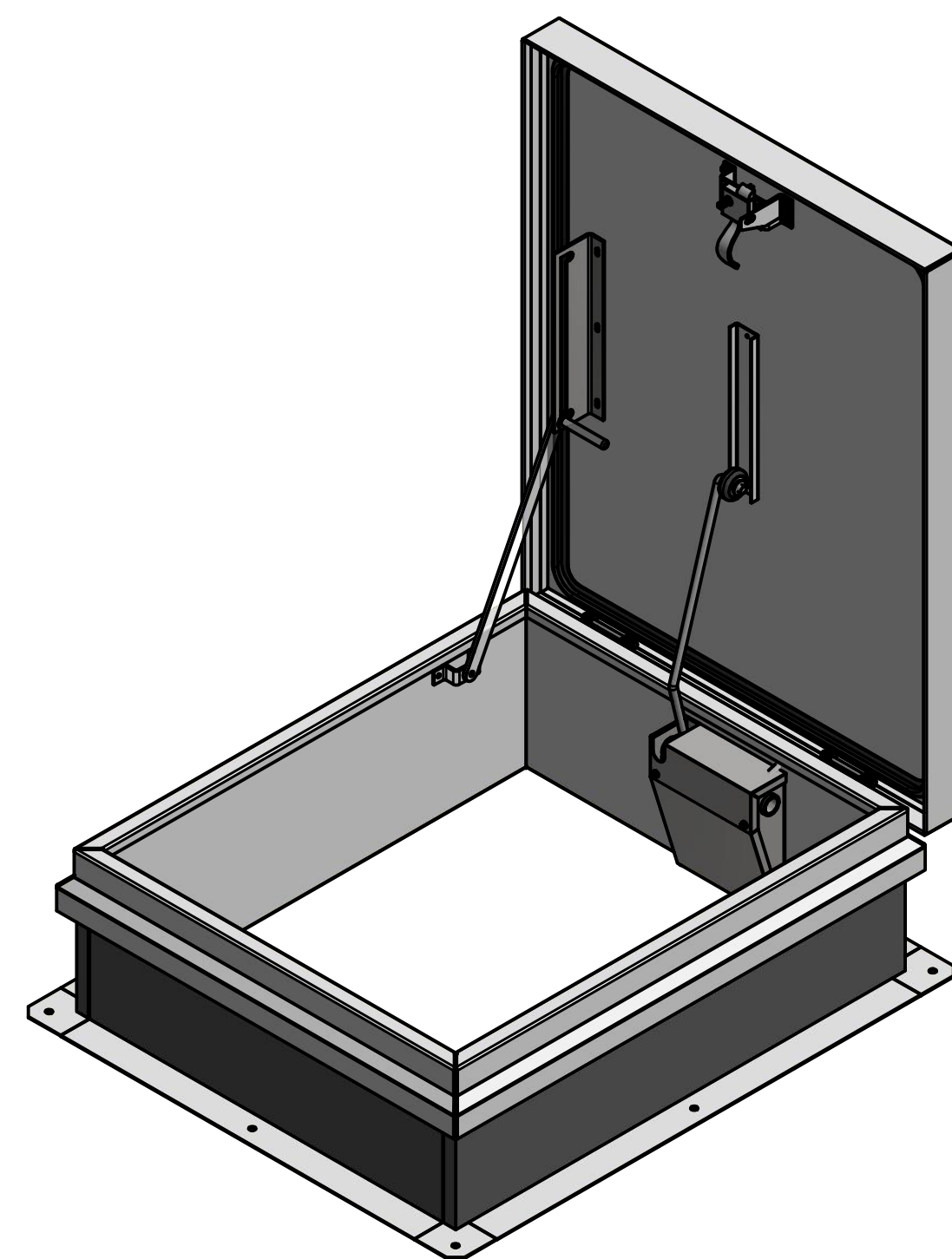
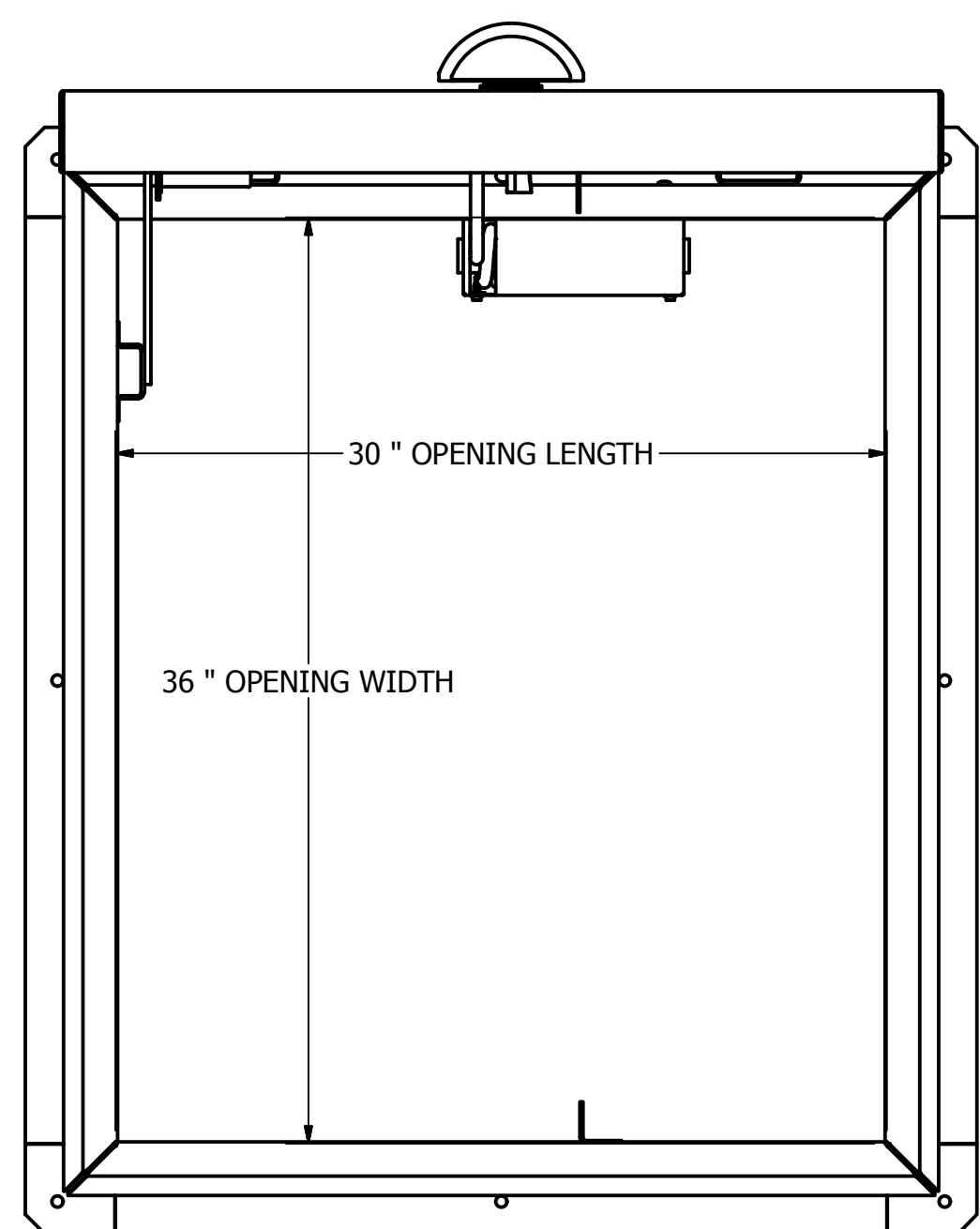
VERIFICATION AND APPROVAL OF GENERAL ARRANGEMENT AND OVERALL DIMENSIONS FOR THIS DOCUMENT ARE REQUIRED BEFORE THE ORDER IS ENTERED FOR MANUFACTURING.

APPROVAL SIGNATURE _____

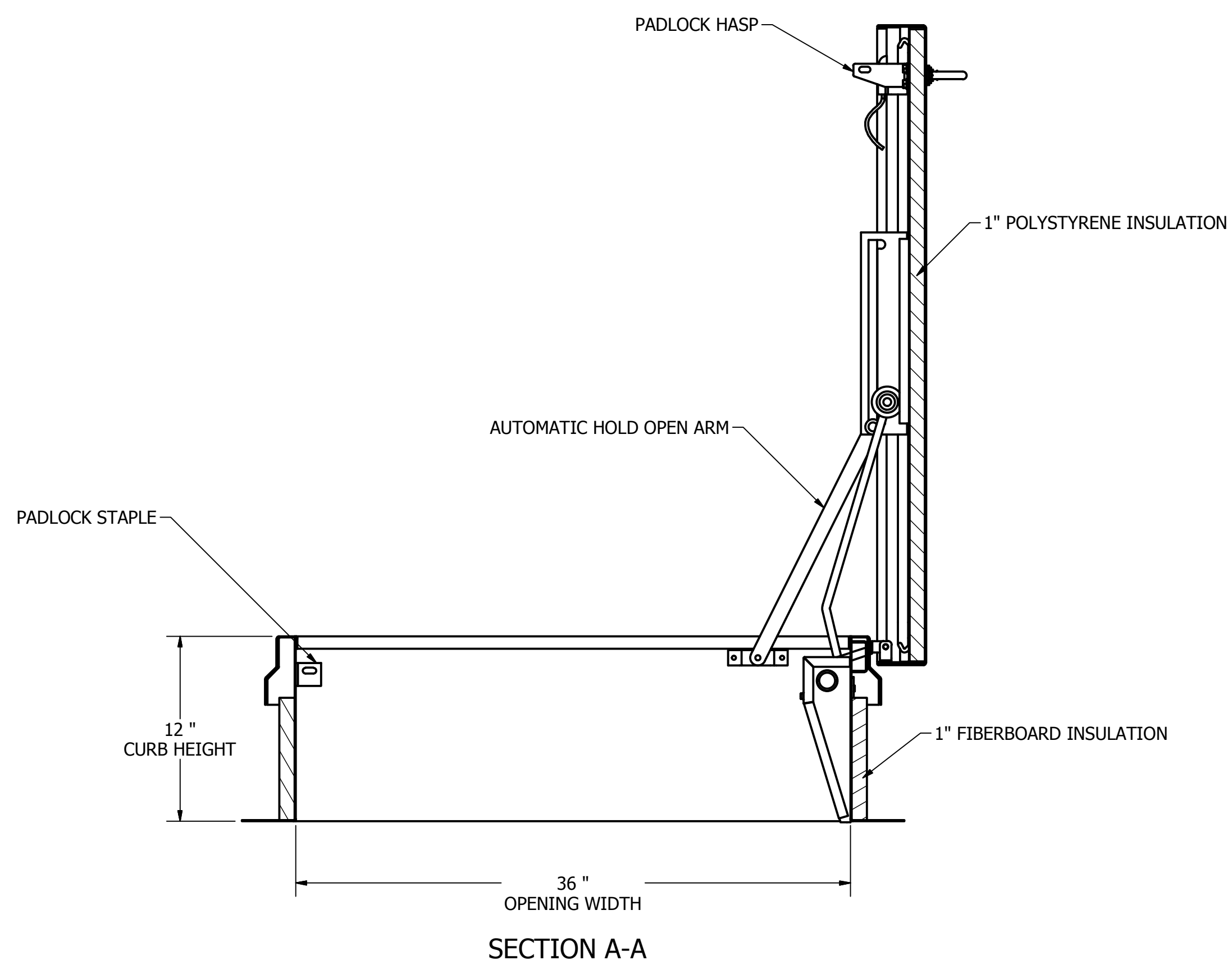
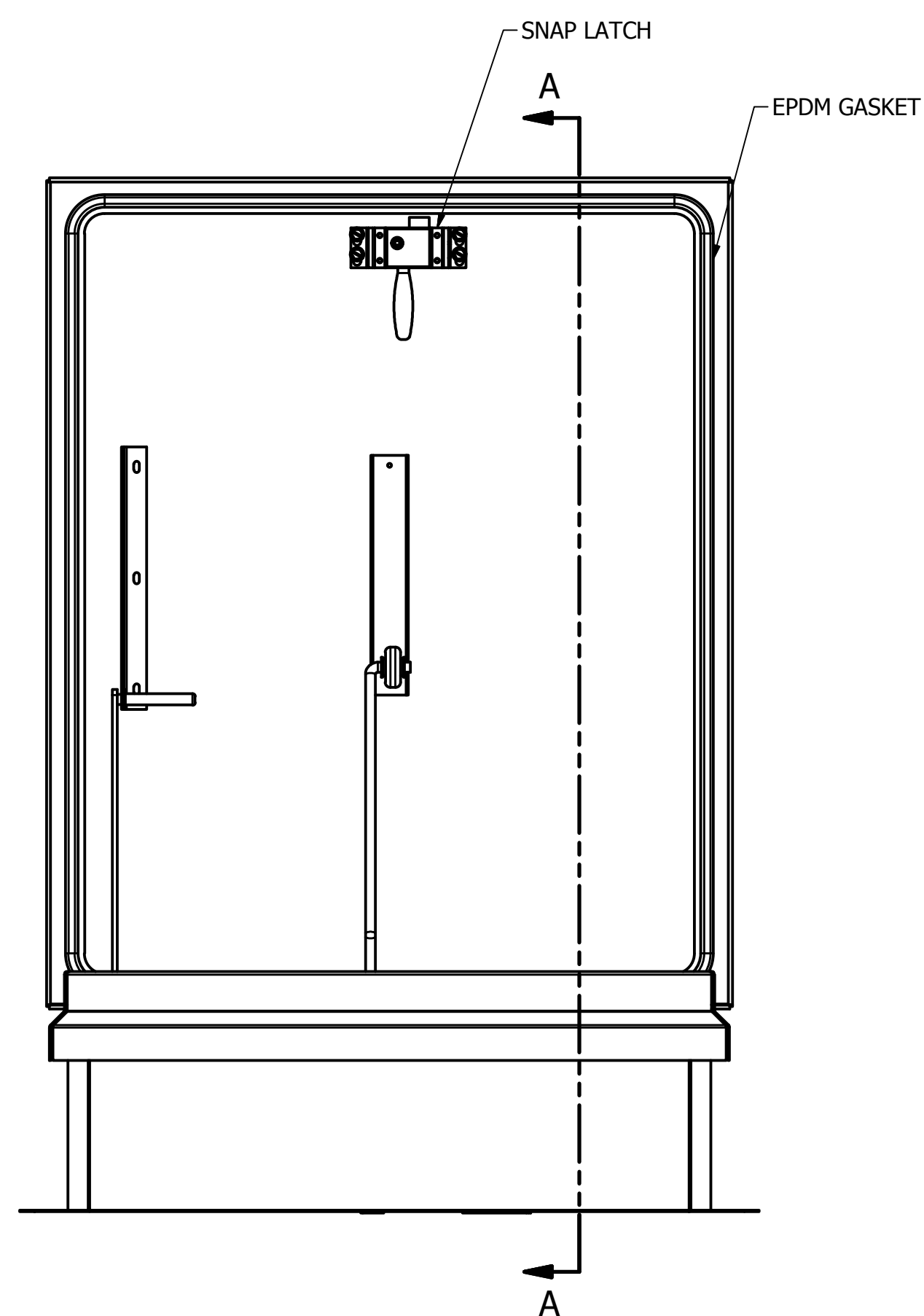
TITLE HELD _____

DATE OF APPROVAL _____

DRAWN	CMD	2/23/2015	Hart & Cooley Inc. 5030 Corporate Exchange Blvd. SE Grand Rapids, MI. 49512 Ph: 800-624-8642		
CHECKED	MILCOR		TITLE		
QA	TOLERANCE UNLESS SPECIFIED		M-3X3 SINGLE LEAF ROOF HATCH		
MFG	.XXX ± 0.005"		SIZE	DWG NO	REV
APPROVED	.XX ± 0.01"		D	3501-410-9	--
	FRACT. ± 1/16"		SCALE		
	ANGLES ± 1'				SHEET 1 OF 1



- NOTES:
 SIZE: RD-3'0"X2'6"
 1) 70psf COVER LIVE LOAD RATING
 2) MILL FINISH
 3) MATERIALS:
 .090 ALUMINUM, COVER
 .090 ALUMINUM, CURB
 .090 ALUMINUM, COUNTER FLASHING
 .063 ALUMINUM, COVER LINER



ORDER WILL NOT BE RELEASED FOR FABRICATION UNTIL SIGNED COPY IS RECEIVED.

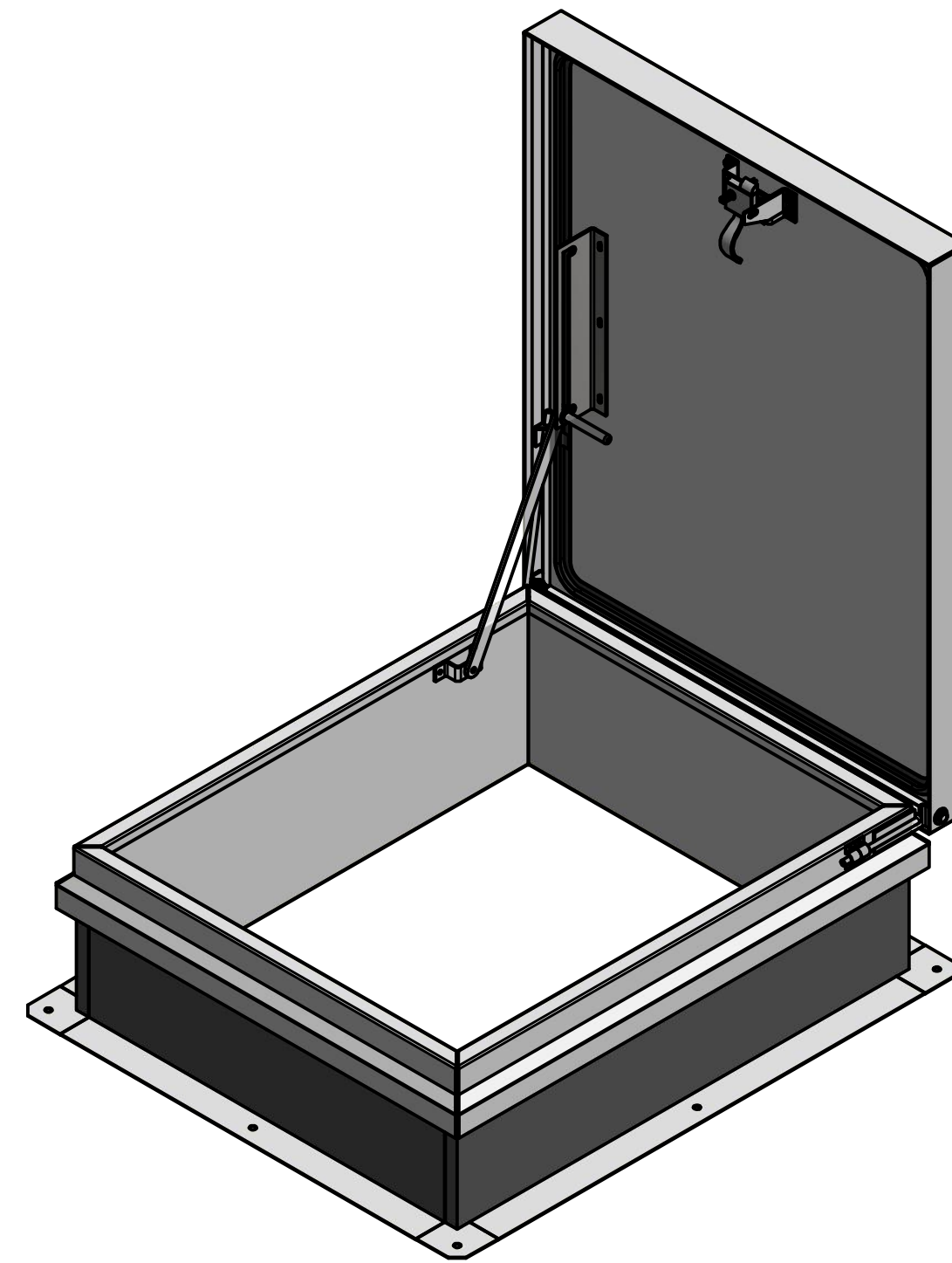
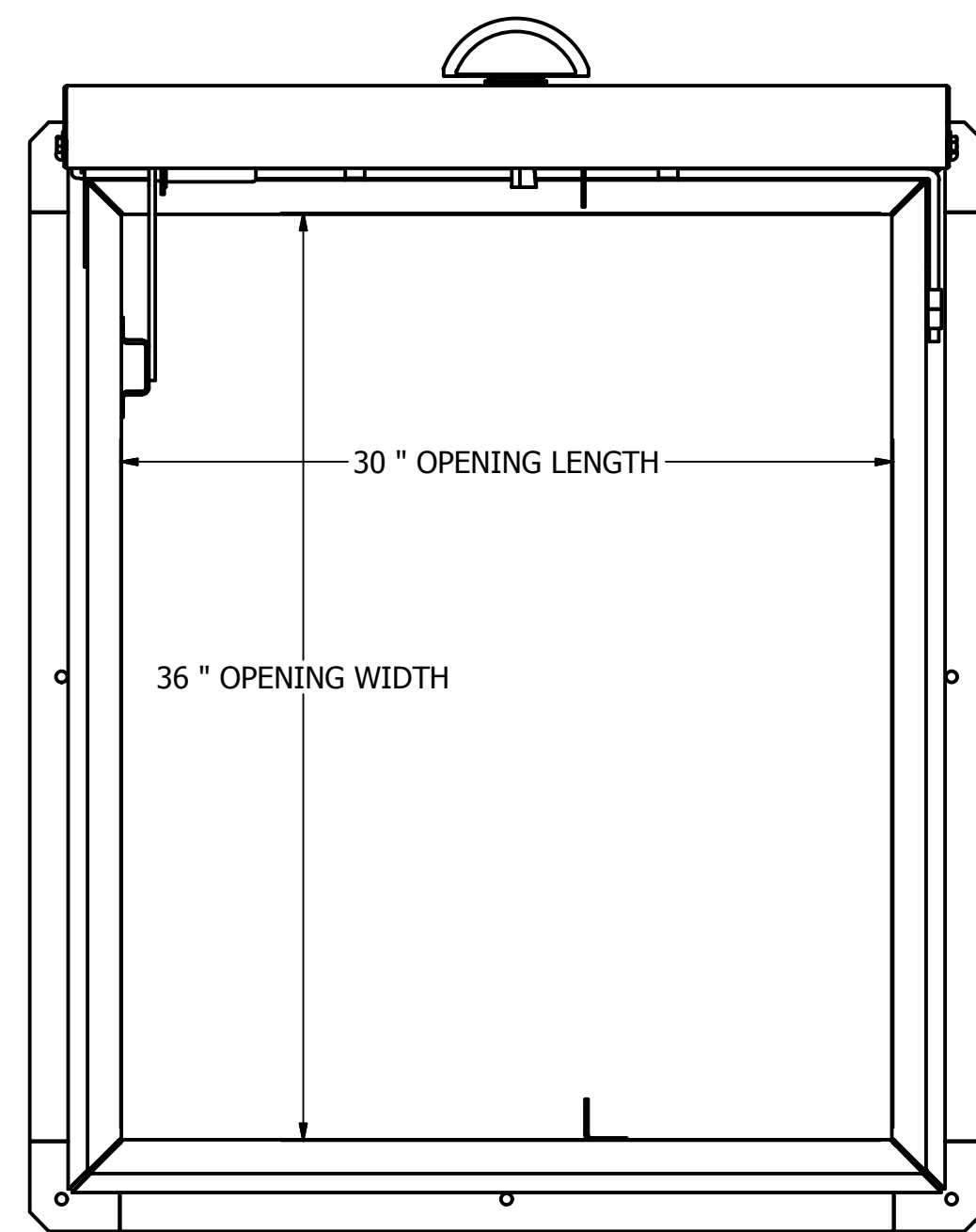
VERIFICATION AND APPROVAL OF GENERAL ARRANGEMENT AND OVERALL DIMENSIONS FOR THIS DOCUMENT ARE REQUIRED BEFORE THE ORDER IS ENTERED FOR MANUFACTURING.

APPROVAL SIGNATURE _____

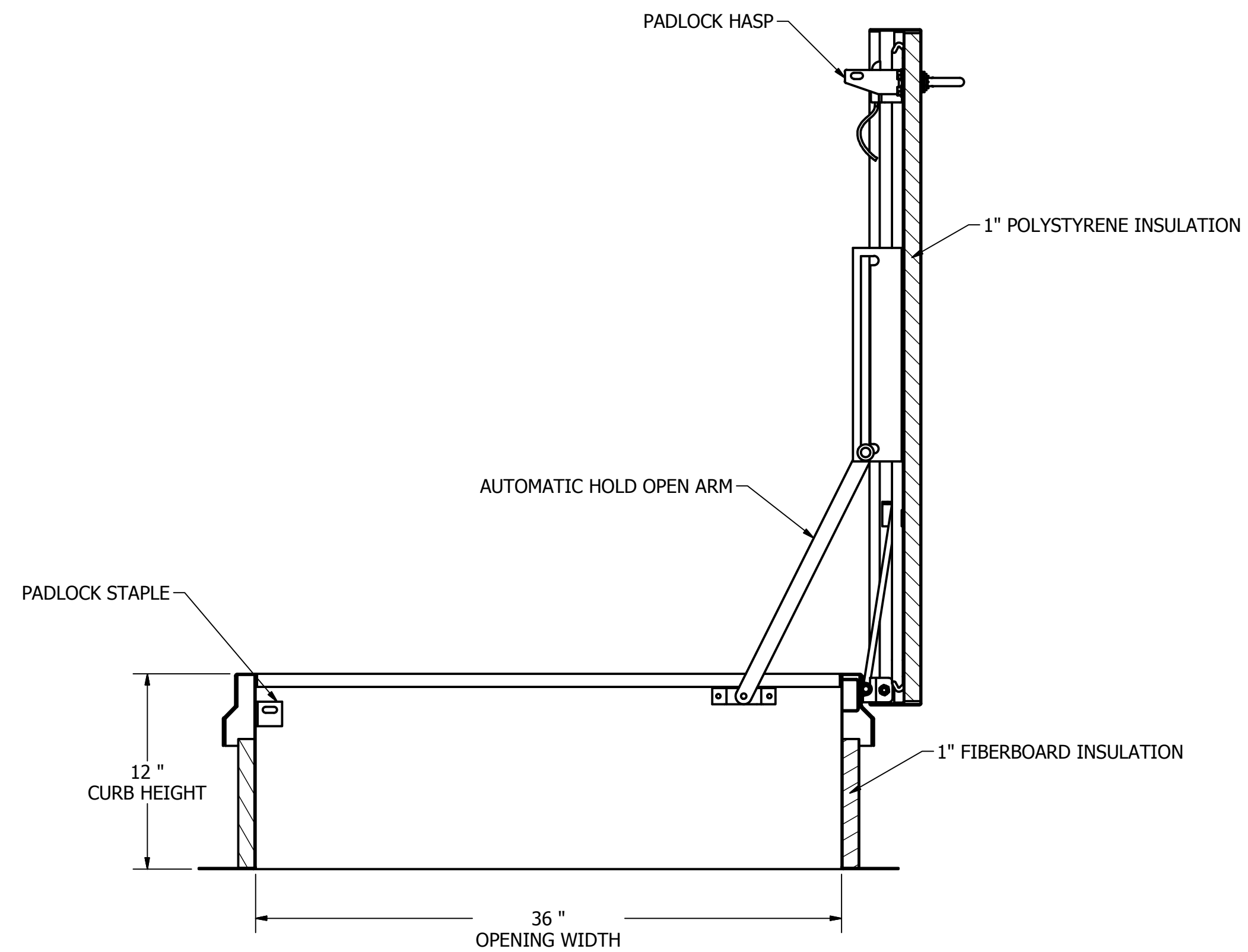
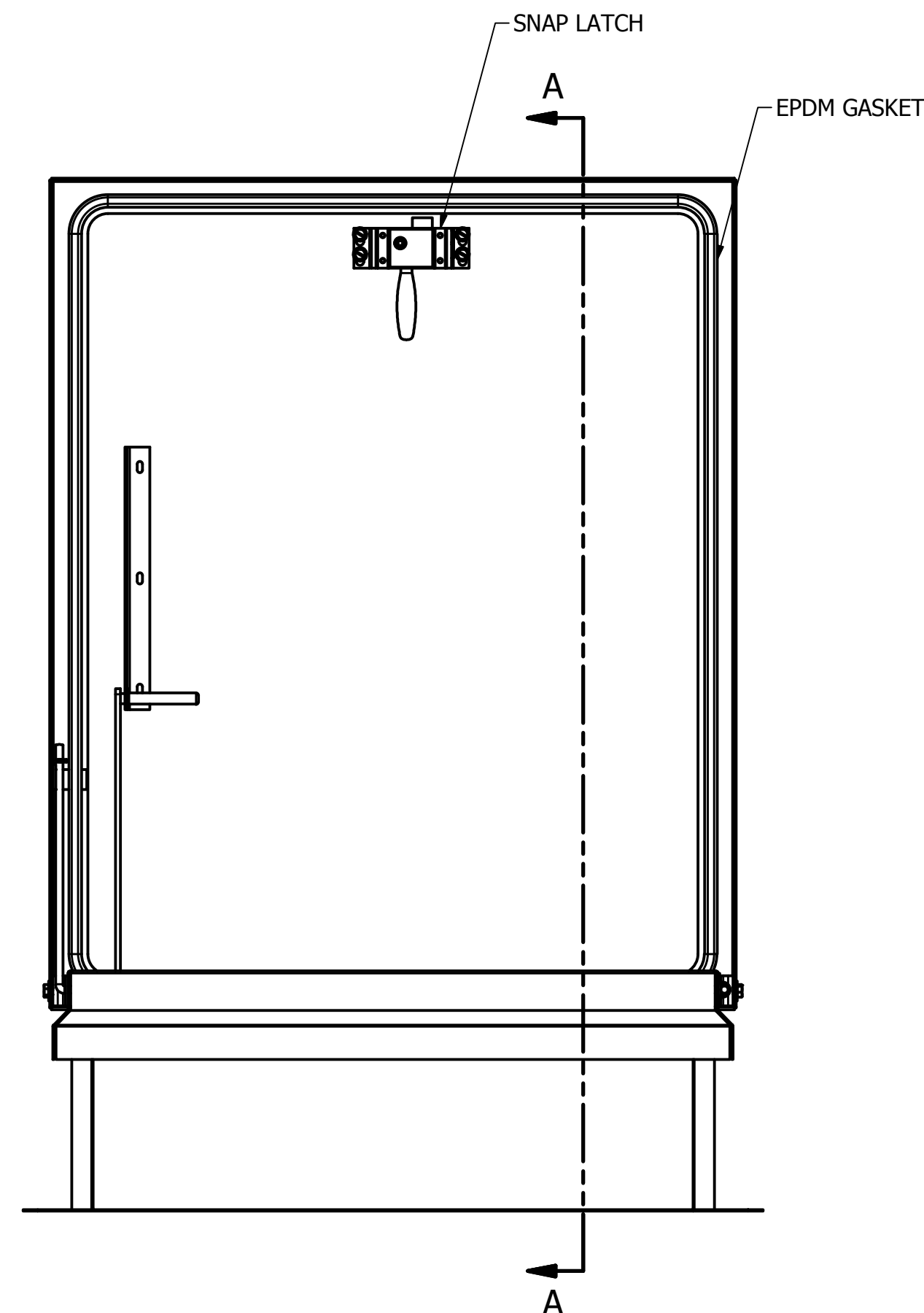
TITLE HELD _____

DATE OF APPROVAL _____

DRAWN	CMD	2/23/2015	Hart & Cooley Inc. Fax: 855-549-2674 www.hartandcooleyinc.com		
CHECKED	MILCOR		5030 Corporate Exchange Blvd. SE Grand Rapids, MI. 49512 Ph: 800-624-8642		
QA	TOLERANCE UNLESS SPECIFIED		TITLE		
MFG	.XXX ± 0.005"		RD-1 SINGLE LEAF ROOF HATCH		
APPROVED	.XX ± 0.01"		SIZE	DWG NO	REV
	FRACT. ± 1/16"		D	3501-132-9	--
	ANGLES ± 1'		SCALE	SHEET 1 OF 1	



- NOTES:
 SIZE: RBS-3'0"X2'6"
 1) 70psf COVER LIVE LOAD RATING
 2) HATCH PAINTED WHITE
 3) MATERIALS:
 18ga GALVANIZED, COVER
 16ga GALVANIZED, CURB
 16ga GALVANIZED, COUNTER FLASHING
 22ga GALVANIZED, COVER LINER



SECTION A-A

ORDER WILL NOT BE RELEASED FOR FABRICATION UNTIL SIGNED COPY IS RECEIVED.

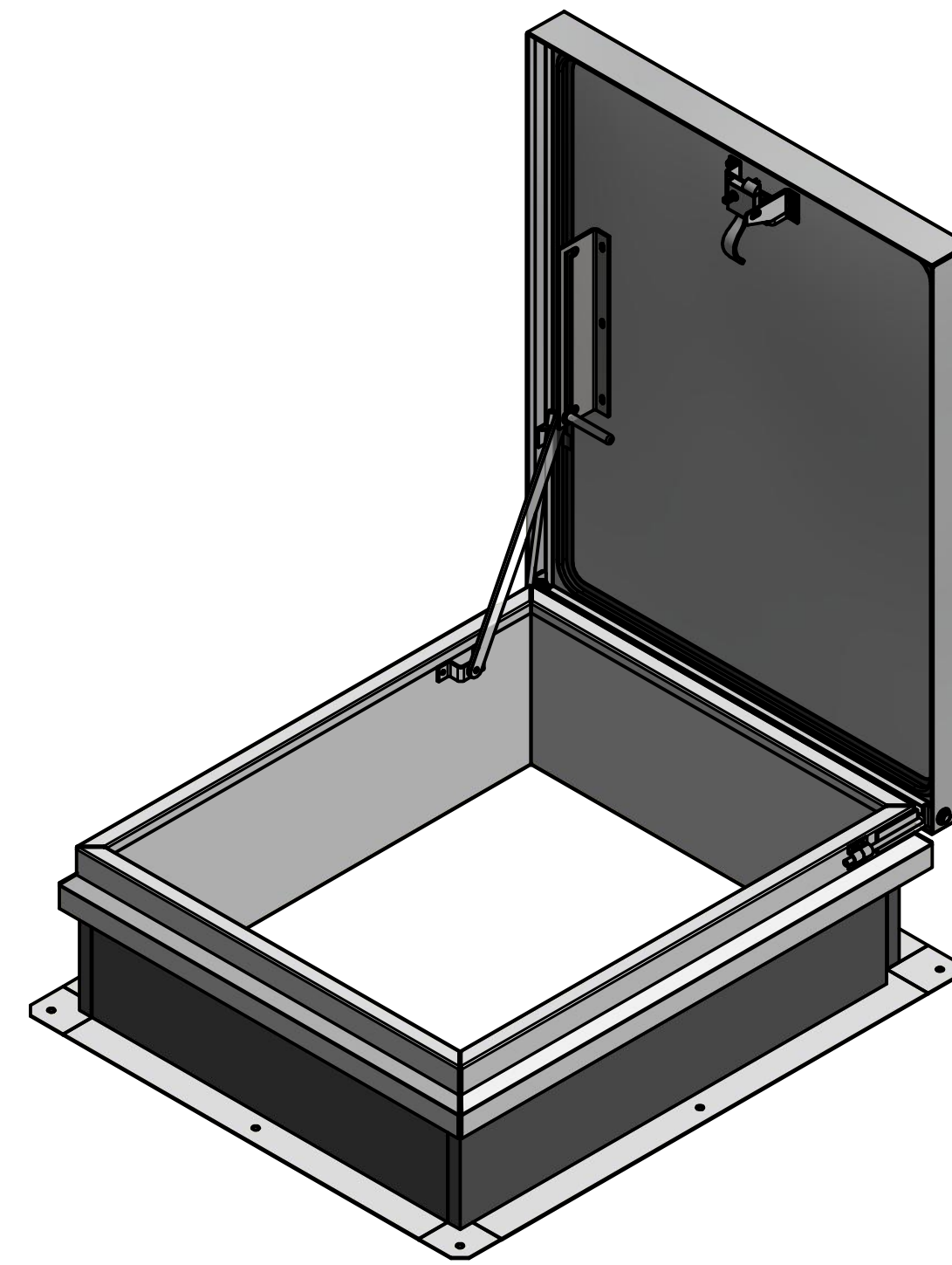
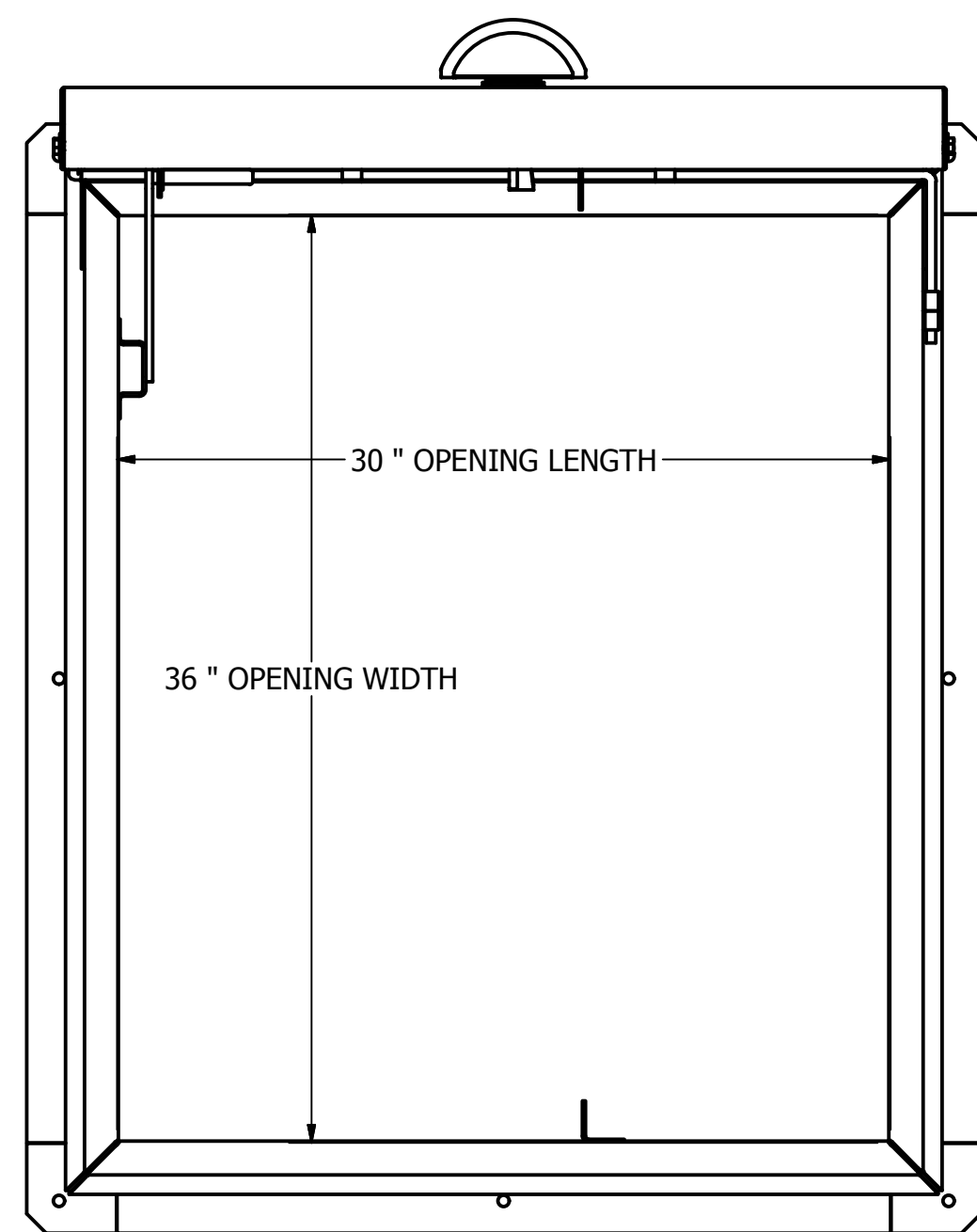
VERIFICATION AND APPROVAL OF GENERAL ARRANGEMENT AND OVERALL DIMENSIONS FOR THIS DOCUMENT ARE REQUIRED BEFORE THE ORDER IS ENTERED FOR MANUFACTURING.

APPROVAL SIGNATURE _____

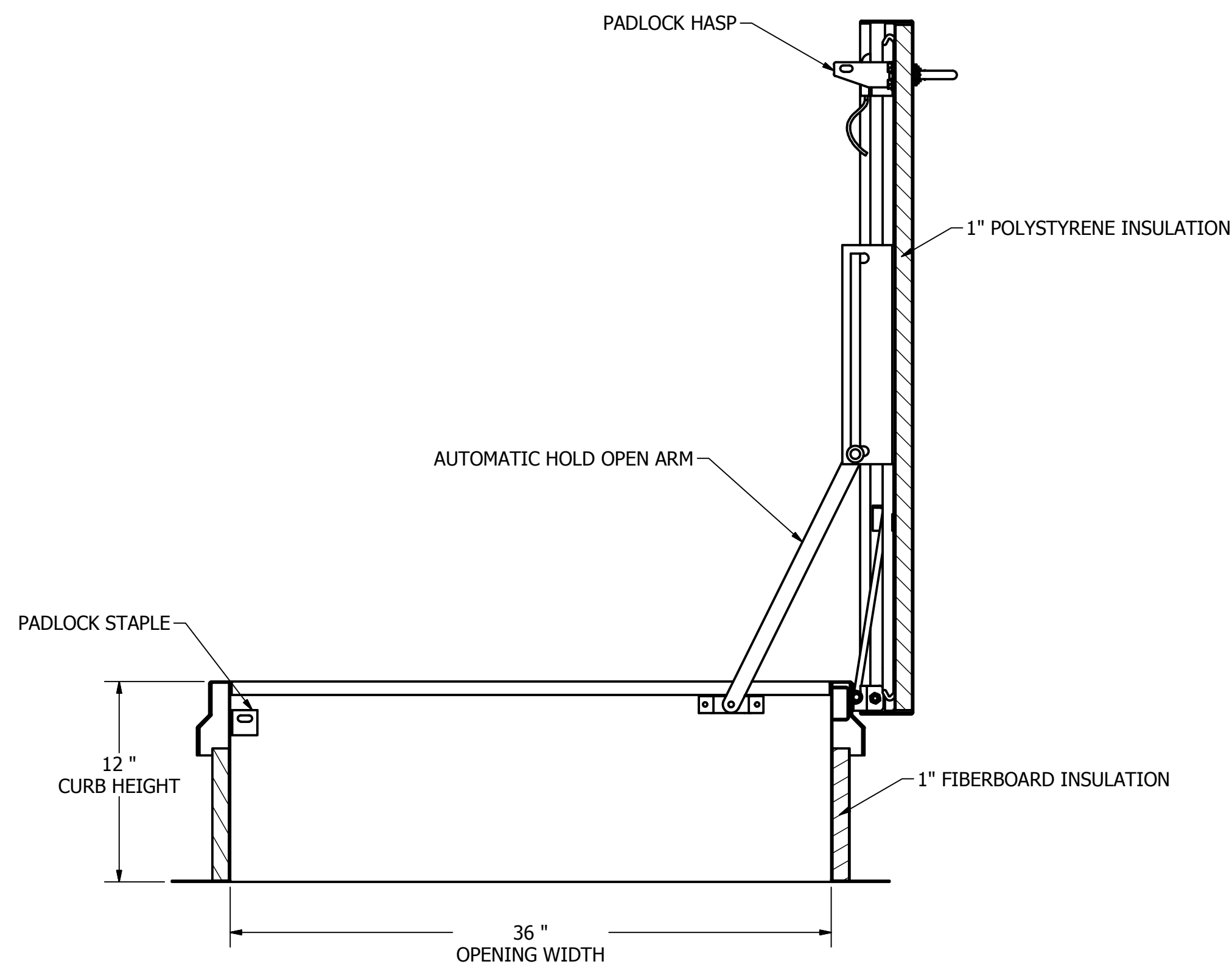
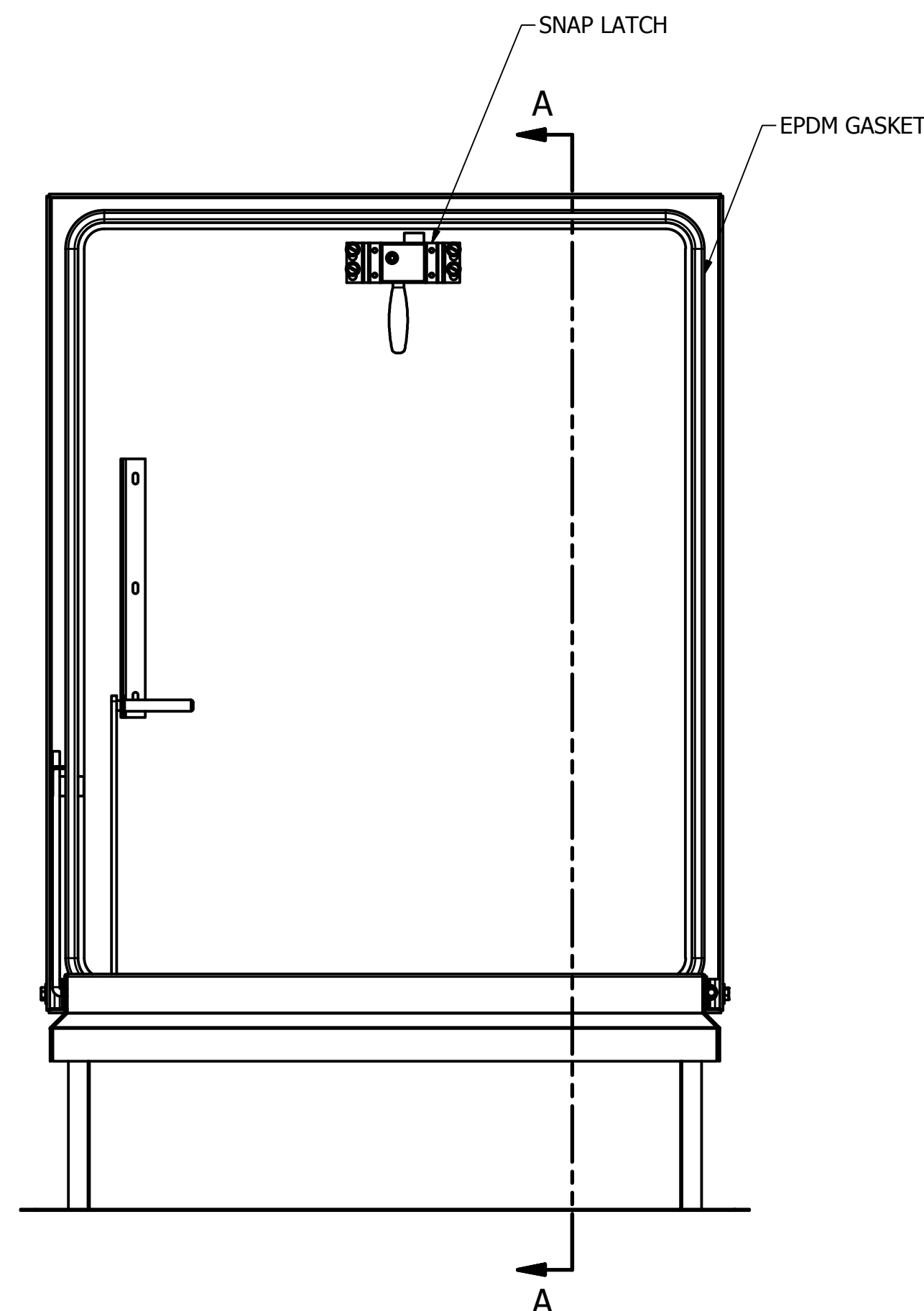
TITLE HELD _____

DATE OF APPROVAL _____

DRAWN CMD	2/23/2015	Hart & Cooley Inc. Fax: 855-549-2674 www.hartandcooleyinc.com	
CHECKED	MILCOR	5030 Corporate Exchange Blvd. SE Grand Rapids, MI. 49512 Ph: 800-624-8642	
QA	TOLERANCE UNLESS SPECIFIED	TITLE	
MFG	.XXX ± 0.005"	RBS-1 SINGLE LEAF ROOF HATCH	
APPROVED	.XX ± 0.01"	SIZE	D
	FRACT. ± 1/16"	DWG NO	3501-111-9
	ANGLES ± 1'	SCALE	1" = 1'
		SHEET 1 OF 1	



- NOTES:
 SIZE: RCS-3'0"X2'6"
 1) 70psf COVER LIVE LOAD RATING
 2) MILL FINISH
 3) MATERIALS:
 .063 ALUMINUM, COVER
 16ga GALVANIZED, CURB
 16ga GALVANIZED, COUNTER FLASHING
 .063 ALUMINUM, COVER LINER



SECTION A-A

ORDER WILL NOT BE RELEASED FOR FABRICATION UNTIL SIGNED COPY IS RECEIVED.

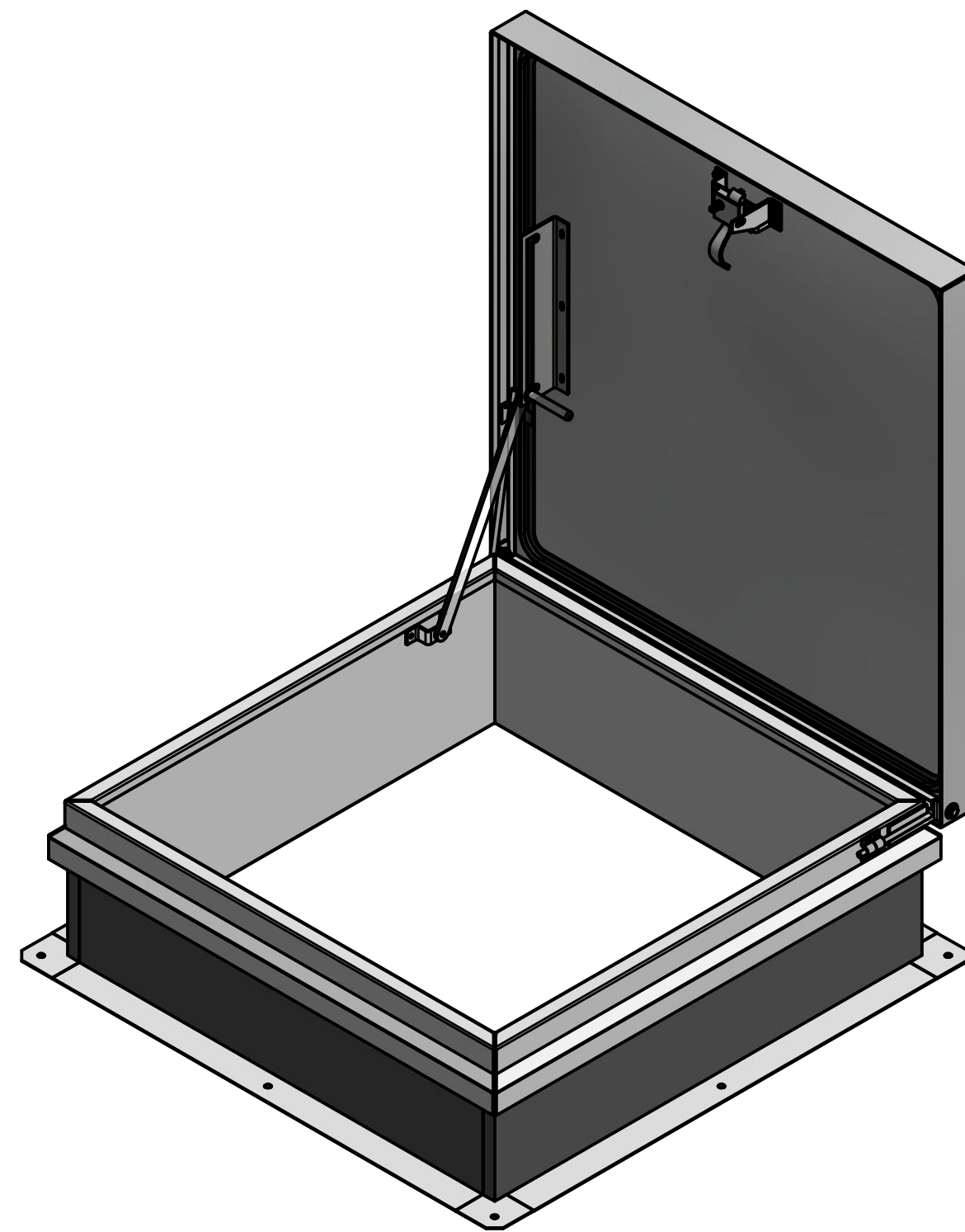
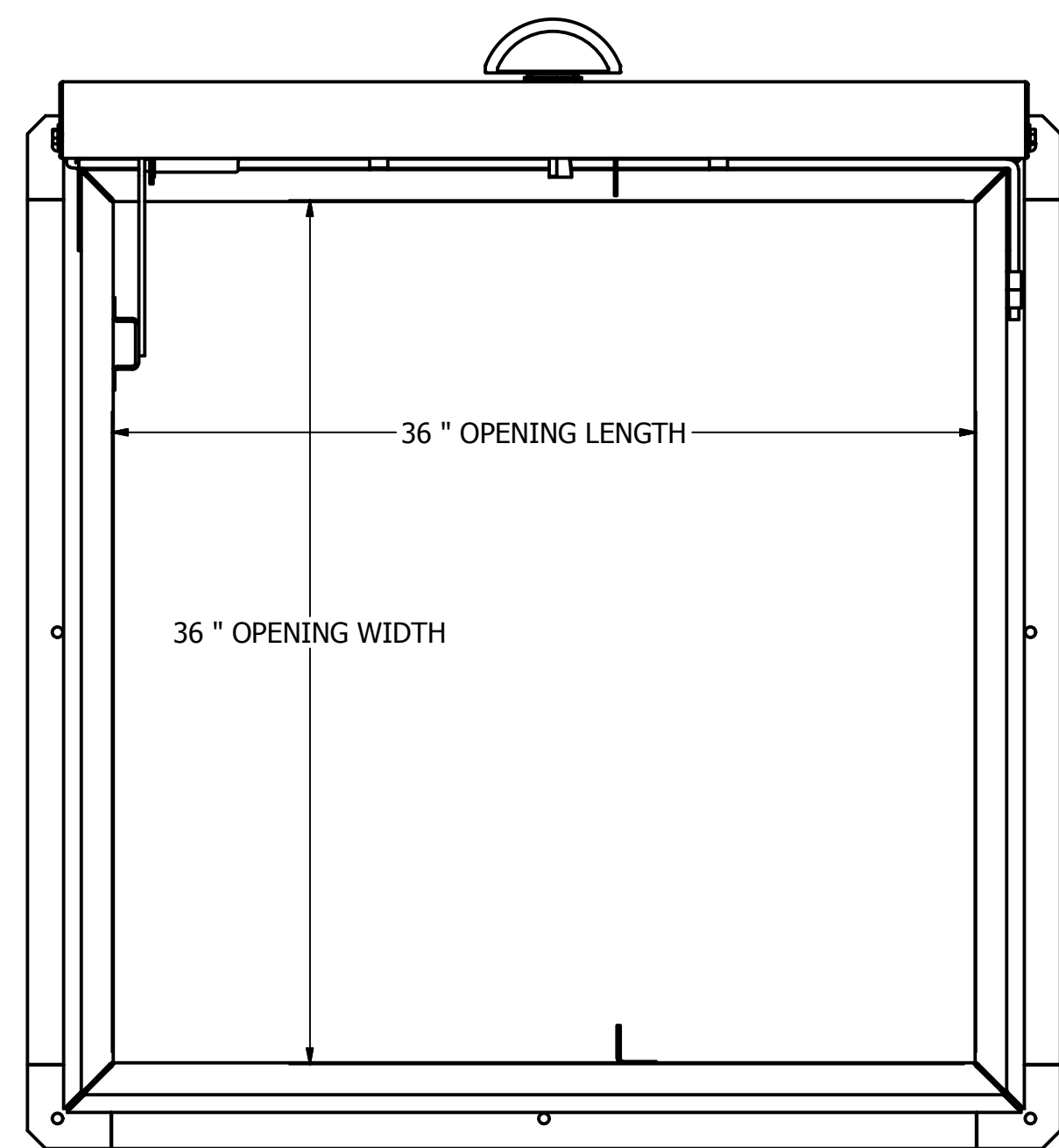
VERIFICATION AND APPROVAL OF GENERAL ARRANGEMENT AND OVERALL DIMENSIONS FOR THIS DOCUMENT ARE REQUIRED BEFORE THE ORDER IS ENTERED FOR MANUFACTURING.

APPROVAL SIGNATURE _____

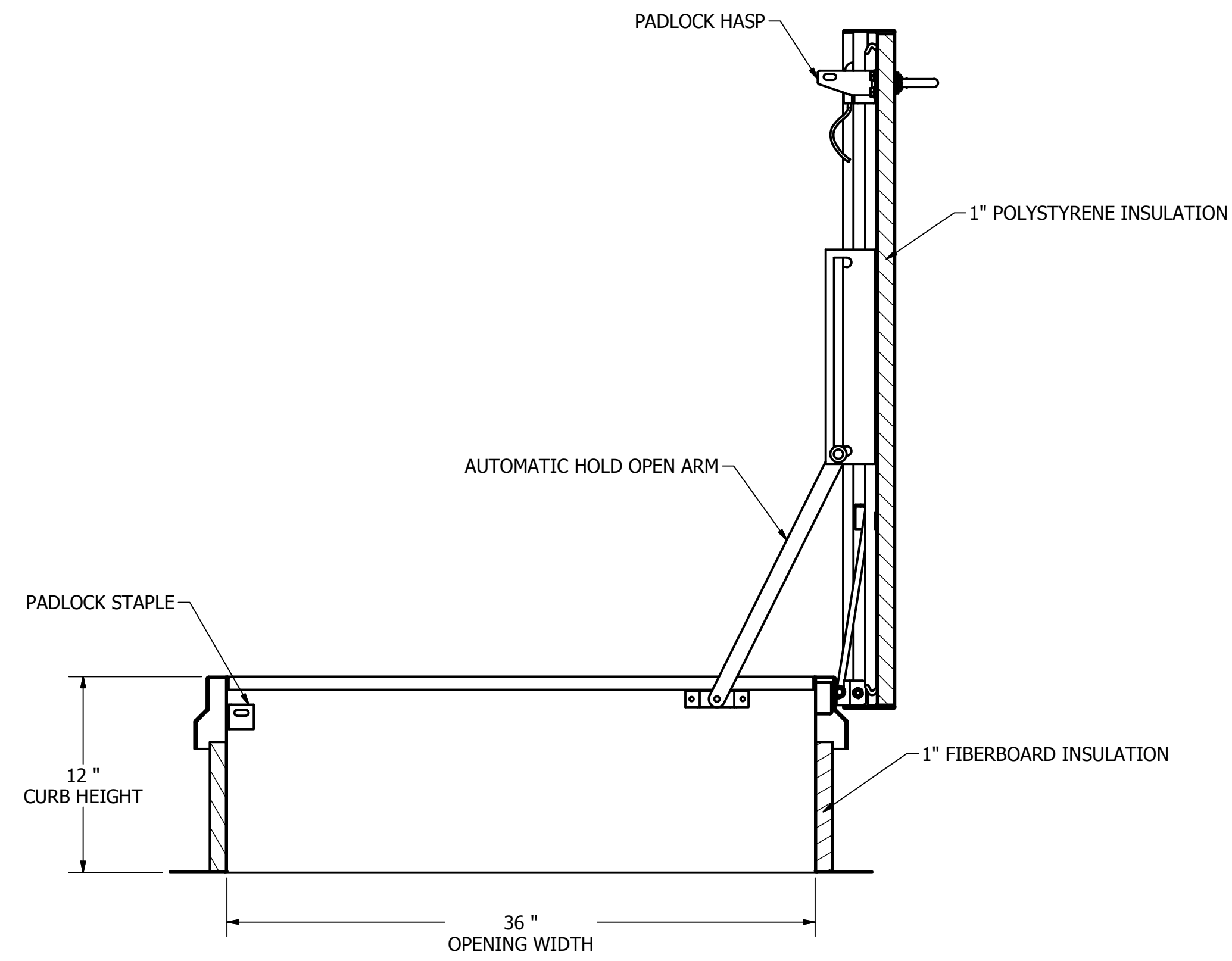
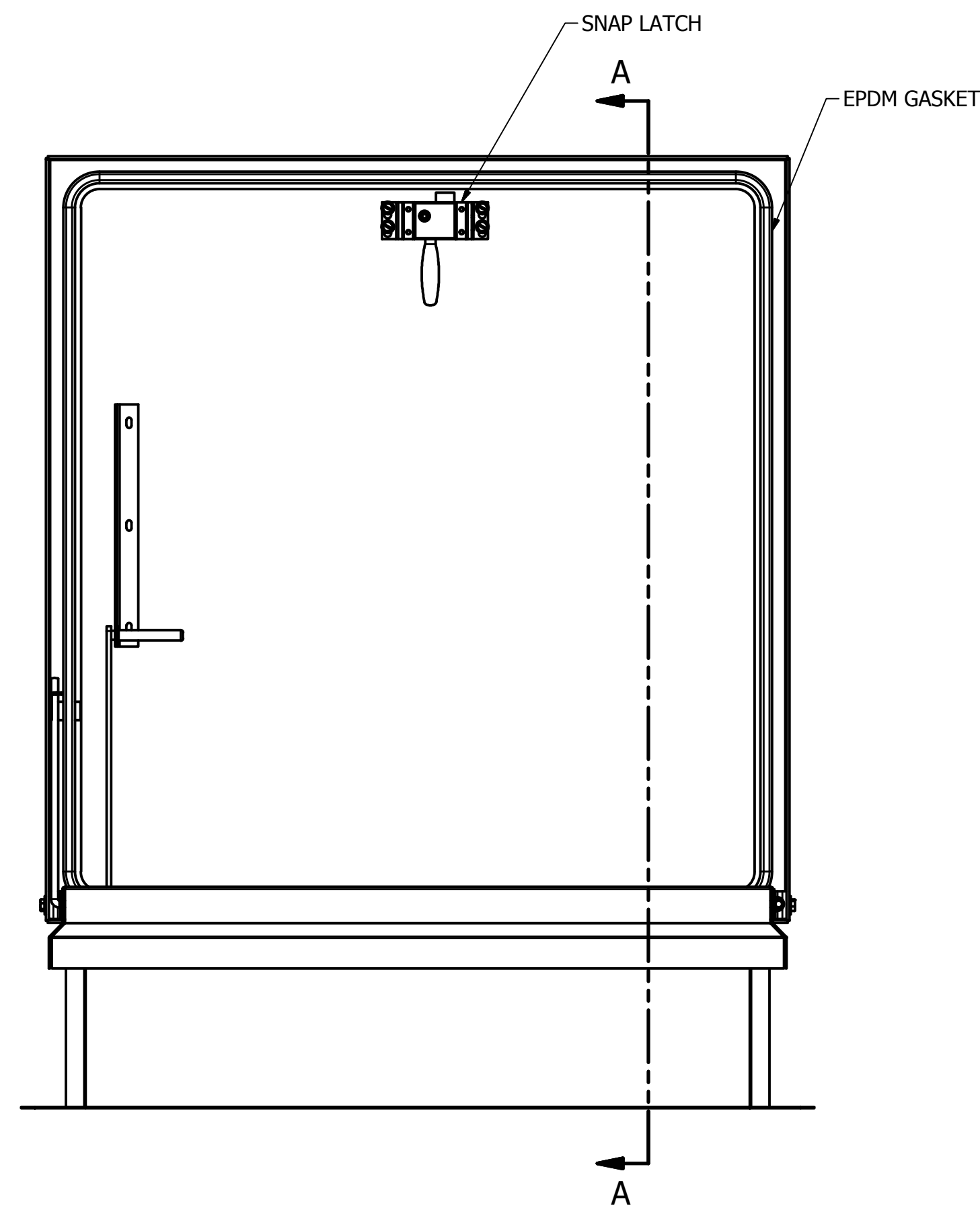
TITLE HELD _____

DATE OF APPROVAL _____

DRAWN	CMD	2/23/2015	Hart & Cooley Inc. Fax: 855-549-2674 www.hartandcooleyinc.com		
CHECKED	MILCOR		5030 Corporate Exchange Blvd. SE Grand Rapids, MI. 49512 Ph: 800-624-8642		
QA	TOLERANCE UNLESS SPECIFIED		TITLE		
MFG	.XXX ± 0.005"		RCS-1 SINGLE LEAF ROOF HATCH		
APPROVED	.XX ± 0.01"		SIZE	DWG NO	REV
	FRACT. ± 1/16"		D	3501-121-9	--
	ANGLES ± 1'		SCALE	SHEET 1 OF 1	



- NOTES:
 SIZE: RCS-3'0"X3'0"
 1) 70psf COVER LIVE LOAD RATING
 2) MILL FINISH
 3) MATERIALS:
 .063 ALUMINUM, COVER
 16ga GALVANIZED, CURB
 16ga GALVANIZED, COUNTER FLASHING
 .063 ALUMINUM, COVER LINER



ORDER WILL NOT BE RELEASED FOR FABRICATION UNTIL SIGNED COPY IS RECEIVED.

VERIFICATION AND APPROVAL OF GENERAL ARRANGEMENT AND OVERALL DIMENSIONS FOR THIS DOCUMENT ARE REQUIRED BEFORE THE ORDER IS ENTERED FOR MANUFACTURING.

APPROVAL SIGNATURE _____

TITLE HELD _____

DATE OF APPROVAL _____

DRAWN	CMD	2/23/2015	Hart & Cooley Inc. Fax: 855-549-2674 www.hartandcooleyinc.com		
CHECKED	MILCOR		5030 Corporate Exchange Blvd. SE Grand Rapids, MI. 49512 Ph: 800-624-8642		
QA	TOLERANCE UNLESS SPECIFIED		TITLE		
MFG	.XXX ± 0.005"		RCS-3X3 SINGLE LEAF ROOF HATCH		
APPROVED	.XX ± 0.01"		SIZE	DWG NO	REV
	FRACT. ± 1/16"		D	3501-610-9	--
	ANGLES ± 1'		SCALE	SHEET 1 OF 1	