



MILCOR®

ROOF HATCHES
HEAT AND SMOKE VENTS
SIDEWALK AND FLOOR DOORS

July 2017

HART COOLEY®
install confidence.

WHERE HIGH EFFICIENCY IS THE STANDARD

EXPERIENCE

Milcor brings over 105 years of experience in the manufacturing of roof hatches, smoke vents and floor doors. Our years worth of experience gives us the knowledge to provide top of the line, dependable products to our customers.

ENGINEERING

Every Milcor vent, hatch or door product is engineered to meet the specific in-use requirements of the application for which it was designed.

SELECTION

The Milcor product line contains the items to meet your construction needs.

ON-TIME DELIVERY

Milcor satisfies your need for on-time delivery of our products to meet your schedules.

QUALITY

Milcor smoke vents, roof hatches and floor doors provide superior performance features unequaled elsewhere in the industry.

WARRANTY

Milcor warrants all goods sold to be free from defects in workmanship, but limits liability to five years from date of shipment and expressly to the replacement of goods not complying with this warranty; or, at our election, a credit to original purchaser for the original purchase price paid less 1/60th of the price for each month elapsed from the original invoice date to the date of claim against this warranty.

Electric motors, special finishes and any other optional special components required shall be warranted separately by the manufacturers of those products.

MILCOR[®]

Hart & Cooley, Inc.
5030 Corporate Exchange Blvd. SE
Grand Rapids, MI 49512

P (800) 624-8642
F (855) 549-2674

INDEX

ROOF ACCESS HATCHES

5

EE Hatch

6

Milcor's Energy Efficient series hatches have an R-value of 12 and include 2 inches of polyisocyanurate insulation in both the curb and cover.

M-1

7

The Milcor M-1 Hatch is our most popular access hatch. The M-1 is FL product approved carrying a 70 psf and is powder coated to withstand the element.

Personnel

8-10

Milcor's Personnel Roof Access Hatches provide convenient access to the building's roof. These include hatches that accommodate ladder, ship stair and service stair access.

Equipment

11

Larger Double Leaf Hatches to allow for equipment to be dropped into or loaded out of the building.

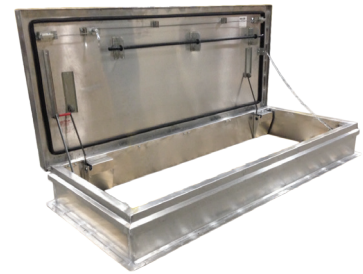
Safety Products

12-14

*Safety Rail Systems *Upright Safety Bar

Hatch Options

15



SMOKE VENTS

16

Low Profile

17

Smaller sized smoke vents. UL-793 Listed and FM Approved to provide fire protection.

Big Smoky

18

Larger sized smoke vents. UL-793 Listed and FM Approved to provide fire protection.

Acoustical

19-20

Acoustically rated to either STC 40 or STC 50 to meet the buildings specific needs. Carry FM Approval to provide fire protection.

Flat Panel Skylight

21

Smoke Vent with flat polycarbonate panels to allow for the admittance of natural light into the building.

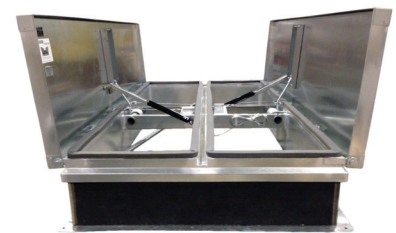
Domed Skylight

22

Smoke Vent with polycarbonate domes to allow for the admittance of natural light into the building.

Smoke Vent Options

23



INDEX

CONTINUED

FLOOR & SIDEWALK DOORS

24

Non-Security

25

Equipped with lift ring for easy access for use in non-secure environments.

Security

26

Snap latches with removable top handles prevent undesired access.

Flush Cover: Security

27

Flush cover with safety tread plate and security snap latches with removable top handles to prevent undesired access.

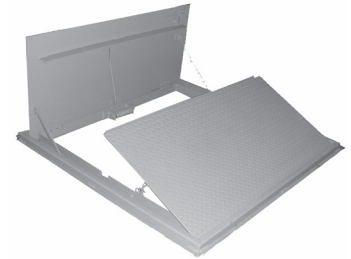
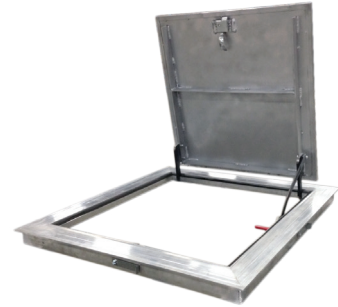
Sidewalk

28

For Exterior Access Applications or where interior moisture conditions require drainage provisions.

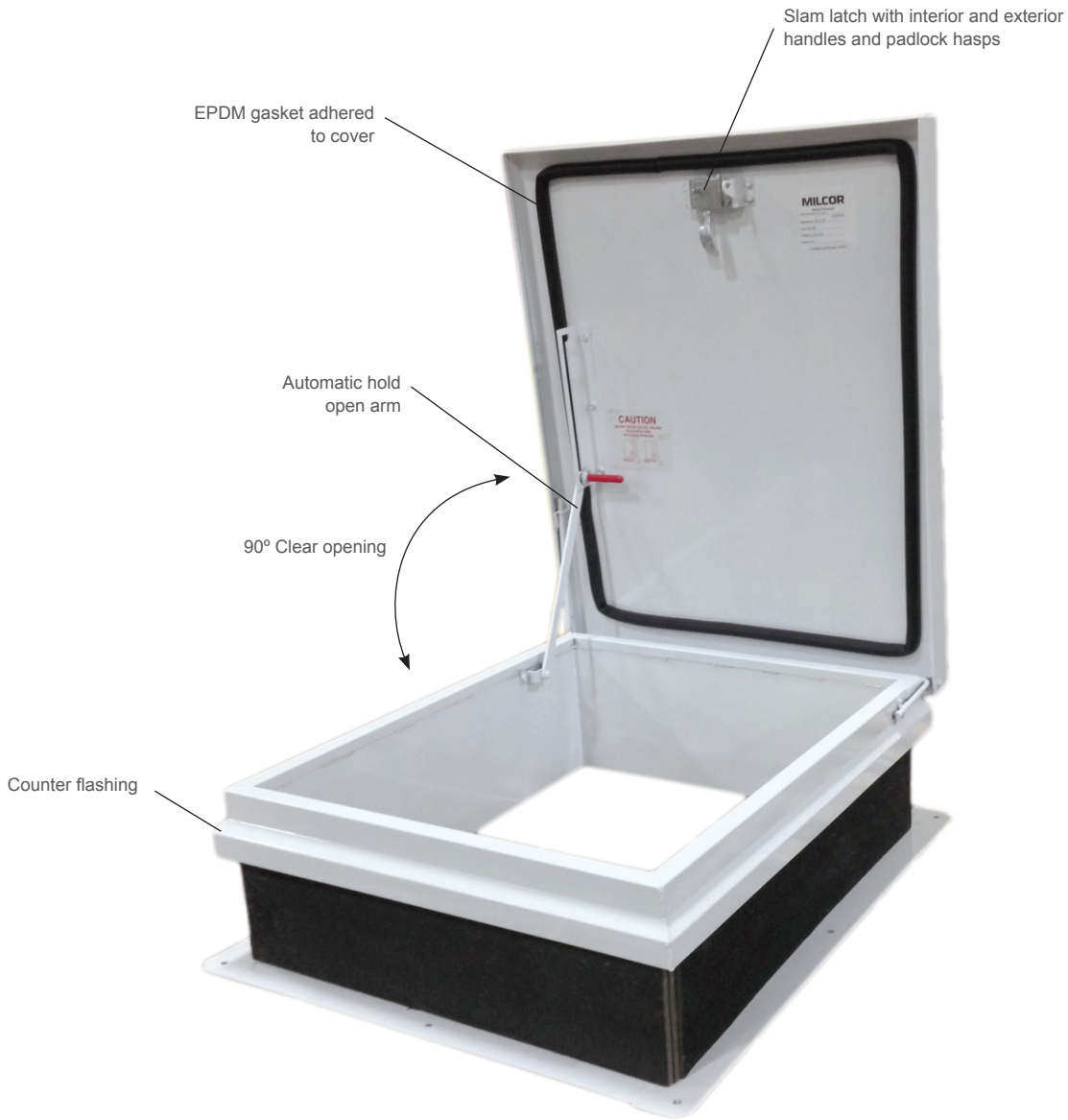
Floor & Sidewalk Door Options

29



ROOF ACCESS HATCHES

PRODUCT FEATURE



Features & Benefits

- Full 90 degree opening
- Fully insulated cover and curb
- High load capacity reaching up to 70 psf
- Interior and Exterior Padlock Hasps as standard
- Lift Assistance for easy opening

ROOF ACCESS HATCHES

EE SERIES

SPECIFICATIONS

Material:

- M: 14 gauge galvanized steel cover and Curb
- RD: .090 Aluminum Cover and Curb

Finish:

- Galvanized Steel: Cool White Water Based Enamel Paint
- Aluminum: Mill Finish

Cover: covers open easily to 90 degrees

- M: 14 gauge galvanized steel exterior with 22 gauge galvanized steel liner with 2" Polyisocyanurate insulation.
- RD: Mill finish .090 aluminum exterior with .063 aluminum liner with 2" Polyisocyanurate insulation

Curb:

- M: 14 gauge galvanized steel exterior with 22 gauge galvanized steel liner, a 12" high curb, integral counterflashing, 4½" wide mounting flanges with pre-drilled holes and 2" Polyisocyanurate insulation
- RD: Mill finish .090 aluminum exterior with .063 aluminum liner, a 12" high curb, integral counterflashing, 4½" wide mounting flanges with pre-drilled holes and 2" Polyisocyanurate insulation

Gasket: Extruded EPDM rubber gasket adhered to cover

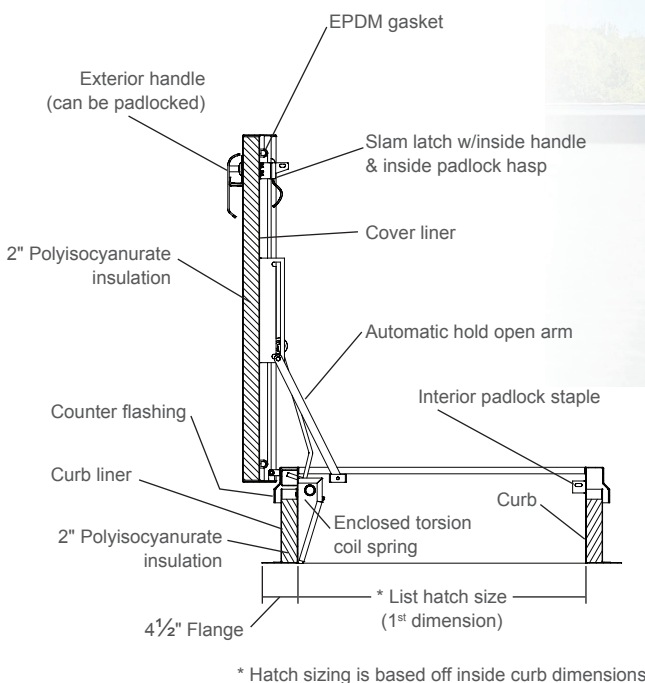
Hinges: Steel Pintle Hinge

Lift Assist: Cover operation is assisted by enclosed heavy-duty Torsion Coil Spring

Latches: Slam latch with interior and exterior handles and padlock hasp.

Hardware: All hardware is zinc plated (stainless steel hardware optional)

Load Capacity: 70 psf



Size	Galvanized Steel Cover and Curb		Aluminum Cover and Curb	
	Model No.	Lbs.	Model No.	Lbs.
3' 0" x 2' 6"	M-1 EE		RD-1 EE	
3' 0" x 3' 0"	M-3x3 EE		RD-3x3 EE	
4' 0" x 4' 0"	M-7 EE		RD-4X4 EE	
2' 6" x 4' 6"	M-2 EE		RD-2 EE	
2' 6" x 8' 0"	M-3 EE		RD-3 EE	

ROOF ACCESS HATCHES

M-1 HATCH

SPECIFICATIONS

Material: 14 gauge galvanized steel cover and Curb

Finish:

- Galvanized Steel: White Powder Coat

Cover:

- Covers open easily to 90 degrees
- 14 gauge galvanized steel exterior with 22 gauge galvanized steel liner bonded to core of 1" rigid polystyrene insulation.

Curb: 14 gauge galvanized steel with a 12" high curb, integral counterflashing, 3½" wide mounting flanges with pre-drilled holes and 1" exterior fiberboard insulation

Gasket: Extruded EPDM rubber gasket adhered to cover

Hinges: Integrated Plate Hinge

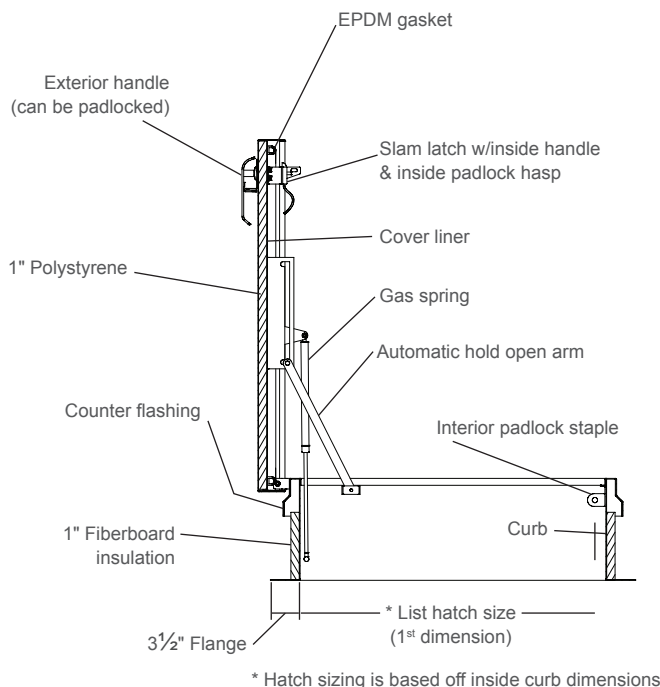
Lift Assist: Cover operation is assisted by gas spring

Latches: Slam latch with interior and exterior handles and padlock hasps

Hardware: All hardware is zinc plated (stainless steel hardware optional)

Load Capacity: 70 psf

Certifications: Florida Product Approval: FL 16737-R1



ROOF ACCESS HATCHES

PERSONNEL

LADDER ACCESS

SPECIFICATIONS

Material:

- M: 14 gauge galvanized steel cover and curb
- RB: 14 gauge galvanized steel cover and curb
- RC: .090 Aluminum cover and 14 gauge galvanized steel curb
- RD: .090 Aluminum cover and curb

Finish:

- Galvanized Steel: Cool White Water Based Enamel Paint
- Aluminum: Mill Finish

Cover: covers open easily to 90 degrees

- M & RB: 14 gauge galvanized steel exterior with 22 gauge galvanized steel liner bonded to core of 1" rigid polystyrene insulation (M Style) or 1" fiberglass insulation (RB Style).
- RC & RD: Mill finish .090 aluminum exterior with .063 aluminum liner with 1" fiberglass insulation. (RD-1 uses 1" Styrofoam insulation)

Curb:

- M, RB & RC: 14 gauge galvanized steel with a 12" high curb, integral counterflashing, 3½" wide mounting flanges with pre-drilled holes and 1" exterior fiberboard insulation
- RD: Mill finish .090 aluminum with a 12" high curb, integral counterflashing, 3½" wide mounting flanges with pre-drilled holes and 1" exterior fiberboard insulation

Gasket: Extruded EPDM rubber gasket adhered to cover

Hinges: Steel Pintle Hinge

Lift Assist:

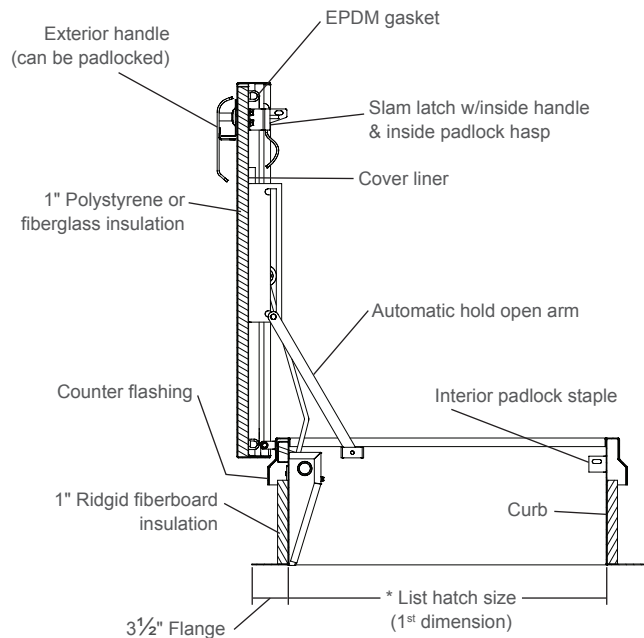
- M: Cover operation is assisted Torsion Bar (M-7 comes standard with a torsion coil spring)
- RB, RC & RD: Cover operation is assisted by enclosed heavy-duty Torsion Coil Spring

Latches: Slam latch with interior and exterior handles and padlock hasps.

Hardware: All hardware is zinc plated (stainless steel hardware optional)

Load Capacity:

- M & RD-1: 70 psf
- RB, RC & RD-3x3: 40 psf



* Hatch sizing is based off inside curb dimensions

Size	Galvanized Steel Cover and Curb		Galvanized Steel Cover and Curb		Aluminum Cover, Galvanized Curb		Aluminum Cover and Curb	
	Model No.	Lbs.	Model No.	Lbs.	Model No.	Lbs.	Model No.	Lbs.
3'0" x 2'6"			RB-1	205	RC-1	160	RD-1	125
3'0" x 3'0"	M-3x3	254					RD-3x3	155
4'0" x 4'0"	M-7	365	RB-4x4	365			RD-4x4	200

ROOF ACCESS HATCHES

PERSONNEL

SHIP STAIR

SPECIFICATIONS

Material:

- M: 14 gauge galvanized steel cover and Curb
- RB: 14 gauge galvanized steel cover and Curb
- RC: .090 Aluminum Cover and 14 gauge galvanized steel Curb
- RD: .090 Aluminum Cover and Curb

• **Finish:**

- Galvanized Steel: Cool White Water Based Enamel Paint
- Aluminum: Mill Finish

Cover: Covers open easily to 90 degrees

- M & RB: 14 gauge galvanized steel exterior with 22 gauge galvanized steel liner bonded to core of 1" rigid polystyrene insulation (M Style) or 1" fiberglass insulation (RB Style).
- RC & RD: Mill finish .090 aluminum exterior with .063 aluminum liner with 1" fiberglass insulation.

Curb:

- M, RB & RC: 14 gauge galvanized steel with a 12" high curb, integral counterflashing, 3½" wide mounting flanges with pre-drilled holes and 1" exterior fiberboard insulation
- RD: Mill finish .090 aluminum with a 12" high curb, integral counterflashing, 3½" wide mounting flanges with pre-drilled holes and 1" exterior fiberboard insulation

Gasket: Extruded EPDM rubber gasket adhered to cover

Hinges: Steel Pintle Hinge

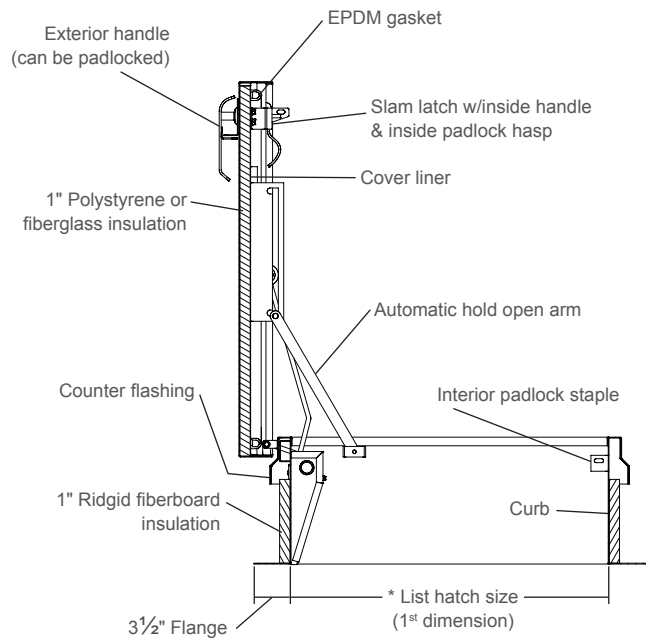
Lift Assist: Cover operation is assisted by enclosed heavy-duty Torsion Coil Spring

Latches: Slam latch with interior and exterior handles and padlock hasps.

Hardware: All hardware is zinc plated (stainless steel hardware optional)

Load Capacity:

- M: 70 psf
- RB, RC & RD: 40 psf



* Hatch sizing is based off inside curb dimensions

Size	Galvanized Steel Cover and Curb		Galvanized Steel Cover and Curb		Aluminum Cover, Galvanized Curb		Aluminum Cover and Curb	
	Model No.	Lbs.	Model No.	Lbs.	Model No.	Lbs.	Model No.	Lbs.
2'6" x 4'6"	M-2	265	RB-2	255	RC-2	174	RD-2	136

ROOF ACCESS HATCHES

PERSONNEL

SERVICE STAIR

SPECIFICATIONS

Material:

- M: 14 gauge galvanized steel cover and Curb
- RB: 14 gauge galvanized steel cover and Curb
- RC: .090 Aluminum Cover and 14 gauge galvanized steel Curb
- RD: .090 Aluminum Cover and Curb

Finish:

- Galvanized Steel: Cool White Water Based Enamel Paint
- Aluminum: Mill Finish

Cover: covers open easily to 90 degrees

- M & RB: 14 gauge galvanized steel exterior with 22 gauge galvanized steel liner bonded to core of 1" rigid polystyrene insulation (M Style) or 1" fiberglass insulation (RB Style).
- RC & RD: Mill finish .090 aluminum exterior with .063 aluminum liner with 1" fiberglass insulation.

Curb:

- M, RB & RC: 14 gauge galvanized steel with a 12" high curb, integral counterflashing, 3½" wide mounting flanges with pre-drilled holes and 1" exterior fiberboard insulation
- RD: Mill finish .090 aluminum with a 12" high curb, integral counterflashing, 3½" wide mounting flanges with pre-drilled holes and 1" exterior fiberboard insulation

Gasket: Extruded EPDM rubber gasket adhered to cover

Hinges: Steel Pintle Hinge

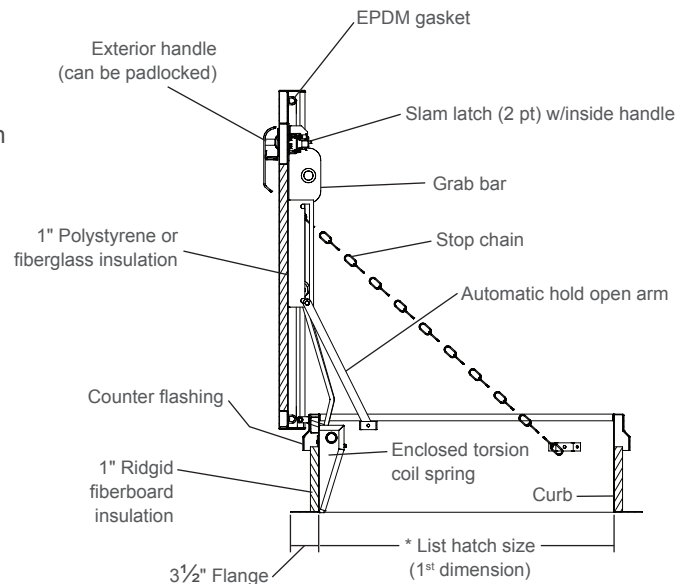
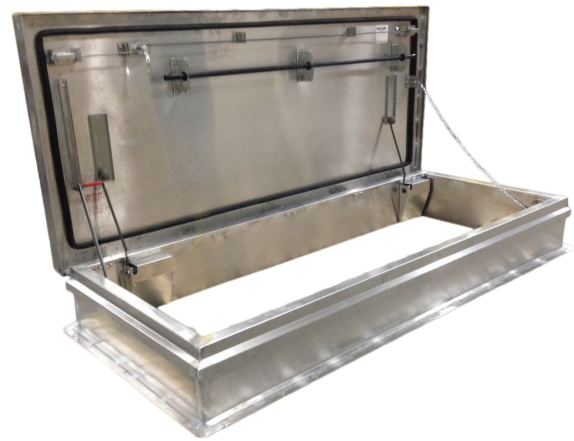
Lift Assist: Cover operation is assisted by enclosed heavy-duty Torsion Coil Spring

Latches: Slam latch with interior and exterior handles and padlock hasps.

Hardware: All hardware is zinc plated (stainless steel hardware optional)

Load Capacity:

- M: 70 psf
- RB, RC & RD: 40 psf



Size	Galvanized Steel Cover and Curb		Galvanized Steel Cover and Curb		Aluminum Cover, Galvanized Curb		Aluminum Cover and Curb	
	Model No.	Lbs.	Model No.	Lbs.	Model No.	Lbs.	Model No.	Lbs.
2'6" x 8'0"	M-3	395	RB-3	425	RC-3	307	RD-3	248

ROOF ACCESS HATCHES

EQUIPMENT ACCESS – DOUBLE LEAF

SPECIFICATIONS

Material:

- RB: 14 gauge galvanized steel cover and Curb
- RC: .090 Aluminum Cover and 14 gauge galvanized steel Curb
- RD: .090 Aluminum Cover and Curb

Finish:

- Galvanized Steel: Cool White Water Based Enamel Paint
- Aluminum: Mill Finish

Cover:

- RB: 14 gauge galvanized steel exterior with 22 gauge galvanized steel liner with 1" fiberglass insulation.
- RC & RD: Mill finish .090 aluminum exterior with .063 aluminum liner with 1" fiberglass insulation.

Curb:

- RB & RC: 14 gauge galvanized steel with a 12" high curb, integral counterflashing, 3½" wide mounting flanges with pre-drilled holes and 1" exterior fiberboard insulation
- RD: Mill finish .090 aluminum with a 12" high curb, integral counterflashing, 3½" wide mounting flanges with pre-drilled holes and 1" exterior fiberboard insulation

Gasket: Extruded EPDM rubber gasket adhered to cover

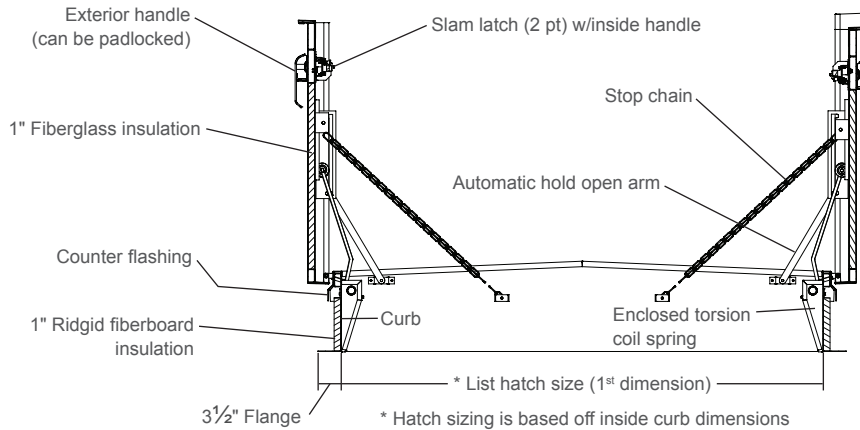
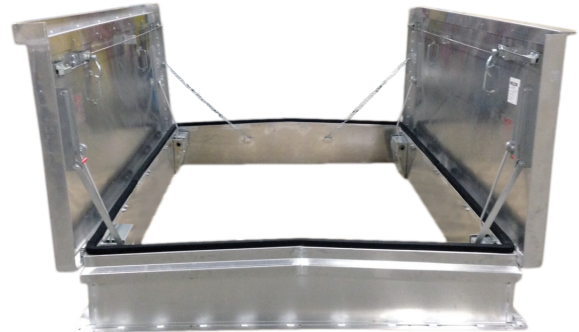
Hinges: Steel Pintle Hinge

Lift Assist: Cover operation is assisted by enclosed heavy-duty Torsion Coil Spring

Latches: Two-point slam latch system for tight, secure closure with interior and exterior handles and padlock hasps.

Hardware: All hardware is zinc plated (stainless steel hardware optional)

Load Capacity: 40 psf



Size	Galvanized Steel Cover and Curb		Aluminum Cover, Galvanized Curb		Aluminum Cover and Curb	
	Model No.	Lbs.	Model No.	Lbs.	Model No.	Lbs.
5'0" x 11'0"	RB-4	1831	RC-4	1220	RD-4	1055
6'0" x 11'0"	RB-5	2060	RC-5	1332	RD-5	1166
8'0" x 8'0"			RC-6	1220	RD-6	1055

ROOF ACCESS HATCHES

SAFETY RAIL SYSTEMS

- *Installs in minutes!*
- *No tools required*
- *Best in class*
- *Industry leader*

SAFETY ACCESSORIES

SPECIFICATIONS

Benefits:

- Durable/Sturdy Metal Fabrication
- Durable powder coat finish to withstand the elements
- Fully Assembled, no field fabrication is required
- 5 year warranty

Latches:

- Chained and Gated options both come in all of our standard sized single leaf hatches (36" x 30", 36" x 36", 48" x 48", 30" x 54", and 30" x 96")
- Other sizes available upon request

OSHA Compliant:

- Meets OSHA fall protection standards 29 CFR 1910.23 and 1926.502 guarding for opening requirements and supports 200 lbs force
- Posts, top rail, & mid rails – fully welded 1.5" x 1.5" x .083" structural steel square tubing
- Mounting brackets – fully welded to curb
- 2/0 steel chain – poly coat yellow, quick spring snap connection
- Powder coated safety yellow rails
- Optional spring hinged gate



M-1 with Gated Safety Rail System
Part Number 3501-501-9SRG



M-1 with Chained Safety Rail System
Part Number 3501-501-9SRC



ROOF ACCESS HATCHES

RETROFIT SAFETY RAIL SYSTEMS

SAF-T-RAIL

SPECIFICATIONS

Benefits:

- Easily installs in minutes with non-penetrating attachments using standard tools
- Telescoping Rails that fit hatch sizes 30" x 30" to 48" x 54"
- Installs on existing hatches with cap flashings from ANY manufacturer
- Durable/Sturdy Metal Fabrication
- Durable safety yellow powder coat to withstand the elements
- Structural steel square tubing
- 5 year warranty

OSHA Compliant:

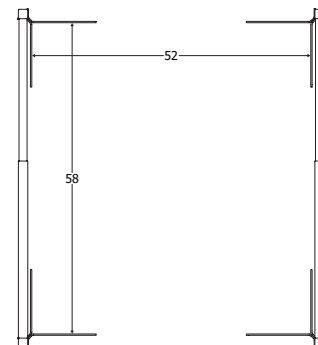
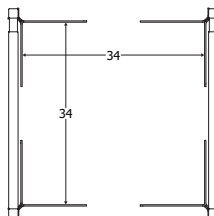
- Meets OSHA fall protection standards 29 CFR 1910.23 and 1926.502 guarding for opening requirements and supports 200 lbs force
- Posts, top rail, mid-rails & gate made of structural steel square tubing
- Powder coated safety yellow rails



**PATENT
PENDING**

Notes:

1. Smallest hatch accommodation is 30" x 30" normal
2. Largest hatch accommodation is 48" x 54" normal
3. Displayed dimension are outside dimensions of hatch curb cap



Telescoping Rails



Corner Brackets



Easy to install hinges

ROOF ACCESS HATCHES

UPRIGHT SAFETY BAR

SAFETY ACCESSORIES

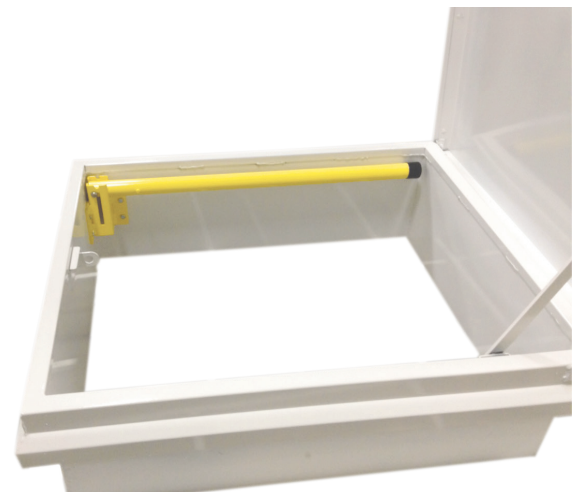
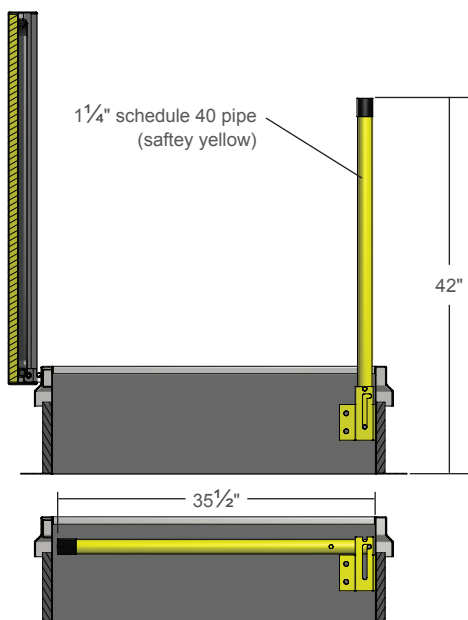
SPECIFICATIONS

Benefits:

- The Milcor Upright Safety Bar is designed to assist in safe passage when exiting and entering the roof hatch. A heavy-duty, hinged steel mechanism allows the upward and downward movement of the bright yellow safety bar.
- No need to attach bar to center of ladder rungs. Milcor's Upright Safety Bar is designed to provide the safest way to exit and enter a roof hatch without restricting the opening or footing on the top rungs of the ladder.

Quality Design and Construction:

- Simple and safe lift-and-lock into place movement.
- Side location for safer and more convenient passage.
- Automatically locks when fully extended.
- Shipped as a separate unit. Also available assembled to roof hatch.
- Designed for hatches 4-foot and smaller on the ladder side.
- Designed to provide approximately 42" height above ladder.



ROOF ACCESS HATCHES

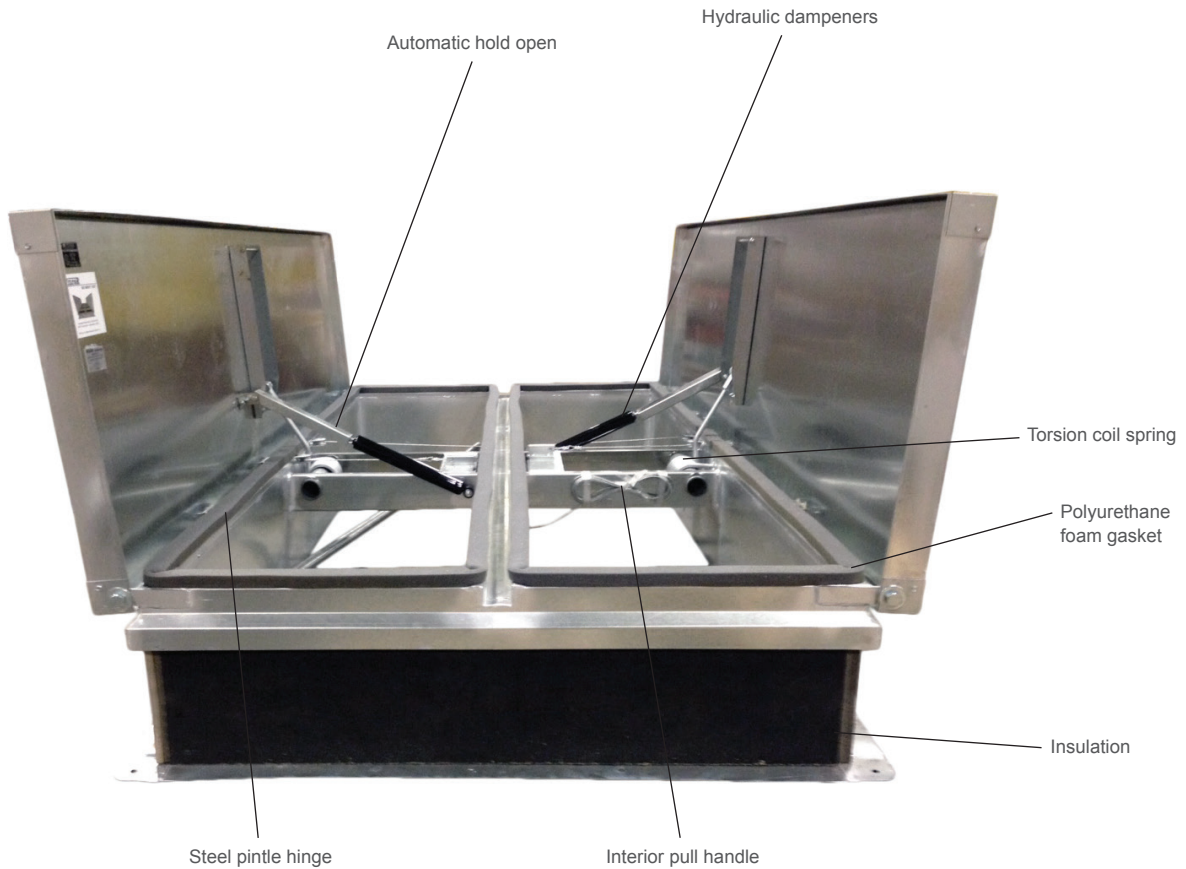
OPTIONS

Hatch Options

- Custom Sizes
- Metal Roofs
- Stainless Steel Hardware
- Custom cover and curb insulation types and thicknesses
- Motorized (single leaf only)
- Pitched
- Curb Heights
- Curb Liner

HEAT & SMOKE VENTS

PRODUCT FEATURE



Features & Benefits

- Designed to open automatically to 90 degrees in the event of a fire
- Releases smoke decreasing the possibility of deadly smoke inhalation to building occupants
- Permits firefighters to douse flames directly from rooftop
- Comes in a number of UL Listed sizes and styles
- Fully insulated cover and curb
- Interior and exterior pull release handles for manual opening
- Equipped with hydraulic shock dampeners to prevent over travel

HEAT & SMOKE VENTS

LOW PROFILE

SPECIFICATIONS

Material:

- U-LP: 22 gauge galvanized steel cover and 16 gauge galvanized steel curb
- U-LPA: .063 Aluminum cover and .090 Aluminum curb
- U-LPAG: .063 Aluminum cover and 16 gauge galvanized steel curb

Finish:

- Galvanized Steel: Mill Finish
- Aluminum: Mill Finish

Cover: High-strength composite construction with exterior cover and liner bonded to a 1" core of rigid foam-type insulation

Curb: 13½" in height with 3½" pre-drilled mounting flanges and counterflashing with 1" thick exterior fiberboard insulation

Gasket: Polyurethane Foam Gasket adhered to the entire perimeter of curb

Hinges: Steel Pintle Hinge

Springs: Torsion Coil Spring operators to open against a 10 psf snow or wind load

Dampeners: Hydraulic dampeners to control cover opening speed and prevent over-travel

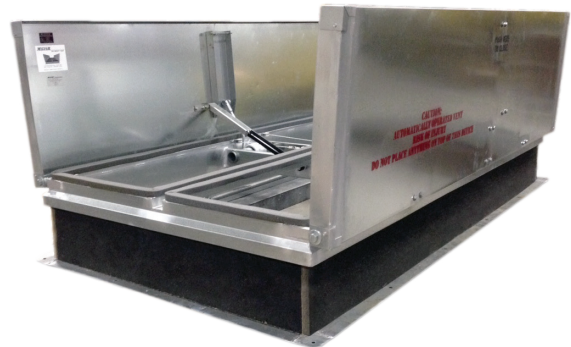
Latches: Latch designed to open automatically with parting of single 360 degree fusible link or manually with interior and exterior pull release handles without disturbing the fusible link. Designed to hold covers closed when subjected to 240 psf uplift pressure for U-LP or 225 psf uplift pressure for U-LPA or U-LPAG

Hardware: All hardware is zinc plated (stainless steel hardware optional)

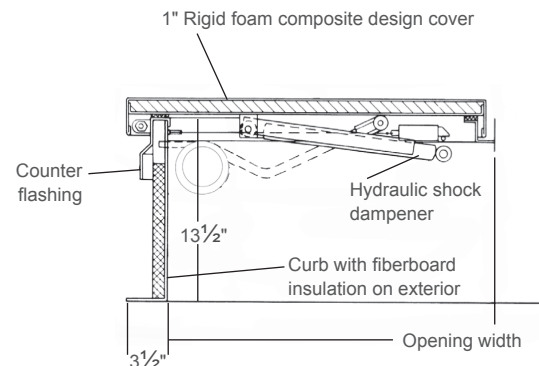
Operation: Covers automatically spring open to approximately 90 degrees in the event of fire, being actuated by the parting of a single UL-listed 360 degree F fusible link, automatically locking in the fully opened position

Certifications:

- UL 793 Listed
- UL 790 Certified
- FM Approved



Size	Galvanized Steel		Aluminum		Aluminum Cover & Galvanized Curb	
	Model No.	Lbs.	Model No.	Lbs.	Model No.	Lbs.
4'0" x 4'0"	U-LP-4848	275	U-LPA-4848	205	U-LPAG-4848	250
4'0" x 5'0"	U-LP-4860	325	U-LPA-4860	241	U-LPAG-4860	312
4'0" x 6'0"	U-LP-4872	375	U-LPA-4872	284	U-LPAG-4872	337
4'0" x 7'0"	U-LP-4884	425	U-LPA-4884	327	U-LPAG-4884	385
4'0" x 7'6"	U-LP-4890	450	U-LPA-4890	336	U-LPAG-4890	407
4'0" x 8'0"	U-LP-4896	475	U-LPA-4896	359	U-LPAG-4896	430
4'6" x 4'0"	U-LP-5448	300	U-LPA-5448	225		
4'6" x 5'0"	U-LP-5460	360	U-LPA-5460	270		
4'6" x 6'0"	U-LP-5472	420	U-LPA-5472	320		
5'0" x 5'0"	U-LP-6060	385	U-LPA-6060	285	U-LPAG-6060	368



HEAT & SMOKE VENTS

BIG SMOKY

SPECIFICATIONS

Material:

- U-LP: 22 gauge galvanized steel cover and 16 gauge galvanized steel curb
- U-LPA: .063 Aluminum cover and .090 Aluminum curb
- U-LPAG: .063 Aluminum cover and 16 gauge galvanized steel curb

Finish:

- Galvanized Steel: Mill Finish
- Aluminum: Mill Finish

Cover: High-strength composite construction with exterior cover and liner bonded to a 2" core of rigid foam-type insulation

Curb: 13½" in height with 3½" pre-drilled mounting flanges and counterflashing with 1" thick exterior fiberboard insulation

Gasket: Polyurethane Foam Gasket adhered to the entire perimeter of curb

Hinges: Steel Pintle Hinge

Springs: Torsion Coil Spring operators to open against a 10 psf snow or wind load

Dampeners: Hydraulic dampeners to control cover opening speed and prevent over travel

Latches: Latch designed to open automatically with parting of single 360 degree fusible link or manually with interior and exterior pull release handles without disturbing the fusible link. Designed to hold covers closed when subjected to 240 psf uplift pressure for U-LP or 225 psf uplift pressure for U-LPA or U-LPAG

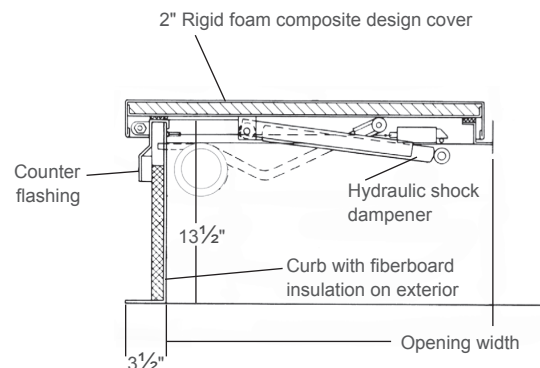
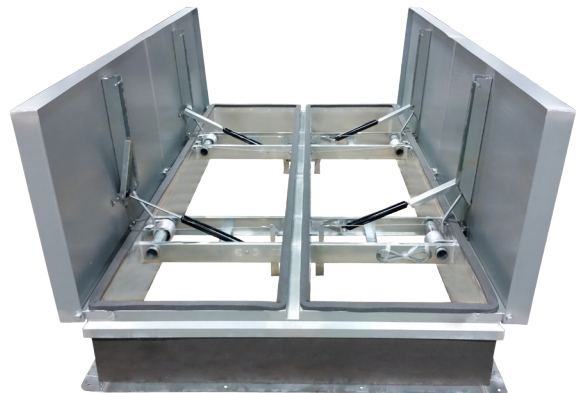
Hardware: All hardware is zinc plated (stainless steel hardware optional)

Operation: Covers automatically spring open to approximately 90 degrees in the event of fire, being actuated by the parting of a single UL-listed 360 degree F fusible link, automatically locking in the fully opened position

Certifications:

- UL 793 Listed
- UL 790 Certified
- FM Approved

Size	Galvanized Steel		Aluminum		Aluminum Cover & Galvanized Curb	
	Model No.	Lbs.	Model No.	Lbs.	Model No.	Lbs.
5'0" x 6'0"	U-LP-6072	460	U-LPA-6072	350	U-LPAG-6072	414
5'0" x 7'0"	U-LP-6084	530	U-LPA-6084	405	U-LPAG-6084	483
5'0" x 8'0"	U-LP-6096	590	U-LPA-6096	450	U-LPAG-6096	530
5'0" x 9'0"	U-LP-60108	650	U-LPA-60108	495	U-LPAG-60108	596
5'0" x 10'0"	U-LP-60120	720	U-LPA-60120	550	U-LPAG-60120	647
5'0" x 11'0"	U-LP-60132	800	U-LPA-60132	608	U-LPAG-60132	720
5'0" x 12'0"	U-LP-60144	860	U-LPA-60144	655	U-LPAG-60144	774
5'6" x 6'0"	U-LP-6672	500	U-LPA-6672	380	U-LPAG-6672	455
5'6" x 7'0"	U-LP-6684	570	U-LPA-6684	435	U-LPAG-6684	531
5'6" x 8'0"	U-LP-6696	640	U-LPA-6696	487	U-LPAG-6696	583
5'6" x 9'0"	U-LP-66108	730	U-LPA-66108	555	U-LPAG-66108	655
5'6" x 10'0"	U-LP-66120	800	U-LPA-66120	610	U-LPAG-66120	712
5'6" x 11'0"	U-LP-66132	870	U-LPA-66132	662	U-LPAG-66132	792
5'6" x 12'0"	U-LP-66144	940	U-LPA-66144	715	U-LPAG-66144	847
6'0" x 6'0"	U-LP-7272	540	U-LPA-7272	411	U-LPAG-7272	496
6'0" x 7'0"	U-LP-7284	620	U-LPA-7284	472	U-LPAG-7284	579
6'0" x 8'0"	U-LP-7296	720	U-LPA-7296	548	U-LPAG-7296	636
6'0" x 9'0"	U-LP-72108	790	U-LPA-72108	601	U-LPAG-72108	715
6'0" x 10'0"	U-LP-72120	860	U-LPA-72120	654	U-LPAG-72120	776
6'0" x 11'0"	U-LP-72132	940	U-LPA-72132	715	U-LPAG-72132	863
6'0" x 12'0"	U-LP-72144	1010	U-LPA-72144	768	U-LPAG-72144	910



HEAT & SMOKE VENTS

STC-40 ACOUSTICAL

SPECIFICATIONS

Material: 14 gauge galvanized steel cover and frame with 22 gauge galvanized steel liners

Finish: Mill Finish

Cover: 14 gauge galvanized exterior and 22 gauge galvanized interior liner contains 5" of insulation and acoustical barrier within 5" thick cover.

Curb: 15½" in height with 4½" pre-drilled mounting flanges and counterflashing with 2" thick fiberglass acoustical insulation protected by a 22 gauge galvanized steel liner

Gasket:

- Polyurethane Foam Gasket adhered to the entire perimeter of curb
- Mechanically fastened weather seal

Hinges: Steel Pintle Hinge

Springs: Torsion Coil Spring operators to open against a 10 psf snow or wind load

Dampeners: Hydraulic dampeners to control cover opening speed and prevent over travel

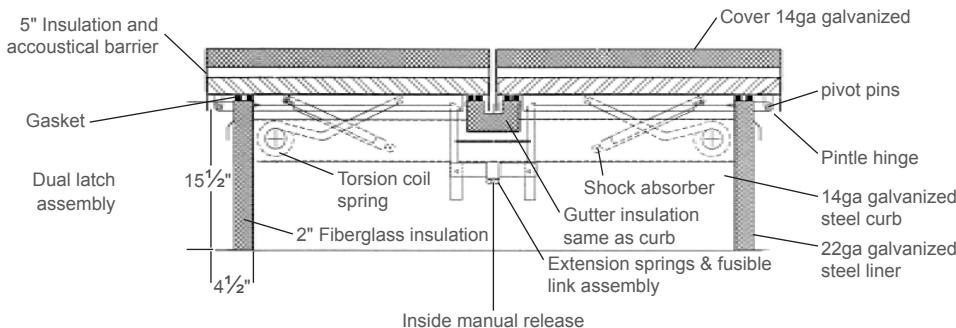
Latches: Latch designed to open automatically with parting of single 360 degree fusible link or manually with interior and exterior pull release handles without disturbing the fusible link. Designed to hold covers closed when subjected to 240 psf uplift pressure

Hardware: All hardware is zinc plated (stainless steel hardware optional)

Operation: Covers automatically spring open to approximately 90 degrees in the event of fire, being actuated by the parting of a single UL-listed 360 degree F fusible link, automatically locking in the fully opened position

Certifications:

- STC-40 Sound Rating
- FM Approved



Size	STC-40	
	Model No.	Lbs.
4'0" x 4'0"	U-LP STC-40-4848	910
4'0" x 5'0"	U-LP STC-40-4860	935
4'0" x 6'0"	U-LP STC-40-4872	960
4'0" x 7'0"	U-LP STC-40-4884	990
4'0" x 8'0"	U-LP STC-40-4896	1040
5'0" x 6'0"	U-LP STC-40-6072	1030
5'0" x 7'0"	U-LP STC-40-6084	1100
5'0" x 8'0"	U-LP STC-40-6096	1185
5'0" x 9'0"	U-LP STC-40-60108	1255
5'0" x 10'0"	U-LP STC-40-60120	1400
5'0" x 11'0"	U-LP STC-40-60132	1530
5'0" x 12'0"	U-LP STC-40-60144	1662
5'6" x 6'0"	U-LP STC-40-6672	1050
5'6" x 7'0"	U-LP STC-40-6684	1130
5'6" x 8'0"	U-LP STC-40-6696	1250
5'6" x 9'0"	U-LP STC-40-66108	1380
5'6" x 10'0"	U-LP STC-40-66120	1530
5'6" x 11'0"	U-LP STC-40-66132	1675
5'6" x 12'0"	U-LP STC-40-66144	1830
6'0" x 6'0"	U-LP STC-40-7272	1100
6'0" x 7'0"	U-LP STC-40-7284	1210
6'0" x 8'0"	U-LP STC-40-7296	1330
6'0" x 9'0"	U-LP STC-40-72108	1500
6'0" x 10'0"	U-LP STC-40-72120	1682
6'0" x 11'0"	U-LP STC-40-72132	1830
6'0" x 12'0"	U-LP STC-40-72144	1995

HEAT & SMOKE VENTS

STC-50 ACOUSTICAL

SPECIFICATIONS

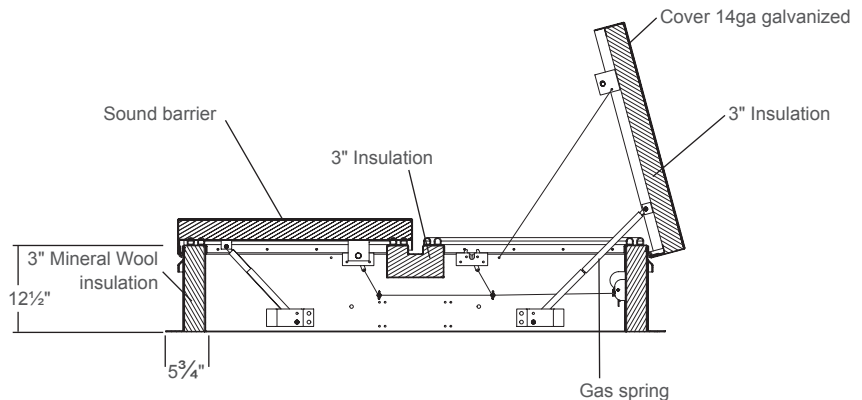
- Material:** 14 gauge galvanized steel covers and curb with 12 gauge galvanized steel counterflashing
- Finish:** Curb and interior cover powder coated black and exterior cover powder coated white
- Cover:** Covers insulated with mineral wool 3" in thickness and lined with acoustical barrier and protected by cover liner
- Curb:** 12½" in height, 5¾" pre-drilled mounting flanges and a counterflashing. Curb and gutter are insulated with mineral wool 3" in thickness and lined with acoustical barrier to provide excellent sound deadening
- Gasket:** Two layers of D-profile EPDM gasket are adhered to the entire perimeter of curb
- Hinges:** Stainless steel butt hinges
- Springs:** Dampened Gas Springs to open against a 10 psf snow or wind load at a safe and controlled speed



- Latches:** Rotary latch designed to withstand 90 psf wind uplift for Class 90 roof decks. Latch is cable routed to automatically open by parting of single 360 degree fusible link or manually with interior exterior pull release handles without disturbing the fusible link
- Hardware:** All hardware is zinc plated, stainless steel, or powder coated to prevent corrosion
- Operation:** Covers automatically spring open to approximately 80 degrees in the event of fire, being actuated by the parting of a single UL-listed fusible link, or manually opened by actuating interior or exterior release. Once covers are fully opened, gas springs will lock to prevent the covers from prematurely closing. The locks can be opened with an external cable routing to allow the covers to be closed

- Certifications:**
- Materials rated for STC-50
 - UL listed

Size	STC-50	
	Model No.	Lbs.
4'0" x 4'0"	U-LP STC-50 4848	979
4'0" x 5'0"	U-LP STC-50 4860	1112
4'0" x 6'0"	U-LP STC-50 4872	1244
4'0" x 7'0"	U-LP STC-50 4884	1377
4'0" x 8'0"	U-LP STC-50 4896	1509
5'0" x 6'0"	U-LP STC-50 6072	1394
5'0" x 7'0"	U-LP STC-50 6084	1535
5'0" x 8'0"	U-LP STC-50 6096	1675
5'0" x 9'0"	U-LP STC-50 60108	1816
5'0" x 10'0"	U-LP STC-50 60120	1957
5'0" x 11'0"	U-LP STC-50 60132	2098
5'0" x 12'0"	U-LP STC-50 60144	2239
5'6" x 6'0"	U-LP STC-50 6672	1468
5'6" x 7'0"	U-LP STC-50 6684	1613
5'6" x 8'0"	U-LP STC-50 6696	1759
5'6" x 9'0"	U-LP STC-50 66108	1904
5'6" x 10'0"	U-LP STC-50 66120	2049
5'6" x 11'0"	U-LP STC-50 66132	2194
5'6" x 12'0"	U-LP STC-50 66144	2339
6'0" x 6'0"	U-LP STC-50 7272	1543
6'0" x 7'0"	U-LP STC-50 7284	1692
6'0" x 8'0"	U-LP STC-50 7296	1842
6'0" x 9'0"	U-LP STC-50 72108	1991
6'0" x 10'0"	U-LP STC-50 72120	2140
6'0" x 11'0"	U-LP STC-50 72132	2290
6'0" x 12'0"	U-LP STC-50 72144	2439



HEAT & SMOKE VENTS

UL-SKY FLAT PANEL SKYLIGHT

SPECIFICATIONS

Material:

- UL-SKY: 16 gauge galvanized steel
- UL-SKYA: .090 aluminum

Finish:

- Galvanized Steel: Mill Finish
- Aluminum: Mill Finish

Cover: Damage resistance, light admitting, polycarbonate panels surrounded by an extruded aluminum frame.

Curb: 13½" in height with 3½" pre-drilled mounting flanges and counterflashing with 1" thick exterior fiberboard insulation

Gasket: Polyurethane Foam Gasket adhered to the entire perimeter of curb

Hinges: Steel Pintle Hinge

Springs: Torsion Coil Springs

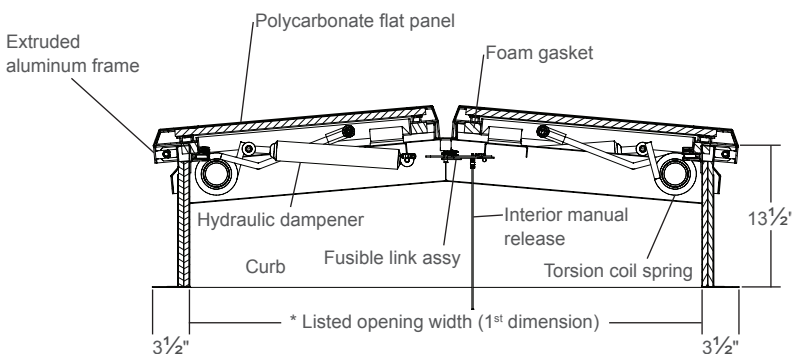
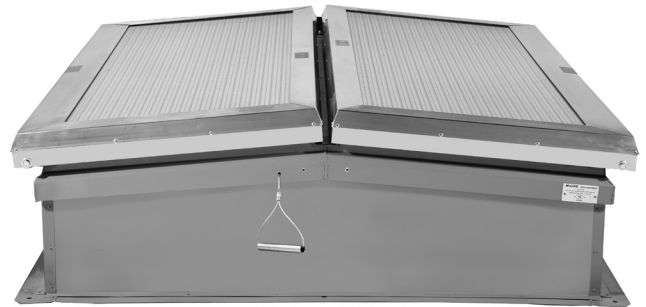
Dampeners: Hydraulic dampeners to control cover opening speed and prevent over travel

Latches: Latch designed to open automatically with parting of single 360 degree fusible link or manually with interior and exterior pull release handles without disturbing the fusible link.

Hardware: All hardware is zinc plated (stainless steel hardware optional)

Operation: Covers automatically spring open to approximately 90 degrees in the event of fire, being actuated by the parting of a single UL-listed 360 degree F fusible link, automatically locking in the fully opened position

Certifications: None



* Smoke vent sizing is based off inside curb dimensions, 2nd dimension is the hinge side.

Size	Galvanized Steel Curb		Aluminum	
	Model No.	Lbs.	Model No.	Lbs.
4'0" x 4'0"	UL-SKY-4848	284	UL-SKYA-4848	202
4'0" x 5'0"	UL-SKY-4860	337	UL-SKYA-4860	240
4'0" x 6'0"	UL-SKY-4872	390	UL-SKYA-4872	278
4'0" x 7'0"	UL-SKY-4884	443	UL-SKYA-4884	316
4'0" x 8'0"	UL-SKY-4896	496	UL-SKYA-4896	354
4'6" x 4'0"	UL-SKY-5448	311	UL-SKYA-5448	221
4'6" x 5'0"	UL-SKY-5460	364	UL-SKYA-5460	259
4'6" x 6'0"	UL-SKY-5472	417	UL-SKYA-5472	297
4'6" x 7'0"	UL-SKY-5484	470	UL-SKYA-5484	335
4'6" x 8'0"	UL-SKY-5496	523	UL-SKYA-5496	373
5'0" x 4'0"	UL-SKY-6048	337	UL-SKYA-6048	240
5'0" x 5'0"	UL-SKY-6060	390	UL-SKYA-6060	278
5'0" x 6'0"	UL-SKY-6072	443	UL-SKYA-6072	316
5'0" x 7'0"	UL-SKY-6084	496	UL-SKYA-6084	354
5'0" x 8'0"	UL-SKY-6096	549	UL-SKYA-6096	391
5'6" x 4'0"	UL-SKY-6648	364	UL-SKYA-6648	259
5'6" x 5'0"	UL-SKY-6660	417	UL-SKYA-6660	297
5'6" x 6'0"	UL-SKY-6672	470	UL-SKYA-6672	335
5'6" x 7'0"	UL-SKY-6684	523	UL-SKYA-6684	373
5'6" x 8'0"	UL-SKY-6696	576	UL-SKYA-6696	410
6'0" x 4'0"	UL-SKY-7248	390	UL-SKYA-7248	278
6'0" x 5'0"	UL-SKY-7260	443	UL-SKYA-7260	316
6'0" x 6'0"	UL-SKY-7272	496	UL-SKYA-7272	354
6'0" x 7'0"	UL-SKY-7284	549	UL-SKYA-7284	391
6'0" x 8'0"	UL-SKY-7296	602	UL-SKYA-7296	429

HEAT & SMOKE VENTS

UL-SEE DOMED SKYLIGHT

SPECIFICATIONS

Material:

- UL-SEE: 16 gauge galvanized steel
- UL-SEEA: .090 aluminum

Finish:

- Galvanized Steel: Mill Finish
- Aluminum: Mill Finish

Cover: Damage resistance, light admitting, 1/8" polycarbonate outer dome with 1/8" polycarbonate inner dome, surrounded by an extruded aluminum frame.

Curb: 13 1/2" in height with 3 1/2" pre-drilled mounting flanges and counterflashing with 1" thick exterior fiberboard insulation

Gasket: Polyurethane Foam Gasket adhered to the entire perimeter of curb

Hinges: Steel Pintle Hinge

Springs: Torsion Coil Spring operators to open against a 10 psf snow or wind load

Dampeners: Hydraulic dampeners to control cover opening speed and prevent over travel

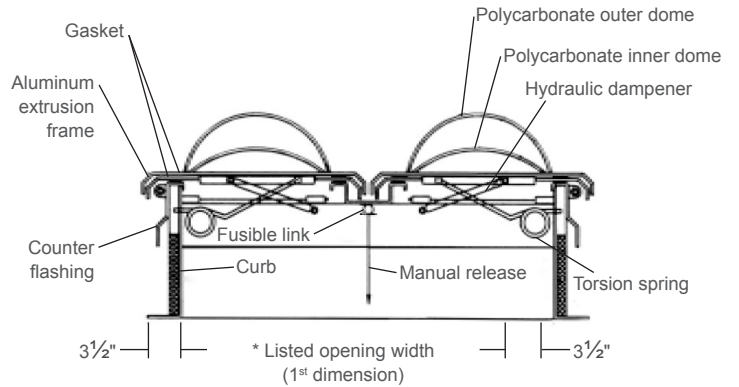
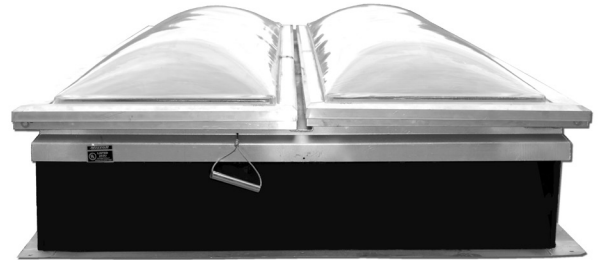
Latches: Latch designed to open automatically with parting of single 360 degree fusible link or manually with interior and exterior pull release handles without disturbing the fusible link. Designed to hold covers closed when subjected to 30 psf uplift pressure

Hardware: All hardware is zinc plated (stainless steel hardware optional)

Operation: Covers automatically spring open to approximately 90 degrees in the event of fire, being actuated by the parting of a single UL-listed 360 degree F fusible link, automatically locking in the fully opened position

Certifications:

- UL 793 Listed
- UL 790 Certified



Size	Galvanized Steel Curb		Aluminum	
	Model No.	Lbs.	Model No.	Lbs.
4'0" x 4'0"	UL-SEE-4848	240	UL-SEEA-4848	240
4'0" x 5'0"	UL-SEE-4860	285	UL-SEEA-4860	285
4'0" x 6'0"	UL-SEE-4872	330	UL-SEEA-4872	330
4'0" x 7'0"	UL-SEE-4884	370	UL-SEEA-4884	370
4'0" x 8'0"	UL-SEE-4896	420	UL-SEEA-4896	420
4'6" x 4'0"	UL-SEE-5448	265	UL-SEEA-5448	265
4'6" x 5'0"	UL-SEE-5460	320	UL-SEEA-5460	320
4'6" x 6'0"	UL-SEE-5472	355	UL-SEEA-5472	355
4'6" x 7'0"	UL-SEE-5484	430	UL-SEEA-5484	430
4'6" x 8'0"	UL-SEE-5496	480	UL-SEEA-5496	480
5'0" x 4'0"	UL-SEE-6048	300	UL-SEEA-6048	300
5'0" x 5'0"	UL-SEE-6060	355	UL-SEEA-6060	355
5'0" x 6'0"	UL-SEE-6072	400	UL-SEEA-6072	400
5'0" x 7'0"	UL-SEE-6084	455	UL-SEEA-6084	455
5'0" x 8'0"	UL-SEE-6096	520	UL-SEEA-6096	520
5'6" x 4'0"	UL-SEE-6648	335	UL-SEEA-6648	335
5'6" x 5'0"	UL-SEE-6660	390	UL-SEEA-6660	390
5'6" x 6'0"	UL-SEE-6672	440	UL-SEEA-6672	440
5'6" x 7'0"	UL-SEE-6684	500	UL-SEEA-6684	500
5'6" x 8'0"	UL-SEE-6696	565	UL-SEEA-6696	565
6'0" x 4'0"	UL-SEE-7248	370	UL-SEEA-7248	370
6'0" x 5'0"	UL-SEE-7260	425	UL-SEEA-7260	425
6'0" x 6'0"	UL-SEE-7272	475	UL-SEEA-7272	475
6'0" x 7'0"	UL-SEE-7284	545	UL-SEEA-7284	545
6'0" x 8'0"	UL-SEE-7296	630	UL-SEEA-7296	630

HEAT & SMOKE VENTS

OPTIONS

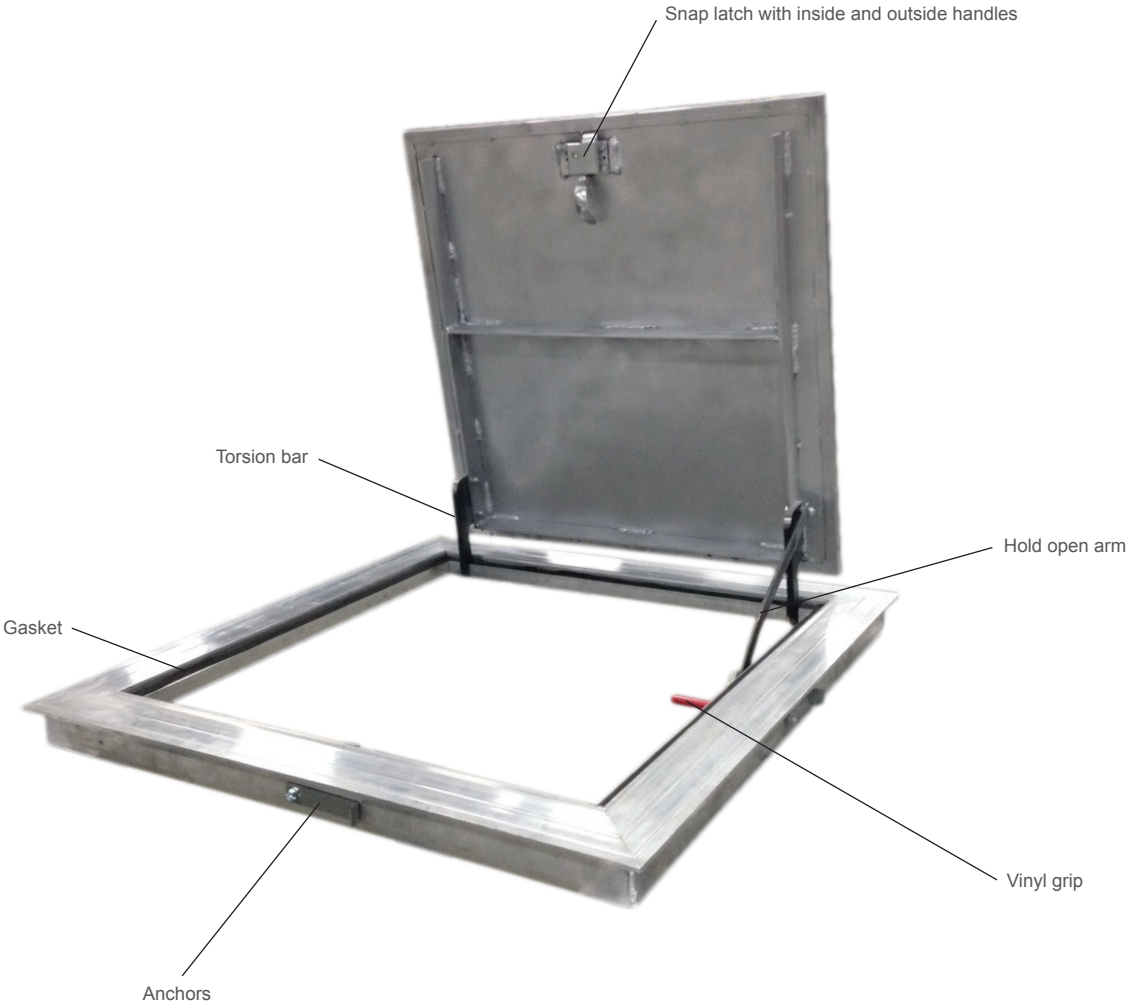
Smoke Vent Options

- Custom Sizes
- Burglar Bars
- Metal Roofs
- Stainless Steel Hardware
- Pitched
- Curb Heights
- Curb Liner
- Opening/Closing Options
 - Fusible Link
 - McCabe Link
 - Motorized
 - Manual Winch
 - Explosion Vent

* Some options void ratings

FLOOR & SIDEWALK DOORS

PRODUCT FEATURE



Features & Benefits

- Heavy-Duty Construction to meet required loads
- Both Secure and Non-Secure Options Available

FLOOR & SIDEWALK DOORS

NON-SECURITY ALUMINUM FLOOR DOORS - STYLES F, T & Z

SPECIFICATIONS

Material:

- F: 1/4" Aluminum tread plate and extruded aluminum frame
- T: 1/8" Aluminum plate and extruded aluminum frame
- Z: 1/8" Aluminum recessed plate and formed aluminum frame

Finish:

- o Mill Finish

Cover:

- F: Diamond patterned safety tread plate designed to support minimum of 200 psf live load
- T: 1/8" Smooth plate for floor tile to support minimum of 200 psf live load
- Z: Recessed smooth plate for terrazzo to support minimum of 200 psf live load

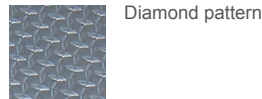
Frame:

- F & T: 1/8" Extruded aluminum frame w/ integral masonry anchors
- Z: 1/8" fully welded and mitered aluminum frame with welded masonry anchors

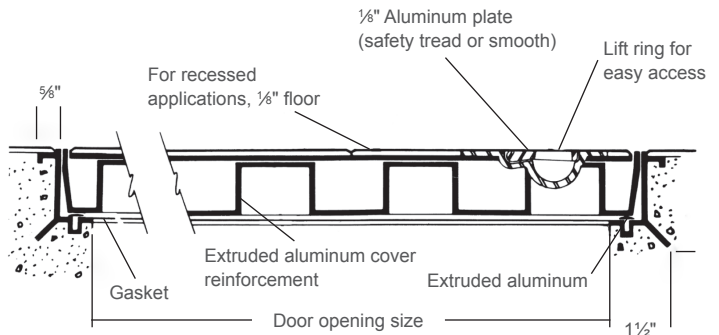
Gasket: 1/16" Neoprene gasket adhered to frame ledge

Handle: Lift Ring for easy access

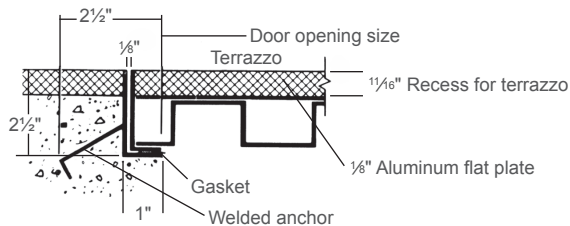
Hardware: Stainless steel



Flush Door Style (F Series)



Terrazzo Detail (Z Series)



Size	Flush Cover		Tile Cover		Terrazzo Cover	
	Model No.	Lbs.	Model No.	Lbs.	Model No.	Lbs.
2'0" x 2'0"	F-62	30	T-62	30	Z-62	40
2'6" x 2'6"	F-64	35	T-64	35	Z-64	45
3'0" x 2'6"	F-66	40	T-66	40	Z-66	50
3'0" x 3'0"	F-68	45	T-68	45	Z-68	55

FLOOR & SIDEWALK DOORS

SECURITY ALUMINUM FLOOR DOORS - STYLES F, T

SPECIFICATIONS

Material:

- F: 1/4" Aluminum Tread Plate and extruded aluminum frame
- T: 1/4" Aluminum Plate and extruded aluminum frame

Finish: Mill Finish

Cover:

- F: Diamond patterned safety tread plate designed to support 150 psf live load.
- T: 1/4" Recessed smooth cover with extruded tile stop for floor tile to support 150 psf live load

Frame: F & T: 1/4" Extruded aluminum frame with strap-type anchors bolted onto frame

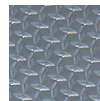
Gasket: 1/16" Neoprene gasket adhered to frame

Latch: Snap Latch

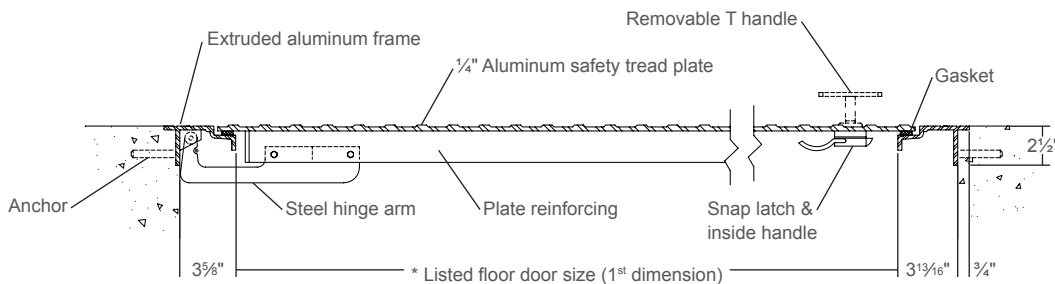
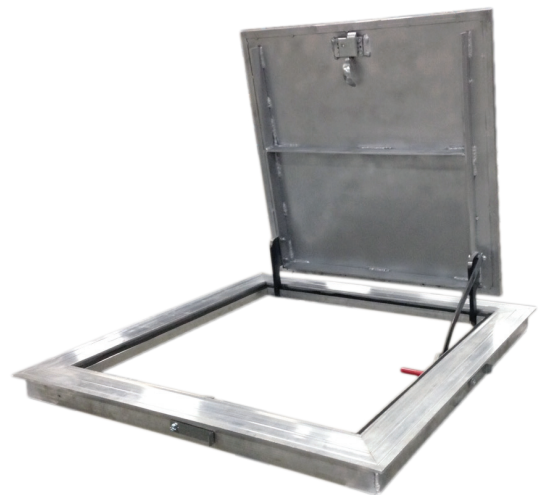
Handle: Inside handle and removable outside T handle

Lift Assistance: Torsion Bar

Hardware: Zinc plated (stainless steel optional)



Diamond pattern



No. of Leafs	Size	Flush Cover		Tile Cover	
		Model No.	Lbs.	Model No.	Lbs.
Single-Leaf	2'0" x 2'0"	F-2424	60	T-2424	66
	2'6" x 2'6"	F-3030	75	T-3030	85
	3'0" x 2'6"	F-3630	85	T-3630	95
	3'0" x 3'0"	F-3636	95	T-3636	106
Double-Leaf	4'0" x 4'0"	F-4848	160	T-4848	180
	4'0" x 6'0"	F-4872	220	T-4872	246
	5'0" x 5'0"	F-6060	230	T-6060	258

FLOOR & SIDEWALK DOORS

FLUSH COVER: SECURITY – STEEL OR ALUMINUM/STEEL STYLES FA AND FC

SPECIFICATIONS

Material:

- FA: 3/16" Steel Tread Plate and 1/4" steel angle frame
- FC: 1/4" Aluminum Tread Plate and 1/4" aluminum angle frame

Finish:

- FA: Grey Powder Coat
- FC: Mill Finish

Cover:

- FA: Steel Diamond patterned safety tread plate designed to support 150 psf live load.
- FC: Aluminum Diamond patterned safety tread plate designed to support 150 psf live load.

Frame:

- FA: 2" x 2" x 1/4" steel angle frame with welded concrete anchors
- FC: 2" x 2" x 1/4" aluminum angle frame with welded concrete anchors

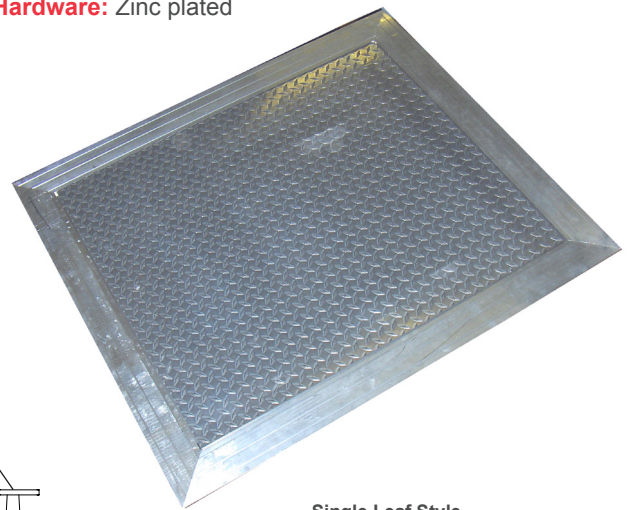
Latch:

- Single Leaf: Single Snap Latch
- Double Leaf: Two-point snap latch with throw bolt on inactive leaf

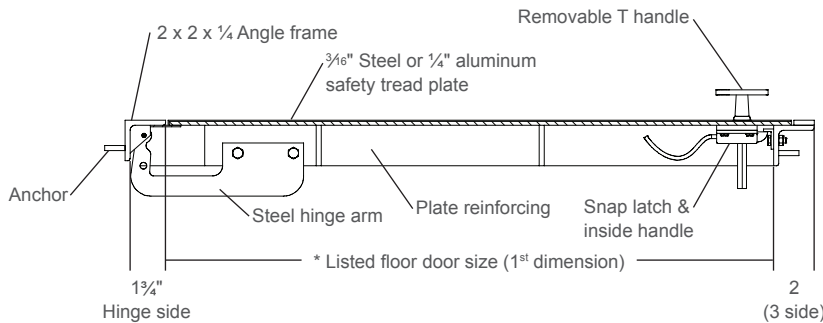
Handle: Inside handle and removable outside T handle

Lift Assistance: Torsion Bar

Hardware: Zinc plated



Single Leaf Style



No. of Leaves	Size	Steel, Prime Painted		Aluminum Cover/ Steel Frame	
		Model No.	Lbs.	Model No.	Lbs.
Single-Leaf	2'0" x 2'0"	FA-1	140	FC-1	120
	2'6" x 2'6"	FA-2	160	FC-2	140
	3'0" x 2'6"	FA-3	175	FC-3	150
	3'0" x 3'0"	FA-4	195	FC-4	160
	3'6" x 3'6"	-	-	FC-5	200
Double-Leaf	3'6" x 3'6"	FA-5	275	-	-
	2'10" x 3'4"	FA-6	240	FC-6	200
	3'4" x 3'10"	FA-7	300	FC-7	250
	3'10" x 3'10"	FA-8	340	FC-8	270
	4'0" x 4'0"	FA-9	350	FC-9	280
	4'0" x 6'0"	FA-10	440	FC-10	300
	5'0" x 5'0"	FA-11	450	FC-11	310

FLOOR & SIDEWALK DOORS

STEEL AND ALUMINUM - STYLES GA AND GD

SIDEWALK DOORS

SPECIFICATIONS

Material:

- GA: 1/4" Steel Tread Plate and 1/4" extruded aluminum frame
- GD: 1/4" Aluminum Tread Plate and 1/4" extruded aluminum frame

Finish:

- GA: Grey Powder Coat
- GD: Mill Finish

Cover:

- GA: Steel Diamond patterned safety tread plate designed to support 300 psf live load.
- GD: Aluminum Diamond patterned safety tread plate designed to support 300 psf live load.

Frame: GA & GD: 1/4" Extruded aluminum frame with integral masonry anchor. Frame construction contains drainage gutter around perimeter with 1 1/2" drain coupling to connect with interior drain

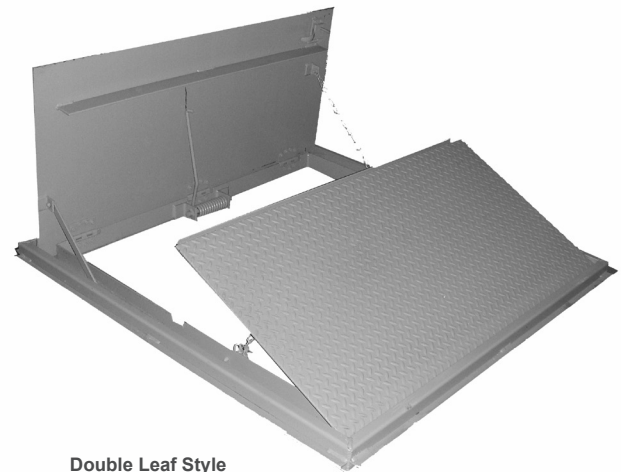
Latch:

- Single Leaf: Single Snap Latch
- Double Leaf: Two-point snap latch with throw bolt on inactive leaf

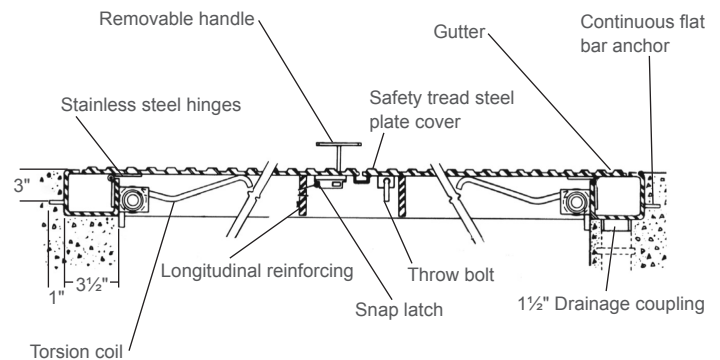
Handle: Inside handle and removable outside T handle

Lift Assistance: Torsion Coil

Hardware: Stainless steel



Double Leaf Style



For highly corrosive environments, zinc flame-sprayed and painted option is available for unit.

No. of Leaves	Size	Prime Painted Steel		Aluminum	
		Model No.	Lbs.	Model No.	Lbs.
Single-Leaf	2'0" x 2'0"	GA-1	170	GD-1*	75
	2'6" x 2'6"	GA-2	220	GD-2*	96
	3'0" x 2'6"	GA-3	257	GD-3	102
	3'0" x 3'0"	GA-4	286	GD-4	113
Double-Leaf	3'6" x 3'6"	GA-5	321	GD-5	134
	2'10" x 3'4"	GA-6	278	GD-6*	129
	3'4" x 3'10"	GA-7	348	GD-7*	150
	3'10" x 3'10"	GA-8	440	GD-8*	188
	4'0" x 4'0"	GA-9	482	GD-9*	198
	4'0" x 6'0"	GA-10	642	GD-10	268
	5'0" x 5'0"	GA-11	706	GD-11	27

*Torsion spring not provided on aluminum sidewalk doors in the following standard and special sizes: single leaf type- 2'0" x 2'0" through 4'6", 2'6" x 2'6", double leaf type- 2'10" x 3'4" through 5'6", 3'10" x 3'10" through 4'0" x 4'0".

FLOOR & SIDEWALK DOORS

OPTIONS

Floor & Sidewalk Door Options

- Custom Sizes
- Stainless Steel Hardware
- Zinc flame-sprayed for highly corrosive environments



- Contact your customer service representative or territory sales manager for pricing and availability.
- Free freight when your total spend is a minimum of \$2600.*

Thousands of HVAC products ready to ship.



Commercial Vent & Chimney



Vent:

Standard efficiency b-vent, high efficiency polypropylene, special gas vent for condensing, near-condensing, and non-condensing vent systems. Stock residential diameters and system components available in 3" – 14". Additional sizes available up to 30". Direct vent systems also available. Premium quality materials and designs backed by UL standards.

Chimney:

All fuel chimney systems for venting wood, coal, oil, or gas. Available in residential diameters 4" – 8". Additional sizes available up to 24". Pellet venting systems for gas, wood pellet, and bio-fuels. Stainless steel inner and outer materials. Variety of installer friendly components backed by UL standards.

Chimney Liner:

Aluminum and stainless steel. Lengths available up to 50'. Standard diameters available up to 8". Variety of installer friendly components backed by UL standards.



Grilles, Registers, & Diffusers

A full line for residential and commercial applications. Offered in steel, aluminum and plastic. Many sizes in stock for quick shipment.



Flexible Air Duct

Flexible air duct systems UL Greenguard Gold certified for residential and commercial applications. Complete line of R-4.2, R-6.0, and R-8.0 available in many outer jacket and core combinations from 3" - 24" diameters and 25' - 50' lengths. Flexible aluminum, duct, duct sleeves and uninsulated flex duct also available.



Interior Access Doors

Access Doors – High quality and affordable interior access doors for all types of requirements. In stock or custom.



Roof Top Products

New construction and retrofit drain systems, flashings, expansion joint covers, equipment rails and curbs, duct supports and pipe mounting pedestals. In stock, or made to order.



Duct Components

Components and accessories for the residential and commercial HVAC and sheet metal industries including flange, rail, corners, hangers & strapping, and duct access doors.



Offered by Hart & Cooley

Filters

A complete line of Multi-Pleat or Commercial & Industrial Disposable panel filters, available in fiberglass and polyester.



VAV Boxes

The SDV, single duct air terminal, features a primary inlet with an integral damper and a discharge plenum sized to fit standard Hart & Cooley hot water coils.

*Some restrictions may apply.



MILCOR®

Hart & Cooley, Inc.

5030 Corporate Exchange Blvd. SE
Grand Rapids, MI 49512

P (800) 624-8642

F (855) 549-2674



milcorinc.com



Additional Products Sold:

GRILLES | REGISTERS | DIFFUSERS | FLEXIBLE AIR DUCT | VAV BOXES | VENT | CHIMNEY
ACCESS DOORS | FILTERS | DUCT COMPONENTS | EXHAUST DUCTS | ROOFING PRODUCTS