



MILCOR

ACCESS DOORS
2014

WHERE HIGH EFFICIENCY IS THE STANDARD

EXPERIENCE

Milcor offers years of experience in the manufacture of a broad range of products and services for residential, commercial, institutional and industrial construction.

ENGINEERING

Each Milcor Access Door is engineered for specific application. Two principles guide the design of our products: Function - the door must provide the function desired. Installation - the door must be easy to install in the location (wall or ceiling) and on the type of surface, and must provide the desired finished installed appearance.

QUALITY

Milcor has a long-established reputation for quality construction of metal access doors. At Milcor, the tradition of quality continues with advanced manufacturing techniques and quality control procedures.

ON-TIME DELIVERY

From long experience, Milcor understands the importance of on-time delivery of building components to meet construction schedules. Our reputation has been built on delivering every order on-time and complete.

SELECTION

Milcor access doors provide critical service access in all types of wall and ceiling areas. Milcor sets the standard for the most diversified offering of access doors. Doors are offered in standard and special sizes to meet specific customer needs.

CUSTOMIZATION

Milcor access doors are sized to fit common framing dimensions for areas in which they are designed to be used. However, special sizes and modifications are available on request. Other than the Style ME, all access doors are powder coated gray, but have an option of a gold sand, jet black, or brilliant white painted finish.

PRODUCT CHANGES

Milcor reserves the right to change the design or details of its products without notice, as long as those changes do not affect the essential utility or function of the products.

WARRANTY

Milcor warrants for one year all goods sold to be free from defects in materials and workmanship, but limits our liability expressly to the replacement of goods not complying with this warranty; or, at our election, a credit to the buyer of the purchase price paid.

MILCOR

5030 Corporate Exchange Blvd. SE
Grand Rapids, MI 49512

P (800) 624-8642
F (855) 549-2674

© 2014 Hart & Cooley, Inc.

TABLE OF CONTENTS

Styles	Finish	Door Type	Application	Pg.
M	Powder Coated Steel	Flush Frame	All Ceilings & Walls	4
DW	Powder Coated Steel	Drywall Bead	Drywall Ceilings & Walls	5
K	Powder Coated Steel	Plaster Lathe	Plaster Ceilings & Walls	6
DWR	Powder Coated Steel	Recessed Drywall	Drywall Ceilings & Walls	7
AP	Powder Coated Steel	Recessed Plaster	Plaster Ceilings & Walls	8
ATR	Powder Coated Steel	Recessed Fire-Resistant	Suspended Drywall Ceilings	9
AT	Powder Coated Steel	Recessed	Acoustical Tile Ceilings	10
UFR	Powder Coated Steel	Insulated Fire Rated	All Ceilings & Walls	11
NIFR	Powder Coated Steel	Non-Insulated Fire Rated	Walls	12
UFR DW	Powder Coated Steel	Insulated Fire Rated w/ Drywall Bead	All Ceilings & Walls	13
CF/CT	Mill Finish Aluminum	Attic Access	Suspended Ceilings	14, 15
Security	Prime Painted Steel	High Security	Walls	16
Valve Boxes	Powder Coated Steel	Enclosed Box	Valve Enclosures	17
E	Bright White Enamel	Flush Frame	Drywall, Masonry or Tile Walls	18
Customized Doors				19
Lock Options				20

ARCHITECTURAL GRADE FLUSH DOOR - M

FOR DRYWALL, MASONRY OR TILE WALLS

Milcor M Access Doors provide critical service access in drywall, masonry or tile walls or ceilings and offer superior resistance to corrosion.

Specifications

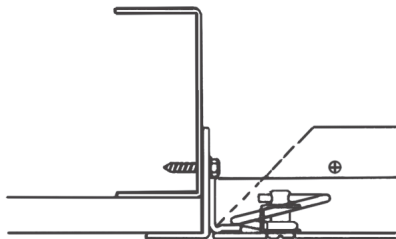
- **Material:** Attractive one-piece 16-gauge steel frame and door panel
- **Finishes:** Available in Powder Coated Gray, Galvanized, or Stainless Steel
- **Hinge:** Concealed Spring Hinges mounted to frame to allow 175 degree opening for complete access. Extracting pin from hinge leaf attached to panel permits panel removal.
- **Lock:** Screwdriver operated cam latch or Cylinder Lock furnished with two keys. Other custom options available upon request.
- **Optional Colors:** Brilliant White, Gold Sand and Jet Black



Masonry or Tile Wall Installation Detail



Drywall Installation Detail



Door Size* (Second Dim. Hinge Side)	Opening	Style MS	Style M	No. Cams	No. Hinges	Shipping
		Stainless	Steel			Wt.
		Model No.	Model No.			Lbs.
6" x 6"	6-1/4" x 6-1/4"	3202-1218-9	3202-008-9	1	1	3
8" x 8"	8-1/4" x 8-1/4"	3202-410-9	3202-010-9	1	1	5
8" x 12"	8-1/4" x 12-1/4"		3202-012-9	1	1	6
10" x 10"	10-1/4" x 10-1/4"	3202-412-9	3202-013-9	1	1	6
12" x 12"	12-1/4" x 12-1/4"	3202-414-9	3202-014-9	1	1	8
12" x 16"	12-1/4" x 16-1/4"	3202-1064-9	3202-016-9	1	2	10
12" x 18"	12-1/4" x 18-1/4"		3202-018-9	1	2	11
12" x 24"	12-1/4" x 24-1/4"	3202-1117-9	3202-019-9	2	2	13
14" x 14"	14-1/4" x 14-1/4"	3202-1032-9	3202-015-9	1	2	10
16" x 16"	16-1/4" x 16-1/4"	3202-420-9	3202-020-9	1	2	12
16" x 20"	16-1/4" x 20-1/4"	3202-1063-9	3202-022-9	1	2	14
18" x 18"	18-1/4" x 18-1/4"	3202-424-9	3202-024-9	1	2	13
18" x 24"	18-1/4" x 24-1/4"		3202-025-9	2	2	17
20" x 20"	20-1/4" x 20-1/4"	3202-1027-9	3202-027-9	2	2	16
20" x 24"	20-1/4" x 24-1/4"		3202-026-9	4 *	2	20
20" x 30"	20-1/4" x 30-1/4"	3202-1189-9	3202-028-9	5 *	3	24
22" x 22"	22-1/4" x 22-1/4"	3202-1077-9	3202-029-9	4 *	2	20
22" x 30"	22-1/4" x 30-1/4"		3202-031-9	4 *	3	24
22" x 36"	22-1/4" x 36-1/4"		3202-033-9	4 *	3	29
24" x 24"	24-1/4" x 24-1/4"	3202-430-9	3202-030-9	4 *	2	21
24" x 30"	24-1/4" x 30-1/4"	3202-1160-9	3202-032-9	5 *	3	26
24" x 36"	24-1/4" x 36-1/4"	3202-1116-9	3202-034-9	5 *	3	32
24" x 48"	24-1/4" x 48-1/4"	3202-1152-9	3202-035-9	5 *	5	41
30" X 30"	30-1/4" X 30-1/4"	3202-1038-9	3202-038-9	5 *	4	30
36" X 36"	36-1/4" X 36-1/4"	3202-1024-9	3202-046-9	5 *	5	42

*One cam latch centered at top and bottom of panel;
balance on side opposite hinges

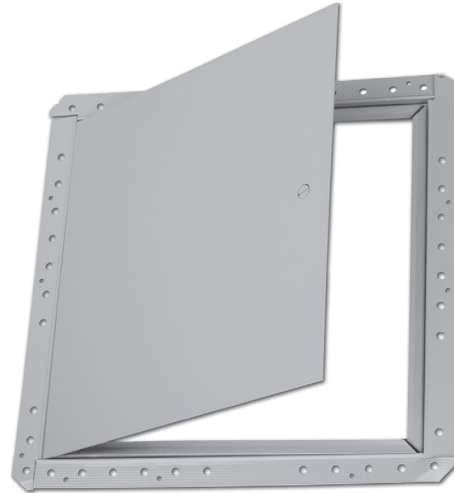
STANDARD FLUSH DOOR - DW

FOR DRYWALL CEILINGS OR WALLS

Milcor DW Access Doors provide critical service access in drywall ceilings or walls. Door style is flush with provision to conceal flange with drywall cement.

Specifications

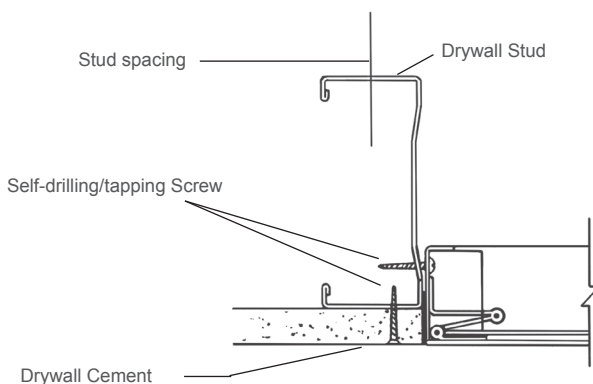
- **Material:** 16-gauge steel frame surrounded by a galvanized steel drywall bead. 14-gauge door panel
- **Finishes:** Available in Powder Coated Gray, Galvanized, or Stainless Steel
- **Hinge:** Concealed Spring Hinges mounted to frame to allow 175 degree opening for complete access. Extracting pin from hinge leaf attached to panel permits panel removal.
- **Lock:** Screwdriver operated cam latch or Cylinder Lock furnished with two keys. Other custom options available upon request.
- **Optional Colors:** Brilliant White, Gold Sand and Jet Black



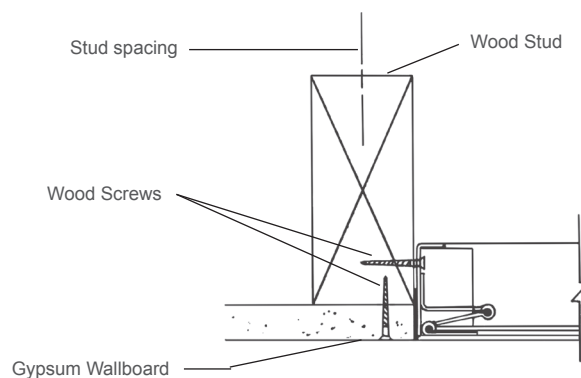
Stud Spacing	Door Size*	Opening	Model No.	No. Cams	No. Hinges	Shipping Wt. Lbs.
	8" x 8"	8½" x 8½"	3203-008-9	1	1	4
12" OC	10" x 10"	10½" x 10½"	3203-010-9	1	1	5
	12" x 12"	12½" x 12½"	3203-012-9	1	1	6
16" OC	14" x 14"	14½" x 14½"	3203-014-9	1	2	9
	16" x 16"	16½" x 16½"	3203-016-9	1	2	10
	18" x 18"	18½" x 18½"	3203-017-9	1	2	12
24" OC	22" x 22"	22½" x 22½"	3203-018-9	4*	2	17
26" OC	24" x 24"	24½" x 24½"	3203-019-9	4*	2	19
	24" x 36"	24½" x 36½"	3203-036-9	5*	3	28

*One cam latch centered at top and bottom of panel; balance of cam locks on side opposite hinge.

Steel Stud Installation Detail



Wood Stud Installation Detail



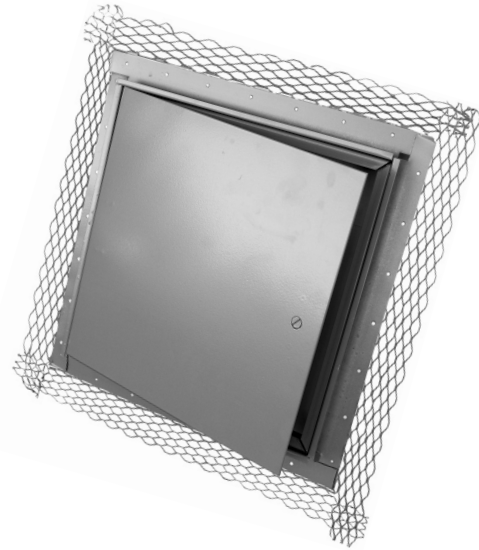
STANDARD FLUSH DOOR - K

FOR PLASTER WALLS OR CEILINGS

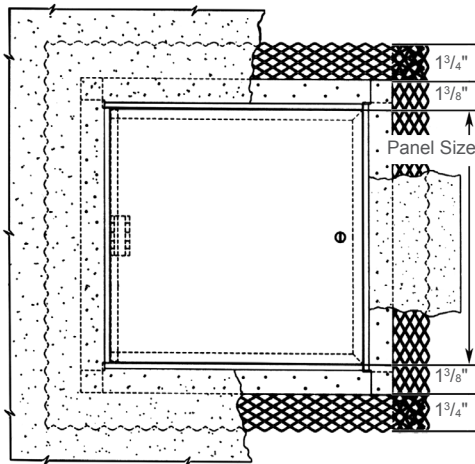
Milcor K Access Doors provide critical service access in plaster walls or ceilings.

Specifications

- **Material:** 16-gauge steel frame with 14-gauge door panel and 22-gauge expanded metal casing bead.
- **Finishes:** Available in Powder Coated Gray, Galvanized, or Stainless Steel
- **Hinge:** Concealed Spring Hinges mounted to frame to allow 175 degree opening for complete access. Extracting pin from hinge leaf attached to panel permits panel removal.
- **Lock:** Screwdriver operated cam latch or Cylinder Lock furnished with two keys. Other custom options available upon request.
- **Optional Colors:** Brilliant White, Gold Sand and Jet Black



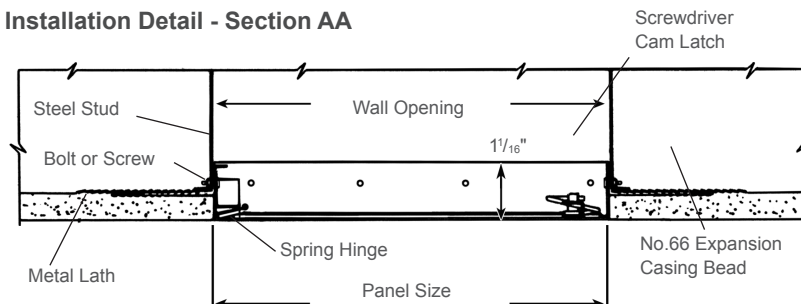
Installation Detail - Elevation



Door Size*	Opening	Model No.	No. Cams	No. Hinges	Shipping Wt. Lbs.
8" x 8"	8-1/4" x 8-1/4"	3200-010-9	1	1	4
8" x 12"	8-1/4" x 12-1/4"	3200-012-9	1	1	6
12" x 12"	12-1/4" x 12-1/4"	3200-014-9	1	1	7
12" x 16"	12-1/4" x 16-1/4"	3200-016-9	1	2	9
12" x 18"	12-1/4" x 18-1/4"	3200-018-9	1	2	10
12" x 24"	12-1/4" x 24-1/4"	3200-019-9	2	2	12
16" x 16"	16-1/4" x 16-1/4"	3200-020-9	1	2	11
16" x 20"	16-1/4" x 20-1/4"	3200-022-9	1	2	13
18" x 18"	18-1/4" x 18-1/4"	3200-024-9	1	2	12
20" x 24"	20-1/4" x 24-1/4"	3200-026-9	4 *	2	17
20" x 30"	20-1/4" x 30-1/4"	3200-028-9	5 *	3	21
24" x 24"	24-1/4" x 24-1/4"	3200-030-9	4 *	2	20
24" x 30"	24-1/4" x 30-1/4"	3200-032-9	5 *	3	24
24" x 36"	24-1/4" x 36-1/4"	3200-034-9	5 *	3	28
30" X 30"	30-1/4" X 30-1/4"	3200-035-9	5 *	4	30
36" X 36"	36-1/4" X 36-1/4"	3200-036-9	5 *	5	36

*Cam latch centered at top and bottom panel; balance of cam locks on side opposite hinges.

Installation Detail - Section AA



RECESSED DOOR - DWR

FOR DRYWALL CEILINGS OR WALLS

Milcor DWR Access Doors provide critical access in dry-wall ceilings or walls while concealing installation in drywall where sound absorption or clean appearance is required. 5/8" recessed door is filled with matching material leaving only the narrow frame edges exposed.

Specifications

- **Material:** 16-gauge galvanized steel frame with drywall bead. 16-gauge galvanized steel door panel for installation of a drywall panel.
- **Finishes:** Available in Powder Coated Gray
- **Hinge:** Concealed pivot rod
- **Lock:** Screwdriver operated cam latch or Cylinder Lock furnished with two keys. Plastic grommet is furnished to protect the hole made in drywall for access to lock. Other custom options available upon request.



Door Size* (2nd Dim. Hinge Side)	Opening	Model No.	No. Cams	Shipping Wt. Lbs.
12" x 12"	12½" x 12½"	3207-014-9	1	9
12" x 24"	12½" x 24½"	3207-019-9	2	15
18" x 18"	18½" x 18½"	3207-024-9	2	15
24" x 24"	24½" x 24½"	3207-030-9	2	14
24" x 36"	24½" x 36½"	3207-034-9	3	32
36" x 36"	36½" x 36½"	3207-046-9	5*	41
36" x 42"	36½" x 42½"	3207-048-9	5*	41

*One cam latch centered at top and bottom of panel; balance on side opposite hinges

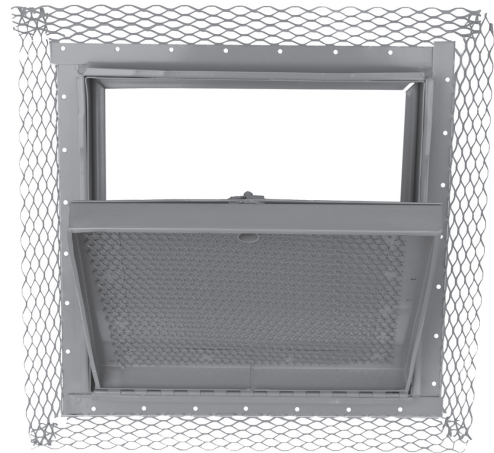
RECESSED DOOR - AP

FOR ACOUSTICAL PLASTER CEILINGS

Milcor AP Access Doors provide critical access in acoustical plaster ceilings while concealing installation in plaster ceilings where sound absorption or clean appearance is required, leaving only the narrow frame edges exposed.

Specifications

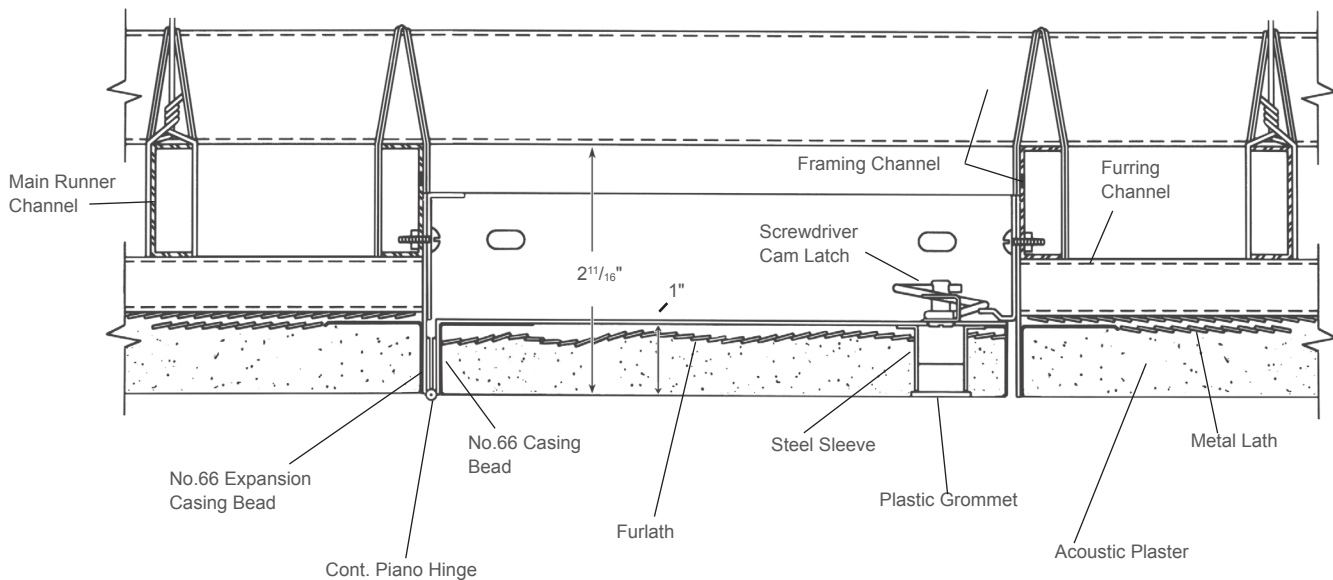
- **Material:** 16-gauge galvanized steel frame with plaster lathe. 18-gauge galvanized steel door panel with expanded metal casing bead.
- **Finishes:** Powder Coated Gray
- **Hinge:** Continuous Piano Hinge with stainless steel pin
- **Lock:** Screwdriver operated cam latch or Cylinder Lock furnished with two keys. Plastic grommet is furnished to protect the hole made in wallboard for access to lock. Other custom options available upon request.



Door Size*	Opening	Model No.	No. Cams	Shipping Wt. Lbs.
12" x 12"	12¼" x 12¼"	3206-014-9	1	9
12" x 24"	12¼" x 24¼"	3206-019-9	2	15
18" x 18"	18¼" x 18¼"	3206-024-9	2	15
24" x 24"	24¼" x 24¼"	3206-030-9	2	14
24" x 36"	24¼" x 36¼"	3206-034-9	3*	32
36" X 36"	36¼" X 36¼"	3206-046-9	5*	41

*One cam latch centered at top and bottom of panel; balance on side opposite hinges

Installation Detail



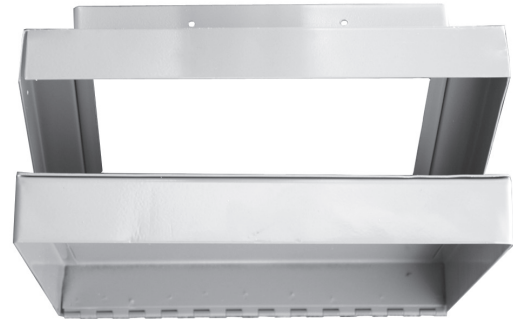
RECESSED FIRE RESISTIVE ACOUSTICAL TILE - ATR

FOR SUSPENDED CEILINGS

Milcor ATR Access Doors for suspended drywall ceilings provide service access that fits within ceiling grid support system. 1 1/2" recessed door is filled with matching materials and finished flush with the surrounding ceiling surface leaving the installed unit virtually concealed.

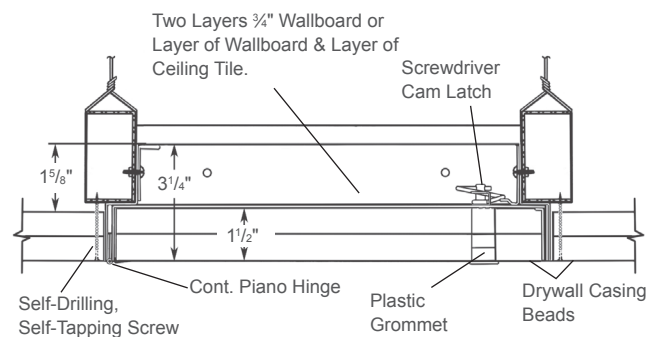
Specifications

- *Material:* 16-gauge galvanized steel frame with 18-gauge recessed steel door panel
- *Finishes:* Powder Coated Gray
- *Hinge:* Continuous Piano Hinge with stainless steel pin
- *Lock:* Screwdriver operated cam latch. Plastic grommet is furnished to protect the hole made in wallboard for access to cam latch.



Door Size*	Ceiling Opening	Model No.	No. Cams	Shipping Wt. Lbs.
12" x 12"	10-1/2" x 10-1/2"	3204-012-9	1	8
12" x 24"	10-1/2" x 22-1/2"	3204-014-9	2	11
18" x 18"	16-1/2" x 16-1/2"	3204-018-9	2	14
24" X 24"	22-1/2" X 22-1/2"	3204-024-9	2	20
24" X 36"	22-1/2" X 34-1/2"	3204-036-9	3	28

Channel Suspension Installation Detail



RECESSED ACOUSTICAL TILE - AT

FOR SUSPENDED CEILINGS

Milcor AT Access Doors for acoustical tile ceilings provide a virtually concealed installation. 1" Recessed door panels receive a covering of acoustical tile, leaving only the narrow frame edges exposed to keep acoustical surfaces intact and contribute to sound control and appearance.

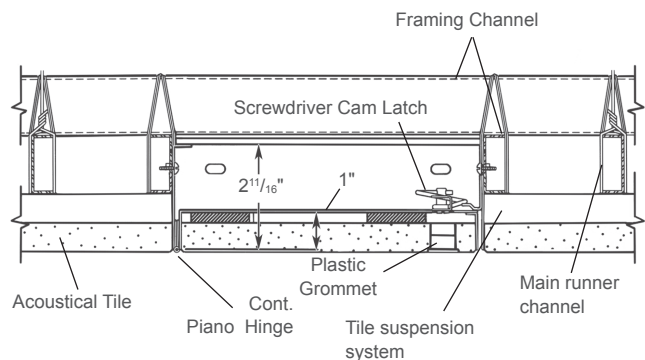
Specifications

- **Material:** 16-gauge galvanized steel frame with 18-gauge steel door panel
- **Finishes:** Powder Coated Gray
- **Hinge:** Continuous Piano Hinge with stainless steel pin
- **Lock:** Screwdriver operated cam latch or Cylinder Lock furnished with two keys. Plastic grommet is furnished to protect the hole made in wallboard for access to lock. Other custom options available upon request.



Door Size*	Ceiling Opening	Model No.	No. Cams	Shipping Wt. Lbs.
12" x 12"	12¼" x 12¼"	3205-014-9	1	7
12" x 24"	12¼" x 24¼"	3205-019-9	2	12
18" x 18"	18¼" x 18¼"	3205-024-9	2	11
24" x 24"	24¼" x 24¼"	3205-030-9	2	19
24" x 36"	24¼" x 36¼"	3205-034-9	3	26
36" X 36"	36-1/4" X 36-1/4"	3205-046-9	5	37

Installation Detail



UNIVERSAL FIRE-RATED ACCESS DOORS - UFR

FOR WALLS AND CEILINGS

The Milcor Universal Fire-Rated Door may be specified with confidence for service access in drywall, masonry or tile walls or ceilings where fire ratings are stipulated by code requirements.

Specifications

- **Fire Rated:** Carries both UL and CUL 1 ½ hour, Class B fire rating, as well as the Warnock Hersey Label for three-hour noncombustible floor/ceiling systems.
- **Certified:** 250 degree temperature rise protection
- **Material:** 16-guage frame with 20-guage sandwich-type insulated door panel
- **Insulation:** 2" mineral fiber
- **Finishes:** Powder Coated Gray or Stainless Steel
- **Hinge:** Continuous Piano Hinge with stainless steel pin
- **Lock:** Self-latching paddle latch and locking system with key operated cylinder lock furnished with two keys and interior release mechanism. Other custom options available upon request.
- **Optional Colors:** Brilliant White, Gold Sand and Jet Black



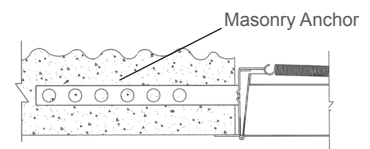
Door Size**	Opening	Model No.	No. Cams	Masonry Anchors	Shipping Wt. Lbs.
8" x 8" * †	8½" x 8½"	3218-010-9	1	4	8
12" x 12"	12½" x 12½"	3218-012-9	1	4	10
12" x 24"	12½" x 24½"	3218-020-9	1	4	20
14" x 14"	14½" x 14½"	3218-014-9	1	4	16
16" x 16"	16½" x 16½"	3218-016-9	1	4	13
18" x 18"	18½" x 18½"	3218-018-9	1	4	17
22" x 30"	22½" x 30½"	3218-022-9	1	4	38
22" x 36"	22½" x 36½"	3218-027-9	1	4	43
24" x 24"	24½" x 24½"	3218-024-9	1	4	27
24" x 30"	24½" x 30½"	3218-023-9	1	4	41
24" x 36"	24½" x 36½"	3218-028-9	1	4	44
24" x 48" *	24½" x 48½"	3218-031-9	2	6	54
30" x 30" *	30½" x 30½"	3218-030-9	1	4	45
32" x 32" *	32½" x 32½"	3218-032-9	1	4	48
36" x 36" *	36½" x 36½"	3218-036-9	1	4	51
36" x 48" *	36½" x 48½"	3218-038-9	2	6	76
48" x 48" *	48½" x 48½"	3218-048-9	2	8	95

†Not available with Mortise cylinder

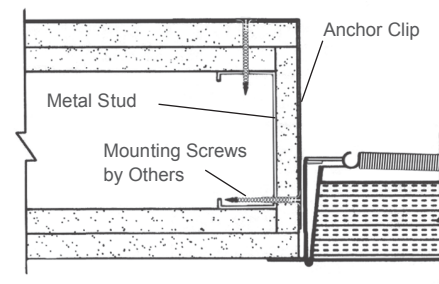
*Wall rating only

Note: Stainless steel not available with Mortise cylinder

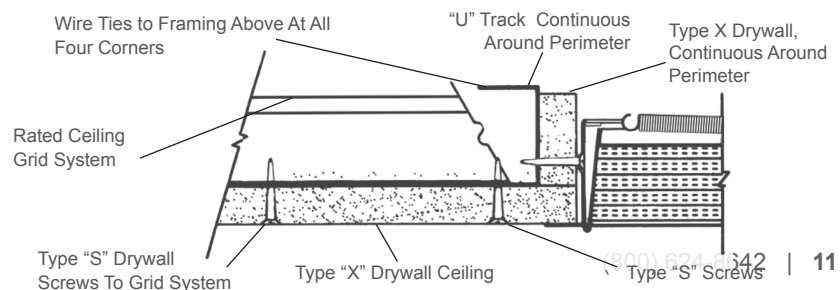
Masonry Wall Installation Details



Drywall Installation Details



Ceiling Installation Details



NON-INSULATED FIRE-RATED DOORS - NIFR

FOR WALLS ONLY

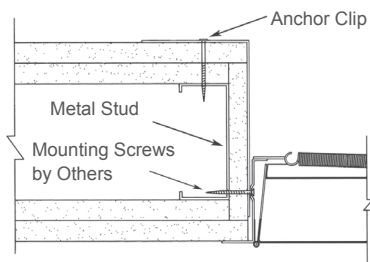
The Milcor Non-Insulated Fire-Rated Door may be specified with confidence for service access in drywall, masonry or tile walls where fire ratings are stipulated by code requirements.

Specifications

- **Fire Rated:** Carries both UL and CUL 1 ½ hour, Class B fire rating. Rating is maintained for a 2-hour wall, in stalled where temperature rise is not a factor. This door is designed for wall application only.
- **Material:** 16-gauge frame with 20-gauge door panel
- **Finishes:** Powder Coated Gray or Stainless Steel
- **Hinge:** Continuous Piano Hinge with stainless steel pin
- **Lock:** Self-latching paddle latch and locking system with key operated cylinder lock furnished with two keys and interior release mechanism. Other custom options available upon request.
- **Optional Colors:** Brilliant White, Gold Sand and Jet Black



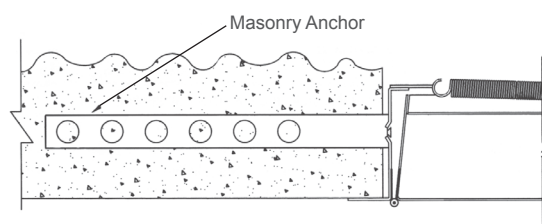
Drywall Installation Details



Door Size	Opening	Model No.	No. Cams	Masonry Anchors	Shipping Wt. Lbs.
8" x 8"	8½" x 8½"	3219-008-9	1	4	7
12" x 12"	12½" x 12½"	3219-012-9	1	4	11
14" x 14"	14½" x 14½"	3219-014-9	1	4	13
16" x 16"	16½" x 16½"	3219-016-9	1	4	15
18" x 18"	18½" x 18½"	3219-018-9	1	4	18
24" x 24"	24½" x 24½"	3219-024-9	1	4	28
22" x 30"	22½" x 30½"	3219-023-9	1	4	29
22" x 36"	22½" x 36½"	3219-027-9	1	4	35

Note: Stainless steel not available with Mortise cylinder

Masonry Wall Installation Details



FIRE RATED ACCESS DOOR - UFR DW

FOR WALLS AND CEILINGS

The Milcor Sandwich-type Fire-Rated Door may be specified with confidence for service access in drywall walls or ceilings where fire ratings are stipulated by code requirements. Door style is flush with provision to conceal flange with drywall cement.

Specifications

- **Fire Rated:** Carries both UL and CUL 1 ½ hour, Class B fire rating, as well as the Warnock Hersey Label for three-hour noncombustible floor/ceiling systems.
- **Certified:** 250 degree temperature rise protection
- **Material:** 16-gauge steel frame surrounded by a galvanized steel drywall bead. 20-gauge door panel
- **Insulation:** 2" mineral fiber
- **Finishes:** Powder Coated Gray or Stainless Steel
- **Hinge:** Continuous Piano Hinge with stainless steel pin
- **Lock:** Self-latching paddle latch and locking system with key operated cylinder lock furnished with two keys and interior release mechanism. Other custom options available upon request.
- **Optional Colors:** Brilliant White, Gold Sand and Jet Black



Door Size**	Opening	Model No.	No. Cams	Masonry Anchors	Shipping Wt. Lbs.
8" x 8" * †	8½" x 8½"	3217-010-9	1	4	8
12" x 12"	12½" x 12½"	3217-012-9	1	4	12
12" x 24"	12½" x 24½"	3217-020-9	1	4	19
14" x 14"	14½" x 14½"	3217-014-9	1	4	15
16" x 16"	16½" x 16½"	3217-016-9	1	4	17
18" x 18"	18½" x 18½"	3217-018-9	1	4	21
22" x 30"	22½" x 30½"	3218-022-9	1	4	35
22" x 36"	22½" x 36½"	3217-027-9	1	4	40
24" x 24"	24½" x 24½"	3217-024-9	1	4	32
24" x 30"	24½" x 30½"	3217-023-9	1	4	38
24" x 36"	24½" x 36½"	3217-028-9	1	4	42
24" x 48" *	24½" x 48½"	3217-031-9	2	6	50
30" x 30" *	30½" x 30½"	3217-030-9	1	4	42
32" x 32" *	32½" x 32½"	3217-032-9	1	4	45
36" x 36" *	36½" x 36½"	3217-036-9	1	4	47
36" x 48" *	36½" x 48½"	3217-038-9	2	6	70
48" x 48" *	48½" x 48½"	3217-048-9	2	8	88

†Not available with Mortise cylinder

*Wall rating only

Note: Stainless steel not available with Mortise cylinder

FLUSH ALUMINUM DOOR - CF

FOR SUSPENDED CEILINGS

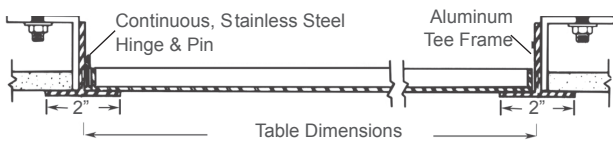
Milcor CF Flush style aluminum ceiling access doors provide convenient access to services or controls in ceilings. Units are installed by bolting the hanger brackets to hanger rods furnished and installed by the contractor. Upward Swing and Downward Swing options available.

Specifications

- **Material:** 1/4" extruded aluminum frame and 1/8" aluminum plate door panel
- **Finishes:** Mill Finish Aluminum
- **Hinge:** Stainless Steel Continuous Hinge
- **Lock:** For downward swing model only, covers have an automatic snap latch with removable outside handle.



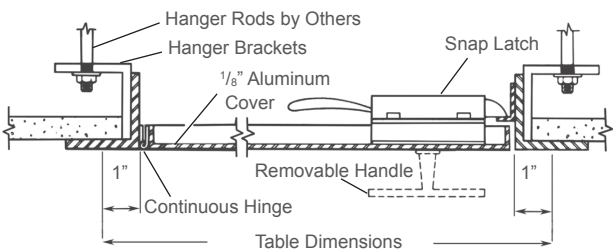
Upward Swing Installation Details



Upward Swing

Leaf Type	Style	Dimensions (Center-to-center of angles or tees)	Model No.	Shipping Wt. Lbs.
Single	CF-1 US	2'6" x 2'6"	3520-201-9	35
Single	CF-2 US	2'6" x 3'0"	3520-204-9	40
Double	CF-3 US	2'6" x 2'6"	3520-207-9	45

Downward Swing Installation Details



Downward Swing

Leaf Type	Style	Dimensions (Center-to-center of angles or tees)	Model No.	Shipping Wt. Lbs.
Single	CF-1 DS	2'6" x 2'6"	3520-417-9	35
Single	CF-2 DS	2'6" x 3'0"	3520-420-9	40
Double	CF-3 DS	2'6" x 2'6"	3520-425-9	45

RECESSED ALUMINUM DOOR - CT

FOR SUSPENDED CEILINGS

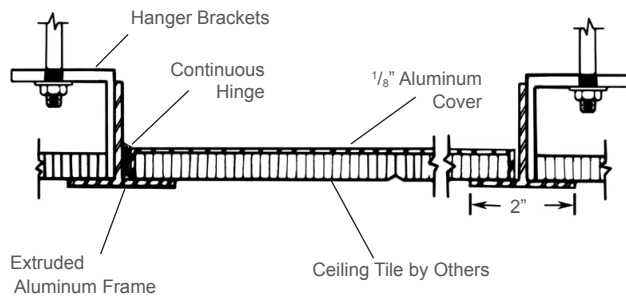
Milcor CT recessed aluminum ceiling access doors, designed for uses in suspended tile ceilings, provide convenient access to services or controls located in ceilings. Units are installed by bolting the hanger brackets to hanger rods furnished and installed by the contractor. The cover is recessed to accept $\frac{3}{4}$ " ceiling tile, with the frame flange serving as a support ledge for the tile.

Specifications

- **Material:** $\frac{1}{4}$ " extruded aluminum frame and $\frac{1}{8}$ " aluminum plate door panel
- **Finishes:** Mill Finish Aluminum
- **Hinge:** Stainless Steel Continuous Hinge
- **Lock:** For downward swing model only, covers have an automatic snap latch with removable outside handle.



Installation Details



Upward Swing

Leaf Type	Style	Dimensions (Center-to-center of angles or tees)	Model No.	Shipping Wt. Lbs.
Single	CT-1 US	2'6" x 2'6"	3520-101-9	35
Single	CT-2 US	2'6" x 3'0"	3520-104-9	40
Double	CT-3 US	2'6" x 2'6"	3520-107-9	45

Downward Swing

Leaf Type	Style	Dimensions (Center-to-center of angles or tees)	Model No.	Shipping Wt. Lbs.
Single	CT-1 DS	2'6" x 2'6"	3520-317-9	35
Single	CT-2 DS	2'6" x 3'0"	3520-320-9	40
Double	CT-3 DS	2'6" x 2'6"	3520-325-9	45

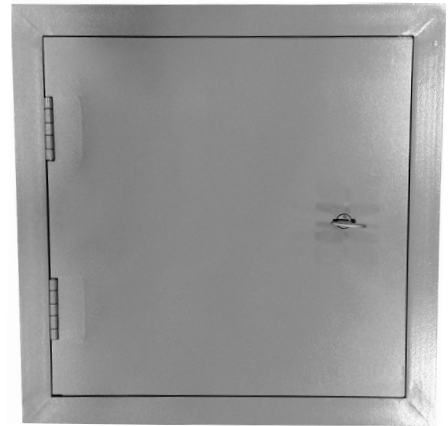
SECURITY OR DETENTION DOORS

FOR WALLS OR CEILINGS

Milcor Security or Detention access doors provide critical secure service access in wall and ceiling applications. Special stainless steel hinge prevents removal of hinge.

Specifications

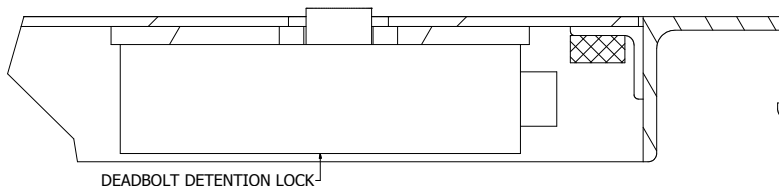
- **Material:** 3/16" x 2" x 2" frame angle, welded with joints ground smooth. 10-gauge steel door panel
- **Finishes:** Prime Painted Steel
- **Hinge:** Heavy duty stainless steel, welded to door and frame
- **Lock:** Detention-type deadbolt lock and/or tamper-resistant screws



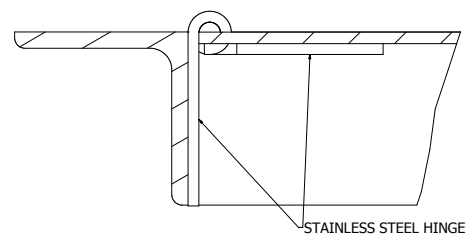
Size	Outside Frame Dim.	Wall Opening	No. of Masonry Anchors	No. of Hinges	With Detention Lock*		With Tamper-Resistant Screws**	
					Model No.	Shipping Wt. Lbs.	Model No.	Shipping Wt. Lbs.
12" x 12"	16" x 16"	12¾" x 12¾"	4	2	3211-114	30	3211-214	26
12" x 24"	16" x 28"	12¾" x 24¾"	4	2	3211-119	42	3211-219	38
16" x 16"	20" x 20"	16¾" x 16¾"	4	2	3211-120	39	3211-220	35
18" x 18"	22" x 22"	18¾" x 18¾"	4	2	3211-124	44	3211-224	40
18" x 24"	22" x 28"	18¾" x 24¾"	4	2	3211-125	52	3211-225	48
24" x 24"	28" x 28"	24¾" x 24¾"	4	2	3211-130	61	3211-230	57
24" x 30"	28" x 34"	24¾" x 30¾"	4	2	3211-132	70	3211-232	66
24" x 36"	28" x 40"	24¾" x 36¾"	8	2	3211-134	79	3211-234	75
24" x 48"	28" x 52"	24¾" x 48¾"	8	3	3211-135	97	3211-235	93
30" x 30"	34" x 34"	30¾" x 30¾"	4	2	3211-138	80	3211-238	76
36" x 24"	40" x 28"	36¾" x 24¾"	4	2	3211-140	79	3211-240	75
36" x 36"	40" x 40"	36¾" x 36¾"	8	2	3211-146	102	3211-246	98
36" x 40"	40" x 44"	36¾" x 40¾"	8	2	3211-148	111	3211-248	107
36" x 48"	40" x 52"	36¾" x 48¾"	8	3	3211-150	127	3211-250	123

Note: Keys for detention locks and tamper resistant torx driver are sold separately

Detention Lock Details



Hinge Details



VALVE BOX

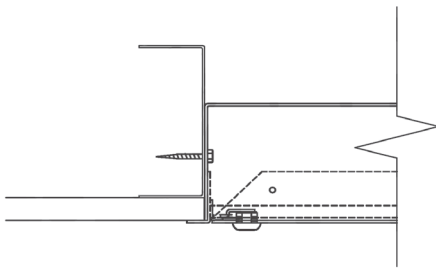
Milcor Versatile Valve Boxes provide critical service access to valves in drywall, masonry or tile walls and offer superior resistance to corrosion. The fully enclosed box keeps valves clean and clear from excess materials within the wall cavity.

Specifications

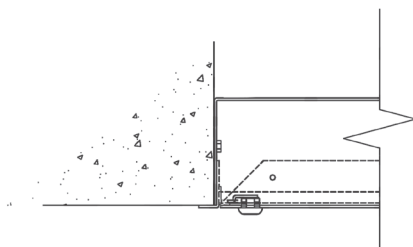
- *Material:* 16-gauge Steel
- *Finishes:* Powder Coated Steel or Stainless Steel
- *Hinge:* Continuous Piano Hinge with a stainless steel pin
- *Lock:* Cylinder Lock with two keys furnished.
Other custom options available upon request.
- *Optional Colors:* Brilliant White, Gold Sand and Jet Black



Drywall Installation Detail



Masonry or Tile Wall Installation Detail



Door Size	Opening	Depth	Model No. Steel	Model No. Stainless	No. Cylinder Locks	Shipping Wt. Each (lbs)
8"x8"	8 $\frac{1}{8}$ " x 8 $\frac{1}{8}$ "	4"	3601-008-4	3602-008-4	1	11
	8 $\frac{1}{8}$ " x 8 $\frac{1}{8}$ "	6"	3601-008-6	3602-008-6	1	13
	8 $\frac{1}{8}$ " x 8 $\frac{1}{8}$ "	8"	3601-008-8	3602-008-8	1	15
12"x12"	12 $\frac{1}{8}$ " x 12 $\frac{1}{8}$ "	4"	3601-012-4	3602-012-4	1	14
	12 $\frac{1}{8}$ " x 12 $\frac{1}{8}$ "	6"	3601-012-6	3602-012-6	1	16
	12 $\frac{1}{8}$ " x 12 $\frac{1}{8}$ "	8"	3601-012-8	3602-012-8	1	18
14"x14"	14 $\frac{1}{8}$ " x 14 $\frac{1}{8}$ "	4"	3601-014-4	3602-014-4	1	20
	14 $\frac{1}{8}$ " x 14 $\frac{1}{8}$ "	6"	3601-014-6	3602-014-6	1	23
	14 $\frac{1}{8}$ " x 14 $\frac{1}{8}$ "	8"	3601-014-8	3602-014-8	1	27
16"x16"	16 $\frac{1}{8}$ " x 16 $\frac{1}{8}$ "	4"	3601-016-4	3602-016-4	1	23
	16 $\frac{1}{8}$ " x 16 $\frac{1}{8}$ "	6"	3601-016-6	3602-016-6	1	26
	16 $\frac{1}{8}$ " x 16 $\frac{1}{8}$ "	8"	3601-016-8	3602-016-8	1	30

ECONOMICAL FLUSH DOOR - E

FOR DRYWALL, MASONRY OR TILE WALLS

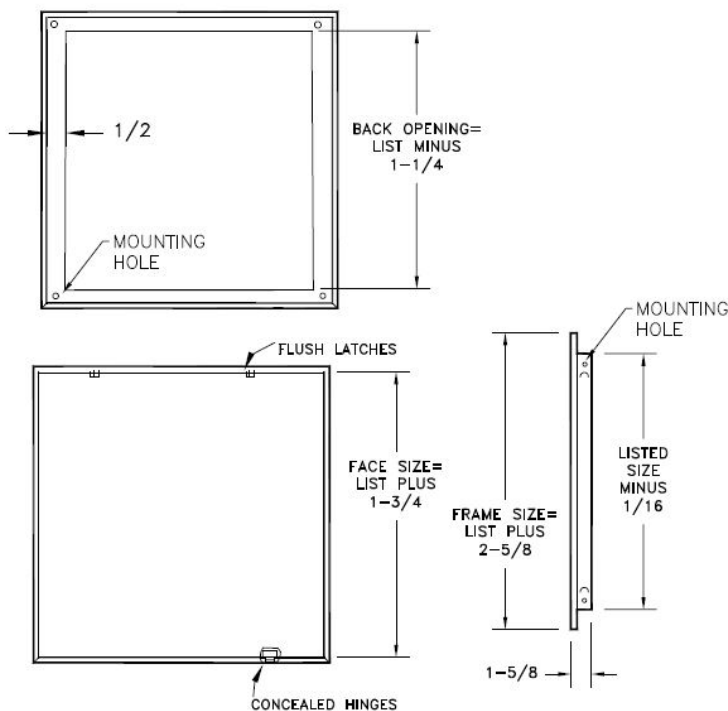
Milcor E Access Doors provide critical service access in drywall, masonry or tile walls or ceilings

Specifications

- **Material:** 24-gauge steel frame and 22-gauge removable door panel
- **Finishes:** Bright White Enamel
- **Hinge:** Concealed hinge
- **Lock:** Concealed Latches



Size	Model No.	No. Cams	Shipping Wt. Lbs.
6" x 6"	3213-006-9	1	1.5
8" x 8"	3213-008-9	2	2
10" x 10"	3213-010-9	2	3
12" x 12"	3213-012-9	2	3.5
14" x 14"	3213-014-9	2	4
16" x 16"	3213-016-9	2	5
18" x 18"	3213-018-9	2	6
24" x 24"	3213-024-9	2	9.5



CUSTOMIZED DOORS

FOR SPECIAL

Milcor access doors can be customized if the standard doors do not adequately fit your parameters. Sometimes a simple sizing change is all that is needed, but many applications require a unique design to solve special access needs.

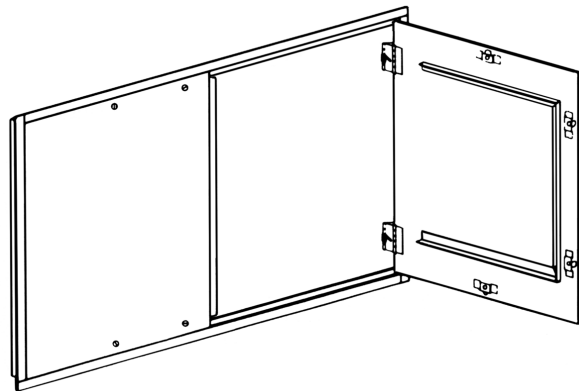
Whenever you have a special condition to meet, Milcor engineers will be pleased to review your requirements and work with you on the design and manufacture, in any quantity, of your access door.

Not only can we furnish custom-modified access doors to accommodate non-standard dimensional requirements and special features, we can also develop doors with unique shapes, finishes, load capabilities or performance standards.

Two examples of custom doors Milcor has produced are shown to the right.

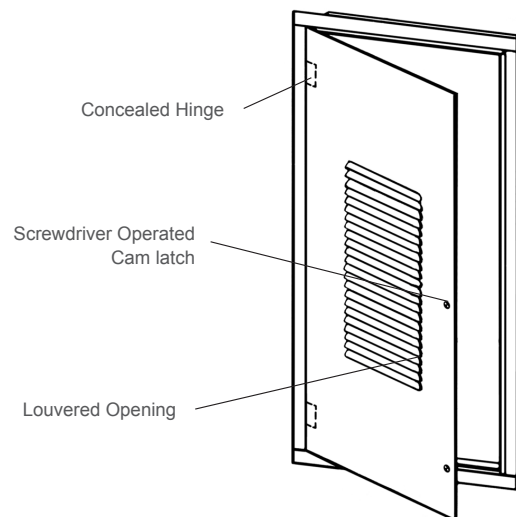
Double- Leaf

Double-leaf access door provides an extra-wide opening.



Louvered

Milcor M access door with louver does double duty as an air intake and access to heating/air conditioning unit.



LOCK OPTIONS



Cylinder Lock



Cylinder Lock for Recessed Door



Knurled Knob Cam Latch



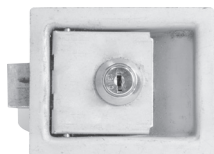
Mortise Cylinder Lock with Core
(also available with dummy core)



Allen Head Cam Latch



Screwdriver Cam Latch



Paddle Latch with Cylinder Lock



MILCOR

5030 Corporate Exchange Blvd. SE
Grand Rapids, MI 49512

P (800) 624-8642
F (855) 549-2674