

F-DRILLING
F-TAPPING
REW

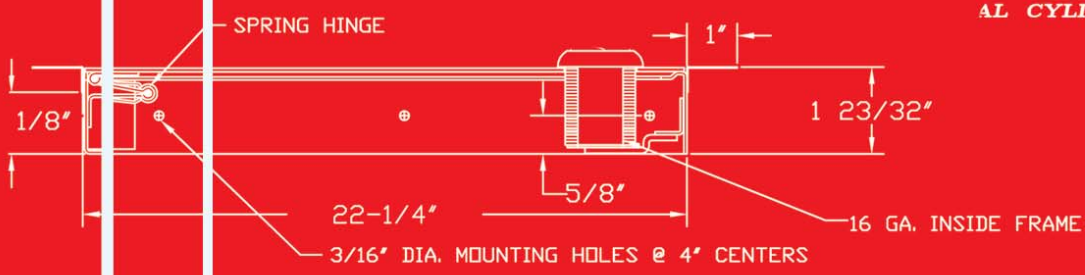
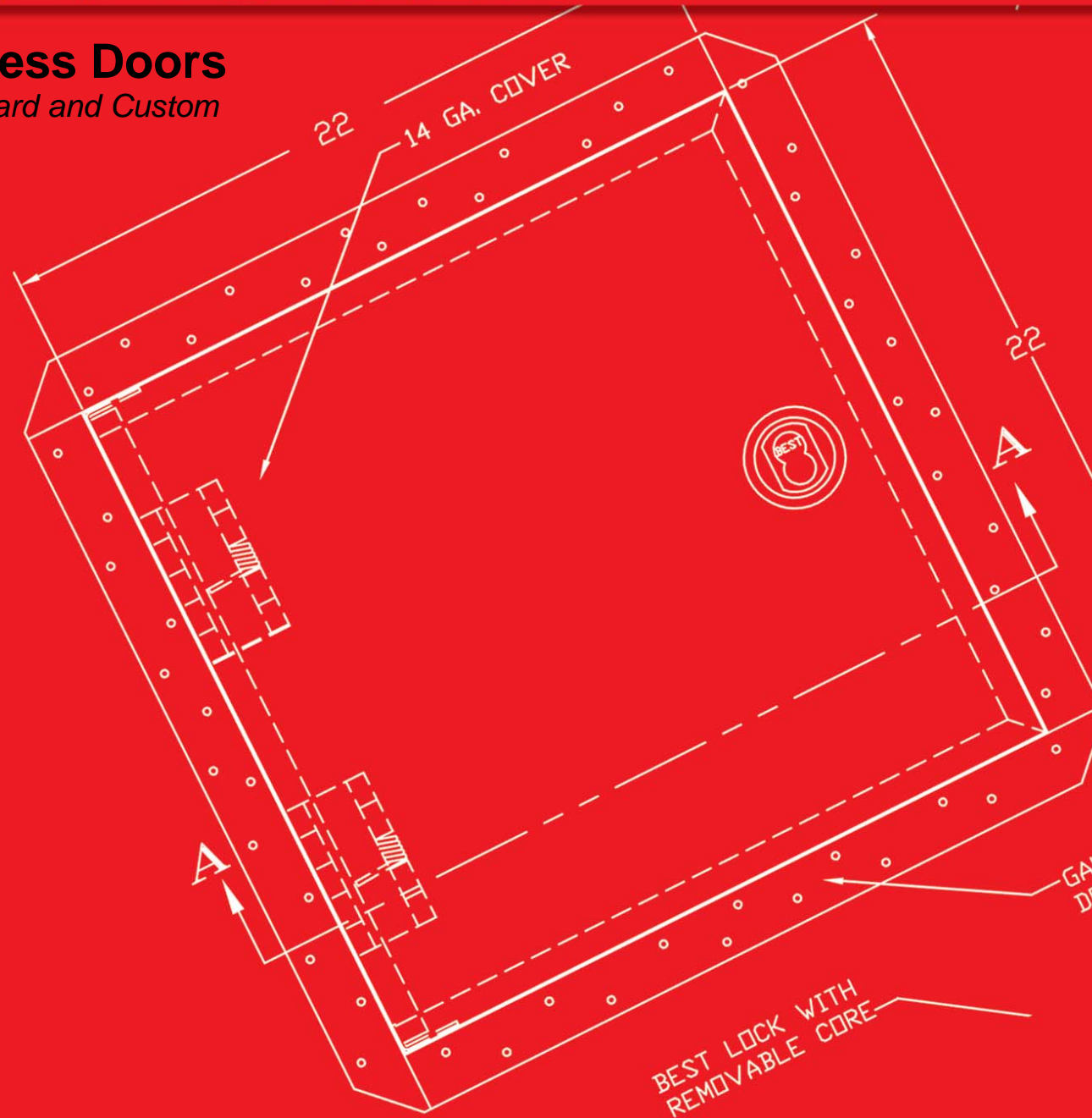
22

WOOD SCREWS

STUD

MILCOR

Access Doors Standard and Custom



SECTION VIEW A-A

Experience

Milcor offers years of experience in the manufacture of a broad range of products and services for residential, commercial, institutional and industrial construction.

Engineering

Each Milcor Access Door is engineered for specific application. Two principles guide the design of our products:

Function - the door must provide the function desired.

Installation - the door must be easy to install in the location (wall or ceiling) and on the type of surface, and must provide the desired finished installed appearance.

Quality

Milcor has a long-established reputation for quality construction of metal access doors. At Milcor, the tradition of quality continues with advanced manufacturing techniques and quality control procedures, leading the industry in the Milcor tradition.

On-Time Delivery

Milcor knows, from long experience, the importance of on-time delivery of building components to meet construction schedules. Our reputation has been built on delivering every order on-time and complete.

Selection

Milcor access doors provide critical service access in all types of wall and ceiling areas. Milcor sets the standard for the most diversified offering of access doors. Doors are offered in standard and special sizes to meet specific customer needs.

Customization

Milcor access doors are sized to fit common framing dimensions for areas in which they are designed to be used. However, special sizes and modifications are available on request. Other than the Style ME, all access doors are prime-painted gray, but have an option of a gold sand, jet black, or brilliant white painted finish.

Product Changes

Milcor reserves the right to change the design or details of its products without notice, so long as those changes do not affect the essential utility or function of the products.

Warranty

Milcor warrants for one year all goods sold to be free from defects in materials and workmanship, but limits our liability expressly to the replacement of goods not complying with this warranty; or, at our election, a credit to the buyer of the purchase price paid.

Product Index

Styles	Construction	Door Type	Application	Page
General Information				2
M Style	Prime Painted Steel	Flush Frame	All Ceilings & Walls	3
ME Style	Prime Painted Steel	Flush Frame	All Ceilings & Walls	4
DW Style	Prime Painted Steel	Drywall Bead	Drywall Ceilings & Walls	5
K Style	Prime Painted Steel	Plaster Lathe	Plaster Ceilings & Walls	6
DWR Style	Prime Painted Steel	Recessed Drywall	Drywall Ceilings & Walls	7
AP Style	Prime Painted Steel	Recessed Plaster	Plaster Ceilings & Walls	8
AT Style	Prime Painted Steel	Recessed	Acoustical Tile Ceilings	9
ATR Style	Prime Painted Steel	Recessed Fire-Resistant	Suspended Drywall Ceilings	9
UFR Style	Prime Painted Steel	Insulated Fire Rated	All Ceilings & Walls	10
NIFR Style	Prime Painted Steel	Non-Insulated Fire Rated	Walls	11
CF/CT Style	Mill Finish Aluminum	Attic Access	Ceilings	12
Security Style	Prime Painted Steel	High Security	Ceilings and Walls	13
Valve Boxes	Prime Painted Steel	Enclosed Box	Valve Enclosures	14
Customized Doors				15
Technical Specifications				16/19

Architectural Grade Flush Door - Style M for Drywall, Masonry or Tile Walls

Advantages

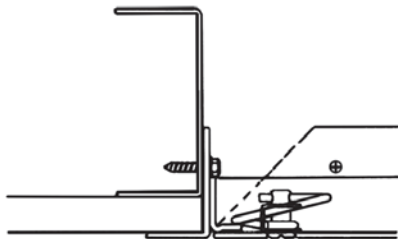
- ✓ Our most popular access door with one-piece frame is the standard for the industry. The attractive 16 gauge one-piece frame provides 100% clear opening with superior strength, rigidity and true square shape.
- ✓ The 16 gauge door panel is mounted to the frame on concealed spring hinges that open to 175 degrees for complete access without allowing the door to impact the wall.
- ✓ For easy opening the cam lock release mechanism moves the edge of the door panel outward to provide a fingerhold.
- ✓ Available in gray prime-painted steel, stainless steel and galvanized steel. Optional primed colors also include brilliant white, gold sand and jet black.



Masonry or Tile Wall Installation Detail



Drywall Installation Detail



Standard Sizes and Model Number*

Door Size* (Second Dim. Hinge Side)	Opening	Style MS Stainless Model No.	Style M Steel Model No.	No. Cams	Shipping Weight Lbs.
6" x 6"	6 ¹ / ₄ " x 6 ¹ / ₄ "		3202-008	1	3
8" x 8"	8 ¹ / ₄ " x 8 ¹ / ₄ "	3202-410	3202-010	1	5
8" x 12"	8 ¹ / ₄ " x 12 ¹ / ₄ "		3202-012	1	6
10" x 10"	10 ¹ / ₄ " x 10 ¹ / ₄ "		3202-013	1	6
12" x 12"	12 ¹ / ₄ " x 12 ¹ / ₄ "	3202-414	3202-014	1	8
12" x 16"	12 ¹ / ₄ " x 16 ¹ / ₄ "		3202-016	1	10
12" x 18"	12 ¹ / ₄ " x 18 ¹ / ₄ "		3202-018	1	11
12" x 24"	12 ¹ / ₄ " x 24 ¹ / ₄ "		3202-019	2	13
14" x 14"	14 ¹ / ₄ " x 14 ¹ / ₄ "		3202-015	1	10
16" x 16"	16 ¹ / ₄ " x 16 ¹ / ₄ "	3202-420	3202-020	1	12
16" x 20"	16 ¹ / ₄ " x 20 ¹ / ₄ "		3202-022	1	14
18" x 18"	18 ¹ / ₄ " x 18 ¹ / ₄ "	3202-424	3202-024	1	13
18" x 24"	18 ¹ / ₄ " x 24 ¹ / ₄ "		3202-025	2	17
20" x 20"	20 ¹ / ₄ " x 20 ¹ / ₄ "		3202-027	2	16
20" x 24"	20 ¹ / ₄ " x 24 ¹ / ₄ "		3202-026	4**	20
20" x 30"	20 ¹ / ₄ " x 30 ¹ / ₄ "		3202-028	5**	24
22" x 22"	22 ¹ / ₄ " x 22 ¹ / ₄ "		3202-029	4**	20
24" x 24"	24 ¹ / ₄ " x 24 ¹ / ₄ "	3202-430	3202-030	4**	21
24" x 30"	24 ¹ / ₄ " x 30 ¹ / ₄ "		3202-032	5**	26
24" x 36"	24 ¹ / ₄ " x 36 ¹ / ₄ "		3202-034	5**	32
24" x 48"	24 ¹ / ₄ " x 48 ¹ / ₄ "		3202-035	5**	41
30" x 30"	30 ¹ / ₄ " x 30 ¹ / ₄ "		3202-038	5**	30
36" x 36"	36 ¹ / ₄ " x 36 ¹ / ₄ "		3202-046	5**	42

*Add "M" or "MS" to door size to indicate prime-painted (M) or stainless steel (MS).

**One cam lock center at top and bottom panel; balance on side opposite hinges.

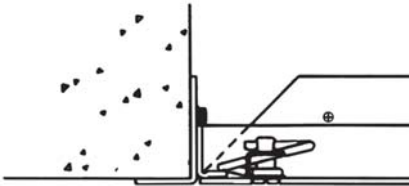
Standard Grade Flush Door for Drywall, Masonry or Tile Walls - Style ME

Advantages

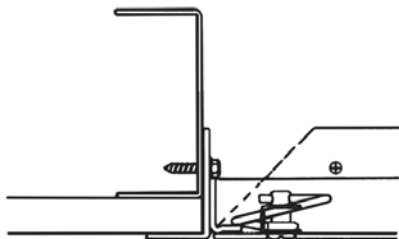
- ✓ Milcor ME access door with one-piece 18 gauge frame and 16 gauge door. The attractive one-piece frame provides 100% clear opening with superior strength, rigidity and true square shape.
- ✓ The door panel is mounted to the frame on concealed spring hinges that open to 175 degrees for complete access without allowing the door to impact the wall.
- ✓ For easy opening the cam lock release mechanism moves the edge of the door panel outward to provide a fingerhold.
- ✓ Comes standard with a white textured paint that provides a better adhesive property for water-based paint.



Masonry or Tile Wall Installation Detail



Drywall Installation Detail

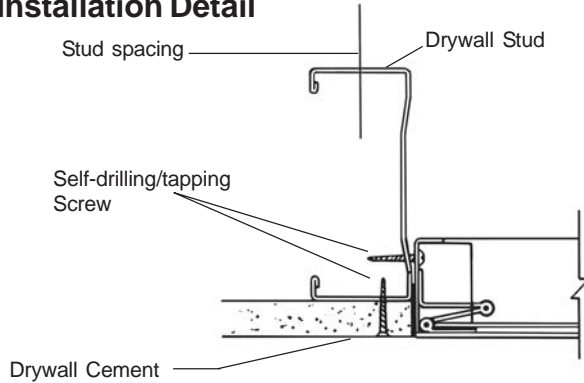


Standard Sizes and Model Number

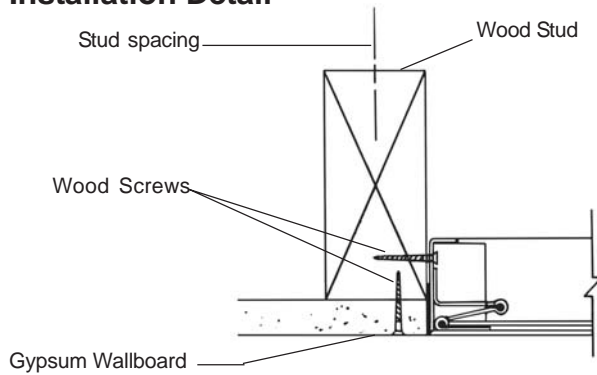
Door Size* (Second Dim. Hinge Side)	Opening	Style ME Steel		Shipping Weight
		Model No.	No. Cams	Lbs.
6" x 6"	6 1/4" x 6 1/4"	3215-008-9		3
8" x 8"	8 1/4" x 8 1/4"	3215-010-9		5
8" x 12"	8 1/4" x 12 1/4"	3215-012-9		6
10" x 10"	10 1/4" x 10 1/4"	3215-013-9		6
12" x 12"	12 1/4" x 12 1/4"	3215-014-9	1	8
12" x 16"	12 1/4" x 16 1/4"			
12" x 18"	12 1/4" x 18 1/4"			
12" x 24"	12 1/4" x 24 1/4"			
14" x 14"	14 1/4" x 14 1/4"	3215-015-9	1	10
16" x 16"	16 1/4" x 16 1/4"	3215-020-9	1	12
16" x 20"	16 1/4" x 20 1/4"			
18" x 18"	18 1/4" x 18 1/4"	3215-024-9	1	13
18" x 24"	18 1/4" x 24 1/4"			
20" x 20"	20 1/4" x 20 1/4"			
20" x 24"	20 1/4" x 24 1/4"			
20" x 30"	20 1/4" x 30 1/4"			
22" x 22"	22 1/4" x 22 1/4"			
24" x 24"	24 1/4" x 24 1/4"	3215-030-9	4	21
24" x 30"	24 1/4" x 30 1/4"			
24" x 36"	24 1/4" x 36 1/4"			
24" x 48"	24 1/4" x 48 1/4"			
30" x 30"	30 1/4" x 30 1/4"			
36" x 36"	36 1/4" x 36 1/4"			

Standard Flush Door for Drywall Ceilings or Walls - Style DW

Steel Stud Installation Detail



Wood Stud Installation Detail



Advantages

- ✓ Flush panel means that door is unobtrusive in appearance.
- ✓ Outer frame has special drywall bead configuration so that drywall cement may be applied to cover and conceal the flange.
- ✓ Standard sizes fit standard wood stud or steel stud spacing of 12", 16", or 24" on center with no additional bracing.
- ✓ Special double-acting concealed spring hinges allow opening to 175 degrees for complete access.
- ✓ The Milcor DW Access Door complements drywall construction in a flush wall or ceiling installation.
- ✓ Available in gray prime-painted steel, stainless steel and galvanized steel. Optional primed colors also include brilliant white, gold sand and jet black.

Standard Sizes and Model Number

Stud Spacing	Door Size*	Opening	Model No.	Shipping Weight	
				Lbs.	
	8" x 8"	8 ¹ / ₂ " x 8 ¹ / ₂ "	3203-008	4	
12" OC	10" x 10"	10 ¹ / ₂ " x 10 ¹ / ₂ "	3203-010	5	
	12" x 12"	12 ¹ / ₂ " x 12 ¹ / ₂ "	3203-012	6	
16" OC	14" x 14"	14 ¹ / ₂ " x 14 ¹ / ₂ "	3203-014	9	
	16" x 16"	16 ¹ / ₂ " x 16 ¹ / ₂ "	3203-016	10	
	18" x 18"	18 ¹ / ₂ " x 18 ¹ / ₂ "	3203-017	12	
24" OC	22" x 22"	22 ¹ / ₂ " x 22 ¹ / ₂ "	3203-018	17	
26" OC	24" x 24"	24 ¹ / ₂ " x 24 ¹ / ₂ "	3203-019	19	
	24" x 36"	24 ¹ / ₂ " x 36 ¹ / ₂ "	3203-036	28	

*One cam lock centered at top and bottom of panel; balance of cam locks on side opposite hinge.

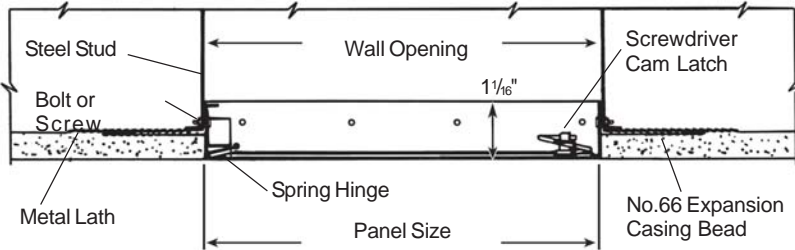
Standard Flush Door for Plaster Walls or Ceilings - Style K



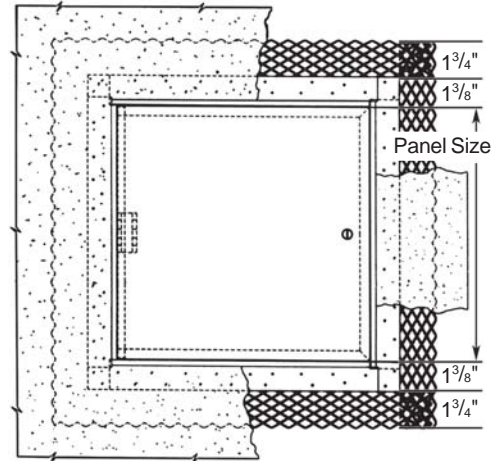
Advantages

- ✓ An expanded metal casing bead, included as part of the frame, provides a neat, protected finish between frame and plaster, while furnishing added plaster reinforcement.
- ✓ The door panel finishes flush with plaster surface, making an unobtrusive installation when painted, to match the wall or ceiling.
- ✓ The door panel is mounted to the frame with concealed spring hinges that open to 175 degrees for complete access without allowing the door to impact surrounding surface.
- ✓ Available in gray prime-painted steel, stainless steel and galvanized steel. Optional primed colors also include brilliant white, gold sand and jet black.

Installation Detail - Section AA



Installation Detail - Elevation



Standard Sizes and Model Number*

Door Size*	Opening	Model No.	Hinges	Locks	Shipping Weight
					Lbs.
8" x 8"	8 ¹ / ₄ " x 8 ¹ / ₄ "	3200-010	1	1	4
8" x 12"	8 ¹ / ₄ " x 12 ¹ / ₄ "	3200-012	1	1	6
12" x 12"	12 ¹ / ₄ " x 12 ¹ / ₄ "	3200-014	1	1	7
12" x 16"	12 ¹ / ₄ " x 16 ¹ / ₄ "	3200-016	2	1	9
12" x 18"	12 ¹ / ₄ " x 18 ¹ / ₄ "	3200-018	2	1	10
12" x 24"	12 ¹ / ₄ " x 24 ¹ / ₄ "	3200-019	2	2	12
16" x 16"	16 ¹ / ₄ " x 16 ¹ / ₄ "	3200-020	2	1	11
16" x 20"	16 ¹ / ₄ " x 20 ¹ / ₄ "	3200-022	2	1	13
18" x 18"	18 ¹ / ₄ " x 18 ¹ / ₄ "	3200-024	2	1	12
20" x 24"	20 ¹ / ₄ " x 24 ¹ / ₄ "	3200-026	2	4**	17
20" x 30"	20 ¹ / ₄ " x 30 ¹ / ₄ "	3200-028	3	5**	21
24" x 24"	24 ¹ / ₄ " x 24 ¹ / ₄ "	3200-030	2	4**	20
24" x 30"	24 ¹ / ₄ " x 30 ¹ / ₄ "	3200-032	3	5**	24
24" x 36"	24 ¹ / ₄ " x 36 ¹ / ₄ "	3200-034	3	5**	28

*Add "K" to door size to indicate style desired.

**Cam lock centered at top and bottom panel; balance of cam locks on side opposite hinges.

Recessed Door for Drywall Walls & Ceilings - Style DWR

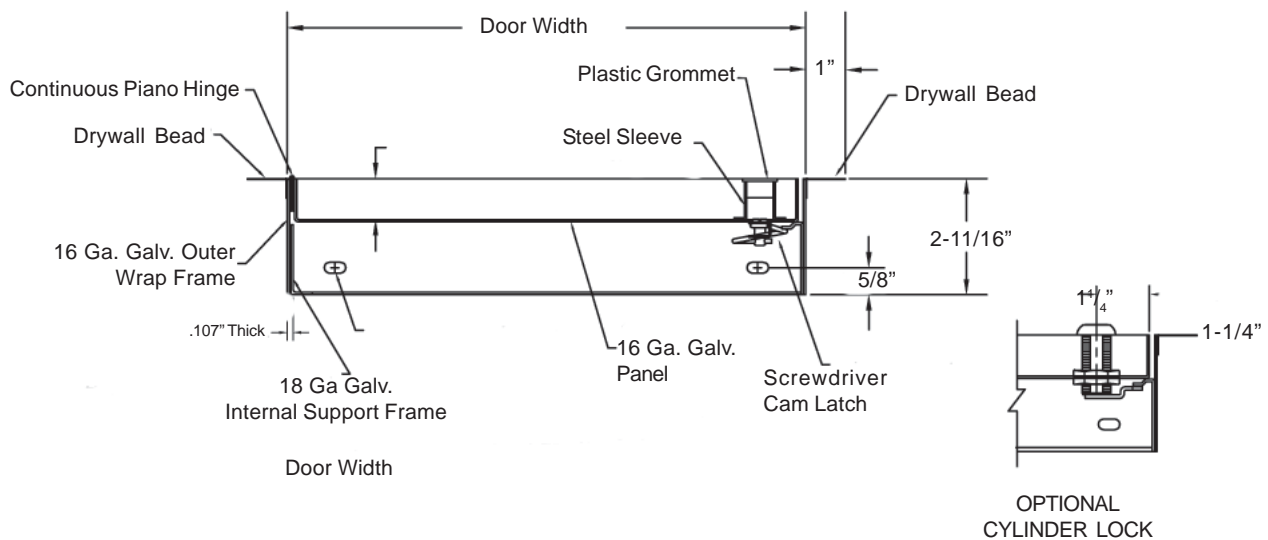
Advantages

- ✓ Milcor's Style DWR recessed panel access door is designed for concealed installation in drywall applications requiring sound absorption and a clean ceiling or wall appearance.
- ✓ Sound absorption is maintained by the field installed drywall panel inserted into the recessed door panels.
- ✓ When door panels are filled with drywall panels only the narrow frame edges are exposed creating a fire-resistant installation.
- ✓ Available in gray prime-painted steel, stainless steel and galvanized steel.



Standard Sizes and Model Number*

Door Size* (2nd Dim. Hinge Side)	Opening	Model No.	Cam Locks	Shipping Weight Lbs.
12" x 12"	12 ¹ / ₂ " x 12 ¹ / ₂ "	3207-014	1	9
12" x 24"	12 ¹ / ₂ " x 24 ¹ / ₂ "	3207-019	2	15
18" x 18"	18 ¹ / ₂ " x 18 ¹ / ₂ "	3207-024	2	15
24" x 24"	24 ¹ / ₂ " x 24 ¹ / ₂ "	3207-030	2	24
24" x 36"	24 ¹ / ₂ " x 36 ¹ / ₂ "	3207-034	3	32
36" x 36"	36 ¹ / ₂ " x 36 ¹ / ₂ "	3207-046	5	41
36" x 42"	36 ¹ / ₂ " x 42 ¹ / ₂ "	3207-048	5	41



Recessed Door for Acoustical Plaster Ceilings - Style AP

Advantages

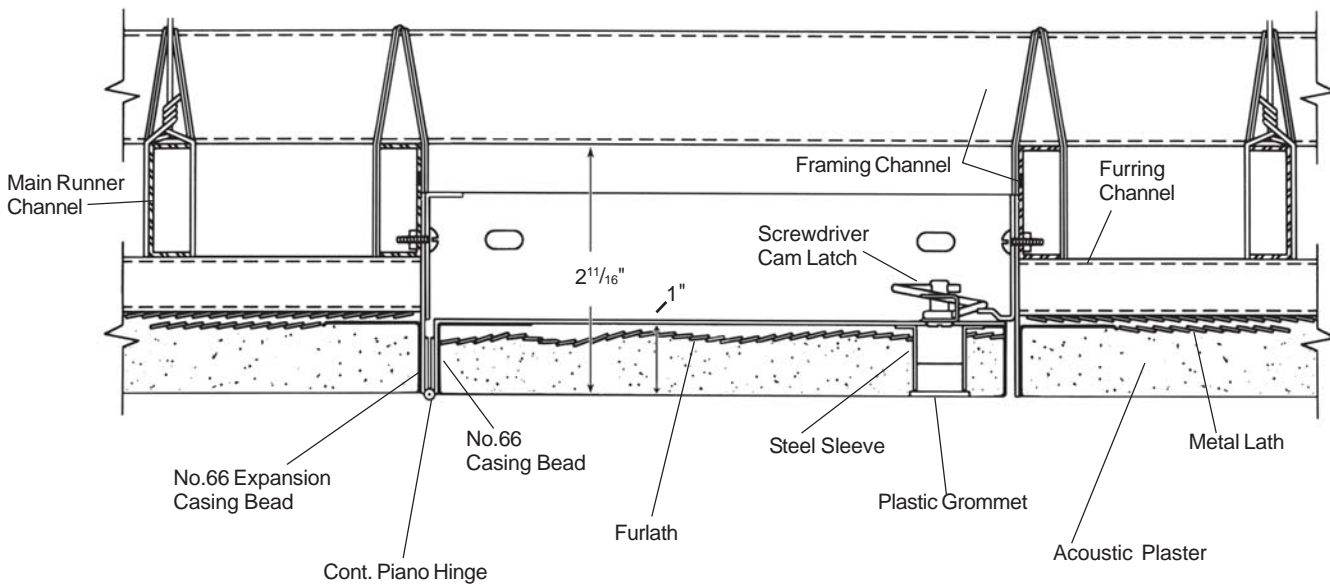
- ✓ Milcor's Style AP recessed panel access door is designed for concealed installation in plaster ceilings to maintain sound absorption and a clean ceiling appearance.
- ✓ Door Panels recessed for applications of acoustical plaster.
- ✓ Ceiling sound absorption is maintained by the plaster-filled door panels.
- ✓ When door panels are filled with plaster only the narrow frame edges are exposed.



Standard Sizes and Model Number*

Door Size*	Opening	Model No.	Locks	Shipping Weight Lbs.
12" x 12"	12 ¹ / ₄ " x 12 ¹ / ₄ "	3206-014	1	9
12" x 24"	12 ¹ / ₄ " x 24 ¹ / ₄ "	3206-019	2	15
18" x 18"	18 ¹ / ₄ " x 18 ¹ / ₄ "	3206-024	2	15
24" x 24"	24 ¹ / ₄ " x 24 ¹ / ₄ "	3206-030	2	24
24" x 36"	24 ¹ / ₄ " x 36 ¹ / ₄ "	3206-034	3	32

Installation Detail



Steel Doors for Suspended Ceilings - Style ATR and AT

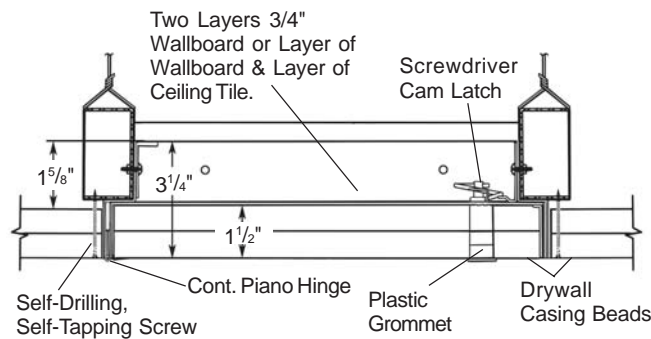
Recessed Fire Resistive Steel



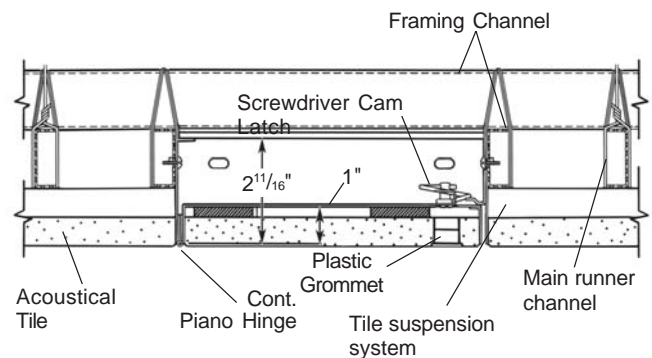
Recessed Steel



Channel Suspension Installation Detail



Installation Detail



Advantages

- ✓ Milcor ATR access doors for suspended drywall ceilings provide service access that fits within the ceiling grid support system.
- ✓ Recessed door is filled with matching materials and finished flush with the surrounding ceiling surface.
- ✓ The installed unit is virtually concealed.
- ✓ Plastic grommet is furnished to protect the hole made in wallboard or ceiling tile for access to cam lock control.

Standard Sizes and Model Number

Door Size*	Ceiling Opening	Model No.	Locks	Shipping Weight	
				Lbs.	
12" x 12"	10 1/2" x 10 1/2"	3204-012	1	9	
18" x 18"	16 1/2" x 16 1/2"	3204-018	2	14	
24" x 24"	22 1/2" x 22 1/2"	3204-024	2	20	

*Add "ATR" to door size to indicate style desired.

Advantages

- ✓ Milcor AT access doors for acoustical tile ceilings provide a virtually concealed installation.
- ✓ Recessed door panels receive a covering of acoustical tile, leaving only the narrow edges exposed to keep acoustical surface intact and contribute to sound control and appearance.
- ✓ Plastic grommet protects the hole made in tile for access to cam lock control.
- ✓ Cylinder lock with two keys furnished in place of a cam lock, available at slight extra charge.

Standard Sizes and Model Number

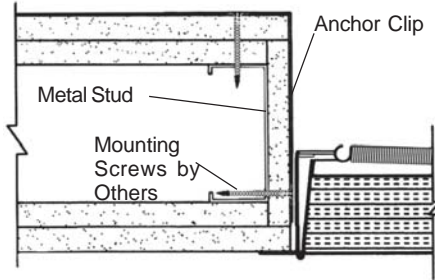
Door Size*	Ceiling Opening	Model No.	Locks	Shipping Weight	
				Lbs.	
12" x 12"	12 1/4" x 12 1/4"	3205-014	1	7	
12" x 24"	12 1/4" x 24 1/4"	3205-019	2	12	
18" x 18"	18 1/4" x 18 1/4"	3205-024	2	11	
24" x 24"	24 1/4" x 24 1/4"	3205-030	2	19	
24" x 36"	24 1/4" x 36 1/4"	3205-034	3	26	

*Add "AT" to door size to indicate style desired.

Universal Fire-Rated Access Doors for Walls and Ceilings - UFR



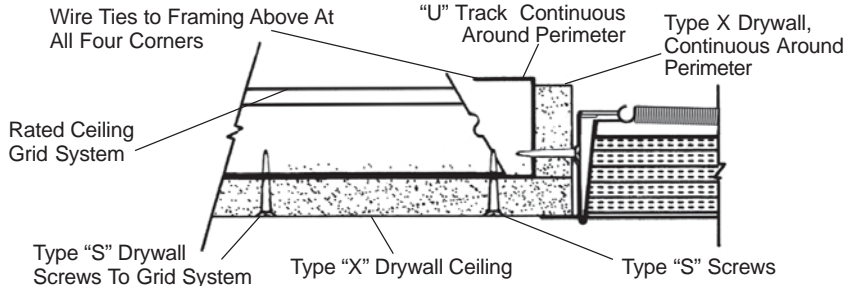
Drywall Installation Details



Advantages

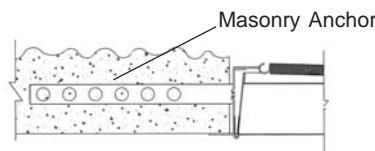
- ✓ **Fire-Rated:** Carries both UL and CUL 1½ hour, Class B fire rating, as well as the Warnock Hersey Label for three-hour noncombustible floor/ceiling systems.
- ✓ **Certified 250 Degree Temperature Rise Protection:** Milcor UFR Doors are insulated with super-efficient insulation to limit temperature rise after 30 minutes to only 250 degrees F. This UL temperature rise is the best in the business.
- ✓ **Insulation Offers True Safety:** Conventional uninsulated access doors can assist spontaneous ignition of anything near the door when the temperature on the *protected side* of an door exceeds 600 degrees F, endangering people.
- ✓ **Reduced Sound Transmission:** The sandwich-type insulated door panel provides a dual benefit of reduction in sound transmission through the access door.

Ceiling Installation Details



- ✓ **Automatic Panel Closer:** A strong coil spring makes the door self-closing and self-latching. The convenient snap latch can be left locked or unlocked without affecting closer seal.
- ✓ **Choice of Finishes:** Available in gray prime-painted steel and stainless steel. Optional colors include brilliant white, gold sand and jet black.

Masonry Wall Installation Details



Standard Sizes and Model Number

Door Size**	Opening	Model No.	Locks	Masonry Anchors	Shipping Weight Lbs. +
8" x 8" ●	8½" x 8½"	3218-010	1	4	8
12" x 12"	12½" x 12½"	3218-012	1	4	13
12" x 24"	12½" x 24½"	3218-020	1	4	20
14" x 14"	14½" x 14½"	3218-014	1	4	16
16" x 16"	16½" x 16½"	3218-016	1	4	18
18" x 18"	18½" x 18½"	3218-018	1	4	22
22" x 30"	22½" x 30½"	3218-022	1	4	38
22" x 36"	22½" x 36½"	3218-027	1	4	43
24" x 24"	24½" x 24½"	3218-024	1	4	34
24" x 30"	24½" x 30½"	3218-023	1	4	41
24" x 36"	24½" x 36½"	3218-028	1	4	48
24" x 48" ◆	24½" x 48½"	3218-031	2	6	54
30" x 30" ◆	30½" x 30½"	3218-030	1	4	45
32" x 32" ◆	32½" x 32½"	3218-032	1	4	48
36" x 36" ◆	36½" x 36½"	3218-036	1	4	51
36" x 48" ◆	36½" x 48½"	3218-038	2	6	76
48" x 48" ◆	48½" x 48½"	3218-048	2	8	95

*Stainless Steel fire-rated doors are available in maximum dimensions of 36"

**Mortise Lock mechanism is not available on Stainless Steel UFR

The chart indicates the attributes assigned to the various door sizes:

- 8x8 is for wall application only
- + Pack one door per shipment
- ◆ Intended for vertical (wall) application only

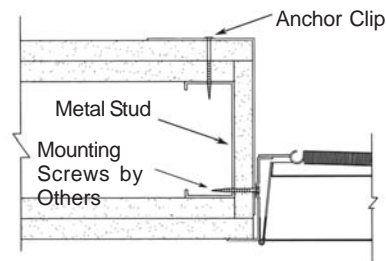
Non-Insulated Fire-Rated Access Doors for Walls Only - Style NIFR

Advantages

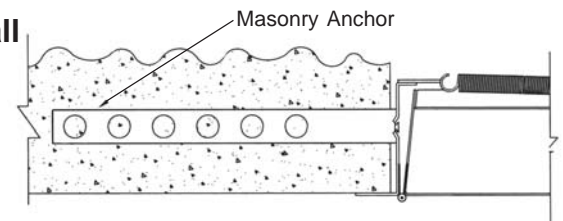
- ✓ **Fire-Rated:** Carries both UL and CUL 1¹/₂ hour, Class B fire rating. Rating is maintained for a 2-hour wall with our non-insulated fire-rated access door, installed where temperature rise is not a factor. This door is designed for wall application only.
- ✓ **Reduced Sound Transmission:** The sandwich-type door panel provides the additional benefit of reduction in sound transmission through the access door.
- ✓ **Automatic Panel Closer:** A strong coil spring makes the door self-closing and self-latching. The convenient snap latch can be left locked or unlocked without affecting the closer seal.
- ✓ **Choice of Finishes:** Available in gray prime-painted steel and stainless steel. Optional primed colors include brilliant white, gold sand and jet black.
- ✓ **Milcor Non-insulated Fire-Rated Access Doors** are designed to install easily and work perfectly in any wall from drywall to masonry.



Drywall Installation Details



Masonry Wall Installation Details



Standard Sizes and Model Number

Door Size	Opening	Model No.	Locks	Masonry Anchors	Shipping Weight Lbs.
8" x 8"	8 ¹ / ₂ " x 8 ¹ / ₂ "	3219-008-9	1	4	7
12" x 12"	12 ¹ / ₂ " x 12 ¹ / ₂ "	3219-012-9	1	4	11
14" x 14"	14 ¹ / ₂ " x 14 ¹ / ₂ "	3219-014-9	1	4	13
16" x 16"	16 ¹ / ₂ " x 16 ¹ / ₂ "	3219-016-9	1	4	15
18" x 18"	18 ¹ / ₂ " x 18 ¹ / ₂ "	3219-018-9	1	4	18
24" x 24"	24 ¹ / ₂ " x 24 ¹ / ₂ "	3219-024-9	1	4	28
22" x 30"	22 ¹ / ₂ " x 30 ¹ / ₂ "	3219-023-9	1	4	29
22" x 36"	22 ¹ / ₂ " x 36 ¹ / ₂ "	3219-027-9	1	4	35

Mortise Lock Mechanism not available on Stainless Steel NFR

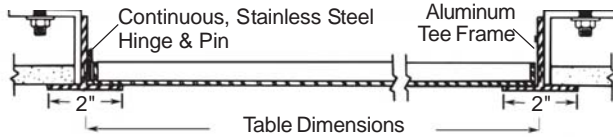
Aluminum Doors for Suspended Ceilings - CF and CT

Flush Aluminum

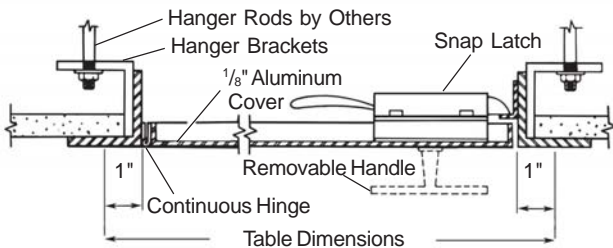


Installation Details

Upward Swing



Downward Swing



Advantages

- ✓ Milcor CF aluminum ceiling access doors provide convenient access to services or controls located in ceilings.
- ✓ Units are installed by bolting the hanger brackets to the hanger rods furnished and installed by contractor.
- ✓ The aluminum cover and frame with stainless steel hinges produce a strong, lightweight, corrosion-resistant assembly.
- ✓ Covers open upward smoothly on continuous hinges.
- ✓ Downward opening models are available.

Standard Sizes and Model Number

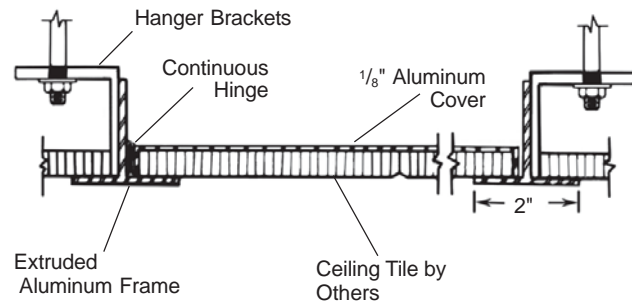
Leaf Type	Dimensions** (Center-to-center of angles or tees)		Model No.	Shipping Weight
				Lbs.
Single	2'6" x 2'6"		CF-1	35
Single	2'6" x 3'0"		CF-2	40
Double	2'6" x 2'6"		CF-3	40

*Add upswing or downswing to product number to identify swing desired. **Second dimension is on hinge side.

Recessed Aluminum



Installation Details



Advantages

- ✓ Milcor aluminum ceiling access doors provide convenient access to services or controls located in ceilings. Model CT is designed for use in suspended tile ceilings.
- ✓ Units are installed by bolting the hanger brackets to the hanger rods furnished and installed by the ceiling contractor.
- ✓ Aluminum cover and frame with stainless steel hinges produce a strong, lightweight, corrosion-resistant assembly.
- ✓ Continuous hinges, opening upward or, if desired, downward hinges are available.
- ✓ Frame flange serving as a support ledge for the tile.

Standard Sizes and Model Number

Leaf Type	Dimensions** (Center-to-center of angles or tees)		Model No.	Shipping Weight
				Lbs.
Single	2'6" x 2'6"		CT-1	35
Single	2'6" x 3'0"		CT-2	40
Double	2'6" x 2'6"		CT-3	40

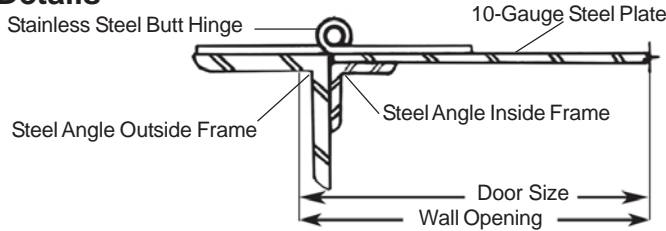
Security or Detention Doors for Walls or Ceilings



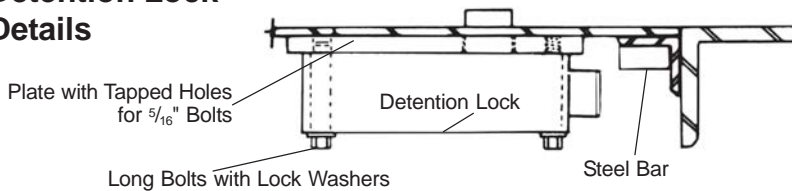
Advantages

- ✓ Milcor security access doors for walls and ceilings provide critical security and tamperproof access where security is of primary importance.
- ✓ Special stainless steel butt hinge prevents removal of hinge.
- ✓ Masonry anchors and detention lock preparation are standard.
- ✓ A detention-type deadbolt lock is an available option to prevent unauthorized access.
- ✓ Tamperproof screws are available when specified for additional security.
- ✓ Finishes: Available in gray prime-painted steel.

Hinge Details



Detention Lock Details



Standard Sizes and Model Number*

Size	Frame Size	Opening	Number of Masonry Anchors	Number of Hinges	Detention Lock Preparation Only		With Detention Lock*		With Tamperproof Screws**	
					Model No.	Lbs.	Model No.	Lbs.	Model No.	Lbs.
12" x 12"	16" x 16"	12 ³ / ₄ " x 12 ³ / ₄ "	4	2	3211-014	25	3211-114	30	3211-214	26
12" x 24"	16" x 28"	12 ³ / ₄ " x 24 ³ / ₄ "	4	2	3211-019	37	3211-119	42	3211-219	38
16" x 16"	20" x 20"	16 ³ / ₄ " x 16 ³ / ₄ "	4	2	3211-020	34	3211-120	39	3211-220	35
18" x 18"	22" x 22"	18 ³ / ₄ " x 18 ³ / ₄ "	4	2	3211-024	39	3211-124	44	3211-224	40
18" x 24"	22" x 28"	18 ³ / ₄ " x 24 ³ / ₄ "	4	2	3211-025	47	3211-125	52	3211-225	48
24" x 24"	28" x 28"	24 ³ / ₄ " x 24 ³ / ₄ "	4	2	3211-030	56	3211-130	61	3211-230	57
24" x 30"	28" x 34"	24 ³ / ₄ " x 30 ³ / ₄ "	4	2	3211-032	65	3211-132	70	3211-232	66
24" x 36"	28" x 40"	24 ³ / ₄ " x 36 ³ / ₄ "	8	2	3211-034	74	3211-134	79	3211-234	75
24" x 48"	28" x 52"	24 ³ / ₄ " x 48 ³ / ₄ "	8	3	3211-035	92	3211-135	97	3211-235	93
30" x 30"	34" x 34"	30 ³ / ₄ " x 30 ³ / ₄ "	4	2	3211-038	75	3211-138	80	3211-238	76
36" x 24"	40" x 28"	36 ³ / ₄ " x 24 ³ / ₄ "	4	2	3211-040	74	3211-140	79	3211-240	75
36" x 36"	40" x 40"	36 ³ / ₄ " x 36 ³ / ₄ "	8	2	3211-046	97	3211-146	102	3211-246	98
36" x 40"	40" x 44"	36 ³ / ₄ " x 40 ³ / ₄ "	8	2	3211-048	106	3211-148	111	3211-248	107
36" x 48"	40" x 52"	36 ³ / ₄ " x 48 ³ / ₄ "	8	3	3211-050	122	3211-150	127	3211-250	123

*Special key for detention lock required.

**Special key for tamperproof screws required.

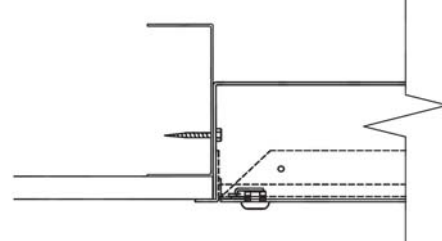
Versatile Valve Box

Advantages

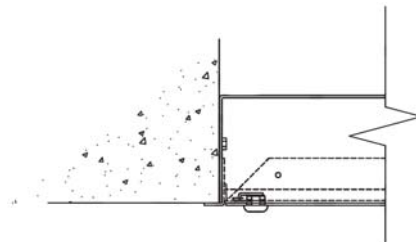
- ✓ Milcor's Versatile Valve Box with one-piece frame is the standard for the industry. The design provides 100% clear opening with superior strength, rigidity and true square shape.
- ✓ The fully enclosing box keeps valves clean and clear from excess materials within the wall cavity.
- ✓ The door panel is mounted to the frame on a piano hinge that opens to 175 degrees for complete access without allowing the door to impact the wall.
- ✓ For easy opening, the unit comes standard with a cylinder lock release mechanism which acts as a fingerhold assist in opening the door.
- ✓ Available in gray prime-painted steel, stainless steel and galvanized steel. Optional primed colors also include brilliant white, gold sand and jet black.



Drywall Installation Detail



Masonry or Tile Wall Installation Detail



Standard Sizes and Model Number

Door Size	Opening	Depth	Model Number Steel	Model Number Stainless	No. Cylinder Locks	Shipping Weight Each (lbs)
8"x8"	8 5/8" x 8 5/8"	4"	3601-008-4	3602-008-4	1	11
	8 5/8" x 8 5/8"	6"	3601-008-6	3602-008-6	1	13
	8 5/8" x 8 5/8"	8"	3601-008-8	3602-008-8	1	15
12"x12"	12 5/8" x 12 5/8"	4"	3601-012-4	3602-012-4	1	14
	12 5/8" x 12 5/8"	6"	3601-012-6	3602-012-6	1	16
	12 5/8" x 12 5/8"	8"	3601-012-8	3602-012-8	1	18
14"x14"	14 5/8" x 14 5/8"	4"	3601-014-4	3602-014-4	1	20
	14 5/8" x 14 5/8"	6"	3601-014-6	3602-014-6	1	23
	14 5/8" x 14 5/8"	8"	3601-014-8	3602-014-8	1	27
16"x16"	16 5/8" x 16 5/8"	4"	3601-016-4	3602-016-4	1	23
	16 5/8" x 16 5/8"	6"	3601-016-6	3602-016-6	1	26
	16 5/8" x 16 5/8"	8"	3601-016-8	3602-016-8	1	30

Customized Doors for Special

Milcor access doors can be customized to your special needs if the standard doors do not adequately fit your parameters. Sometimes a simple sizing change is all that is needed, but many applications require a unique design to solve their special access needs.

Whenever you have a special condition to meet, Milcor engineers will be pleased to review your requirements and work with you in the design and manufacture, in any quantity, of an access door to meet that need.

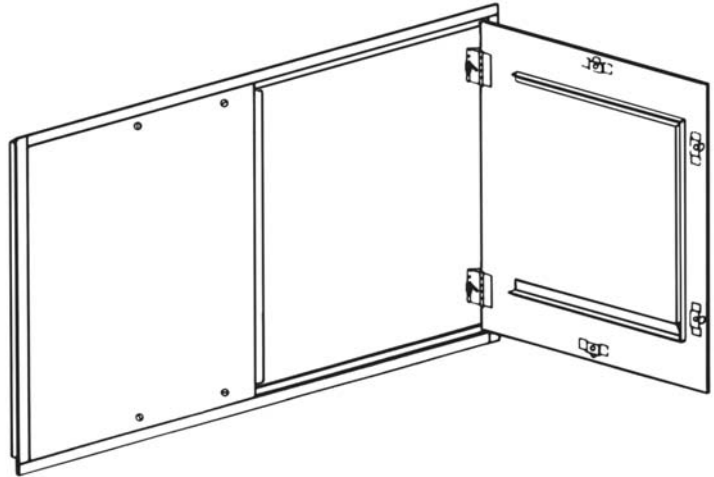
Not only can we furnish custom-modified access doors to accommodate non-standard dimensional requirements and special features such as lock, louvers and hinges, but we can also develop doors with unique shapes finishes, load capabilities or performance standards.

Two examples of customized doors Milcor has produced to meet special access needs are shown on this page.

Virtually any design need can be met by Milcor. Talk with us about your special access door need.

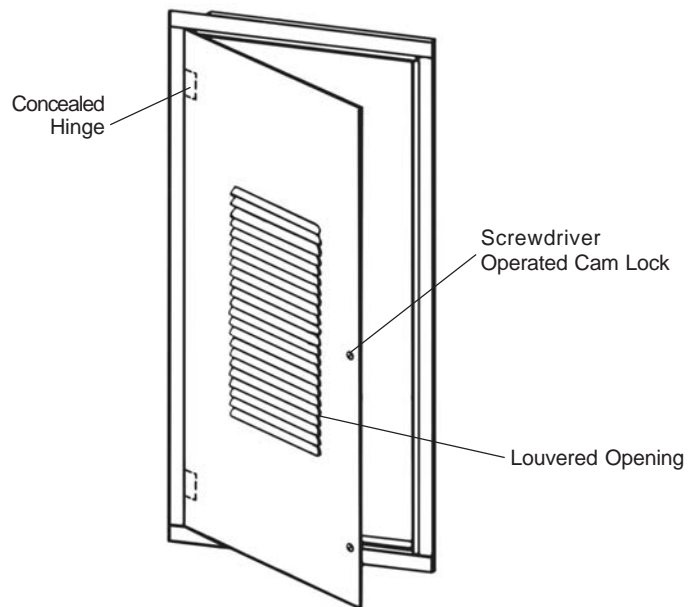
Double- Leaf

Double-leaf access door provides an extra-wide opening.



Louvered

Milcor M access door with louver does double duty as air intake and access to heating/air conditioning unit.



Style: M

Guide Specification

Milcor M and MS Access Doors provide critical service access in drywall, masonry or tile walls and offer superior resistance to corrosion. Sizes are as indicated on page 3.

Material

Style M, Powder Coat Painted Grey: 16-gauge Cold Rolled steel frame and door panel. Style MS, Stainless Steel: 16-gauge stainless steel frame and door panel.

Finishes

These Milcor access doors are offered in corrosion-resistant, prime-painted and stainless steel surfaces. The prime-painted surface is factory-painted through an electro-static binding process with an ionized power paint and then thermo set in a curing cycle to eliminate runs and bubbles. This gray paintable surface can be used as is, or painted to suit specific décor. Brilliant white, gold sand and jet black finishes are also available. Stainless steel models in a satin finish are available for added corrosion resistance.

Hinge

Concealed spring hinges open to 175 degrees. Extracting pin from hinge leaf attached to panel permits panel removal. Number of hinges varies with size of door. Check with your Milcor representative for details.

Lock

Flush, screwdriver-operated with steel cam. Available with allen head or spanner head cam or mortise cylinder lock on special order. Cylinder lock option with two keys furnished to replace one cam lock, if required, at slight extra charge.

Anchors

Milcor M & MS door frames are furnished with masonry anchors, if specified, at slight extra charge. Number of anchors varies per door size requirements.

Packing

One per carton.

Style: ME

Guide Specification

Milcor ME Access Doors provide critical service access in drywall, masonry or tile walls and offer superior resistance to corrosion. Sizes are as indicated on page 4.

Material

Style ME, White Textured Paint, 18-gauge steel frame and 16-gauge door panel.

Finishes

These Milcor access doors are offered in textured white paint. The textured white paint is factory-painted through an electro-static binding process with an ionized power paint and then thermo set in a curing cycle to eliminate runs and bubbles.

Hinge

Concealed spring hinges open to 175 degrees. Extracting pin from hinge leaf attached to panel permits panel removal. Number of hinges varies with size of door. Check with your Milcor representative for details.

Lock

Flush, screwdriver-operated with steel cam. Available with allen head or spanner head cam or mortise cylinder lock on special order. Cylinder lock option with two keys furnished to replace one cam lock, if required, at slight extra charge.

Anchors

Milcor ME door frames are furnished with masonry anchors, if specified, at slight extra charge. Number of anchors varies per door size requirements.

Packing

One per carton.

Style: DW

Guide Specification

Milcor DW Access Doors provide critical service access in dry wall ceilings or walls. Door style is flush with provision to conceal flange with drywall cement. Sizes are as indicated on page 5.

Material

16-gauge steel frame surrounded by a galvanized steel drywall bead. 14-gauge door panel.

Finish

Steel is chemically bonded with a gray prime coat of baked-on electrostatic powder. Brilliant white, gold sand and jet black finishes are also available.

Hinge

Special, double-acting concealed spring hinges allow opening to 175 degrees. Panels are removable by taking pin out of hinge leaf attached to panel. Number and placement of hinges varies with size of door.

Lock

Flush, screwdriver-operated with steel cam. Available with allen head or spanner head cam or mortise cylinder lock on special order. Cylinder lock option with two keys available in place of one cam lock at slight extra charge.

Packing

One per carton.

Style: K

Guide Specification

Milcor K Access Doors provide critical service access in plaster walls or ceilings. Sizes are as indicated on page 6.

Material

16-gauge steel frame with 14-gauge door panel and 22-gauge galvanized perimeter casing beads.

Finish

Steel is chemically bonded with a gray prime coat of baked-on electrostatic powder. Brilliant white, gold sand and jet black finishes are also available.

Hinge

Concealed spring hinges allow panel to open to 175 degrees. Panels are removable by taking pin out of hinge leaf attached to panel. Number of hinges varies with size of door.

Lock

Flush, screwdriver-operated with steel cam. Available with allen head or spanner head or mortise cylinder lock on special order. Cylinder lock, with 2 keys furnished replacing one cam lock, is available at a slight extra charge.

Packing

One per carton.

Style: DWR

Guide Specification

Milcor DWR Access Doors provide critical access in drywall ceilings while keeping maintaining ceiling appearance. Sizes are as indicated on page 7.

Material

16-gauge galvanized steel frame with drywall bead. 18-gauge galvanized steel door panel recessed for installation of a drywall panel. 24" x 24" and larger panels reinforced.

Finish

Steel is chemically bonded with a prime coat of gray baked-on electrostatic paint.

Hinge

Continuous hinge is steel with stainless steel pin, mounted on the long side.

Lock

Flush, screwdriver-operated with steel cam. Available with allen head or spanner head lock on special order. Cylinder lock, with 2 keys furnished replacing one cam lock, is available at an extra charge.

Packing

One per carton.

Style: AP

Guide Specification

Milcor AP Access Doors provide critical access in acoustical plaster ceilings while keeping acoustical surfaces intact maintaining ceiling appearance. Sizes are as indicated on page 8.

Material

16-gauge galvanized steel frame with plaster lathe. 18-gauge galvanized steel door panel with plaster lathe bonded to recessed cover. 24" x 24" and larger panels reinforced.

Finish

Steel is chemically bonded with a prime coat of gray baked-on electrostatic paint.

Hinge

Continuous hinge is steel with stainless steel pin, mounted on the long side on 12" x 24" and 24" x 36" sizes.

Lock

Flush, screwdriver-operated with steel cam. Available with allen head or spanner head lock on special order. Cylinder lock, with 2 keys furnished replacing one cam lock, is available at an extra charge.

Packing

One per carton.

Style: AT

Guide Specification

Milcor AT Access Doors for acoustical tile ceilings provide a virtually concealed installation.

Recessed door panels receive a covering of acoustical tile, leaving only the narrow frame edges exposed to keep acoustical surfaces intact, and contribute to sound control and appearance. Sizes are as indicated on page 9.

Material

16-gauge steel frame with 18-gauge steel door panel. 24" x 24" and larger panels are reinforced.

Finish

Steel is chemically bonded with a gray prime coat of baked-on electrostatic powder.

Hinge

Continuous hinge is steel with stainless steel pin. Mounted on long side on 12" x 24" and 24" x 36" sizes.

Lock

Flush, screwdriver-operated with steel cam. Number varies with size of door. Cylinder lock, with two keys furnished in place of one cam lock, available at slight extra charge. Plastic grommet protects the hole made in tile for access to cam lock control.

Packing

One per carton.

Style: ATR

Guide Specification

Milcor ATR Access Doors for suspended drywall ceilings provide service access that fits within ceiling grid support system. 1 $\frac{1}{2}$ " recessed door is filled with matching materials and finished flush with the surrounding ceiling surface. The installed unit is virtually concealed. Sizes are as indicated on page 9.

Material

16-gauge steel frame with 18-gauge recessed steel door panel. Reinforced added on 24" x 24" and larger panels.

Finish

Steel is chemically bonded with a prime coat of baked-on electrostatic powder. The exposed edges have a prime coat of gray, rust-inhibitive paint.

Hinge

Continuous-type steel with stainless steel pin.

Lock

Flush, screwdriver-operated with steel cam. Number varies with sized of door. Plastic grommet is furnished to protect the hole made in fill-in wallboard for access to cam lock.

Packing

One per carton.

Style: UFR

Guide Specification

The Milcor Fire-Rated Door may be specified with confidence for service access to utilities in the walls of stairwells, shafts, corridors and all other wall areas where fire rating are stipulated by code requirements. The same protection is provided when the universal fire rated door is installed in fire-rated ceilings. Sizes are as indicated on page 10.

Material

Prime-painted steel or stainless steel: 16-gauge frame with 20-gauge door panel.

Insulation

2" mineral fiber insulation sandwiched between inner and outdoor panel.

Finish

Steel is chemically bonded with a gray prime coat of baked-on electrostatic powder. Brilliant white, gold sand and jet black are also available. Stainless steel has a satin finish.

Hinge

Continuous type; steel with stainless steel pin.

Automatic Panel Closer

Strong coil spring makes door self-closing and self-latching.

Lock

Self-latching, one per door on sizes 8"x 8" through 36"x 36"; two per door on larger sizes. Flush mounted paddle latch and locking system with flush, key-operated cylinder lock with two keys. All doors have interior latch release mechanism.

Masonry Anchors

Attached at factory as standard. Four or eight per door depending on door size.

Packing

One per carton.

Style: NIFR**Guide Specification**

The Milcor Non-insulated Fire-Rated Door may be specified with confidence for service access to utilities in the walls of stairwells, shafts, corridors and all other wall areas where fire-rated assemblies are stipulated by code requirement and temperature rise is not a factor. Sizes are as indicated on page 11.

Material

Prime-painted steel or stainless steel: 16-gauge frame with 20-gauge door panel.

Finish

Steel is chemically bonded with a gray prime coat of baked-on electrostatic powder. Brilliant white, gold sand and jet black are also available. Stainless steel has a satin finish.

Hinge

Continuous type, steel with stainless steel pin.

Automatic Panel Closer

Strong coil spring makes door self-closing and self-latching.

Lock

Self-latching, one per door on sizes 8" x 8" through 36" x 36"; two per door on larger sizes. Flush mounted paddle latch and locking system with flush, key-operated cylinder lock with two keys. All doors have interior latch release mechanism.

Masonry Anchors

Attached at factory as standard. Four or eight per door depending on door size

Packing

One per carton.

Style: CF**Guide Specification**

Milcor CF flush style aluminum ceiling access doors provide convenient access to services or controls located in ceilings. Units are installed by bolting the hanger brackets to hanger rods furnished and installed by the contractor.

The aluminum cover and frame with stainless steel hinges produce a strong, lightweight, corrosion-resistant assembly. Covers open upward smoothly on continuous hinges. Downward opening models are available. Sizes are as indicated on page 12

Material

$\frac{1}{4}$ " extruded aluminum and $\frac{1}{8}$ " aluminum plate.

Finish

Mill Finish Aluminum

Hinge

Stainless steel.

Construction

Frames are $\frac{1}{4}$ " aluminum extrusions assembled with mitered and welded corners. Hanger brackets with pre-drilled $\frac{7}{16}$ " holes are welded near each corner on the hinge side and opposite side.

Covers are $\frac{1}{8}$ " aluminum mounted to frame with continuous hinge. Aluminum edging for a continuous hinge.

Lock

For downward swing model only, covers have an automatic snap latch with removable outside handle.

Packing

One per carton.

Style: CT**Guide Specification**

Milcor recessed aluminum ceiling access doors provide convenient access to services or controls located in ceilings. Model CT is designed for uses in suspended tile ceilings. Units are installed by bolting the hanger brackets to hanger rods furnished and installed by the contractor.

The aluminum cover and frame with stainless steel hinges produce a strong, lightweight, corrosion-resistant assembly. Covers operate smoothly on continuous hinges, opening upward or, if desired, downward.

Model CT has a recessed cover to accept $\frac{3}{4}$ " ceiling tile, with the frame flange serving as a support ledge for the tile. Sizes are as indicated on page 12.

Material

$\frac{1}{4}$ " extruded aluminum and $\frac{1}{8}$ " aluminum recessed panel.

Finish

Mill Finish Aluminum.

Hinge

Stainless Steel.

Construction

Frames are $\frac{1}{4}$ " aluminum extrusion assembled with mitered and welded corners. Hanger brackets with pre-drilled $\frac{7}{16}$ " holes are welded near each corner on the hinge side and opposite side.

Covers are $\frac{1}{8}$ " aluminum panels mounted to the frame with a continuous hinge. Aluminum edging on panels provides a $\frac{3}{4}$ " recess for tile.

Lock

For downward swing model only, covers have an automatic snap latch with removable outside handle.

Packing

One per carton.

Security or Detention

Guide Specification

These access doors provide critical secure service access in wall and ceiling applications. Special stainless steel butt hinge prevents removal of hinge. Prepared for installation of detention lock. Sizes are as indicated on page 13.

Material

3/16" x 2" x 2" frame angle, welded with joints ground smooth. 10-gauge steel door panel.

Finish

Steel is chemically bonded with a prime coat of baked-on electrostatic powder.

Hinge

Heavy-duty stainless steel, welded to door and frame.

Lock

Detention lock preparation only is standard. Optional detention-type deadbolt lock and/or tamperproof screws available when specified.

Sizes

Standard sizes are shown. Special sizes and special modifications can be fabricated upon request. Contact Milcor customer service for custom questions.

Packing

One per carton.

Versatile Valve Box

Guide Specification

Milcor Versatile Valve Boxes provide critical service access to valves in drywall, masonry or tile walls and offer superior resistance to corrosion. Sizes are as indicated on page 14.

Material

16-gauge Steel, Stainless Steel, or Galvanized Steel.

Finishes

These Milcor access doors are offered in corrosion-resistant, prime-painted and stainless steel surfaces. The prime-painted surface is factory-painted through an electro-static binding process with an ionized power paint and then thermo set in a curing cycle to eliminate runs and bubbles. This paintable surface can be used as is, or painted to suit specific décor. Brilliant white, gold sand and jet black finishes are also available. Stainless steel models in a satin finish are available for added corrosion resistance.

Hinge

Continuous type steel with stainless steel pins. Doors open to 175 degrees. Extracting pin from hinge leaf attached to panel permits panel removal.

Lock

Cylinder lock with two keys furnished. Available with cam lock, allen head or spanner head cam or mortise cylinder lock on special order.

Packing

One per carton.

MILCOR

SINCE 1902

Metal Access Doors

Technical Product Information

NOTES



Metal Access Doors

Technical Product Information

NOTES

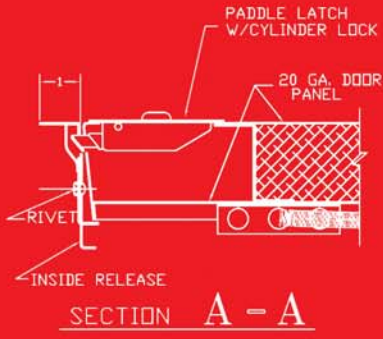
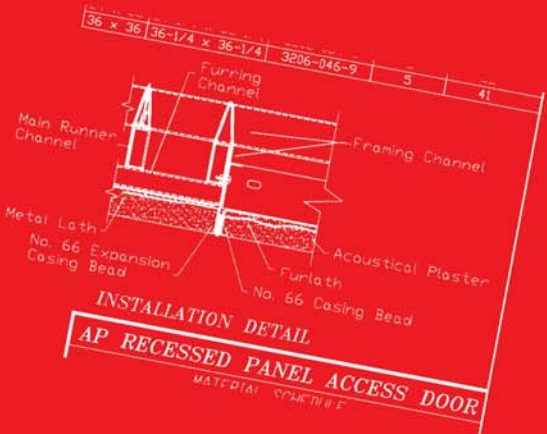
MILCOR

SINCE 1902

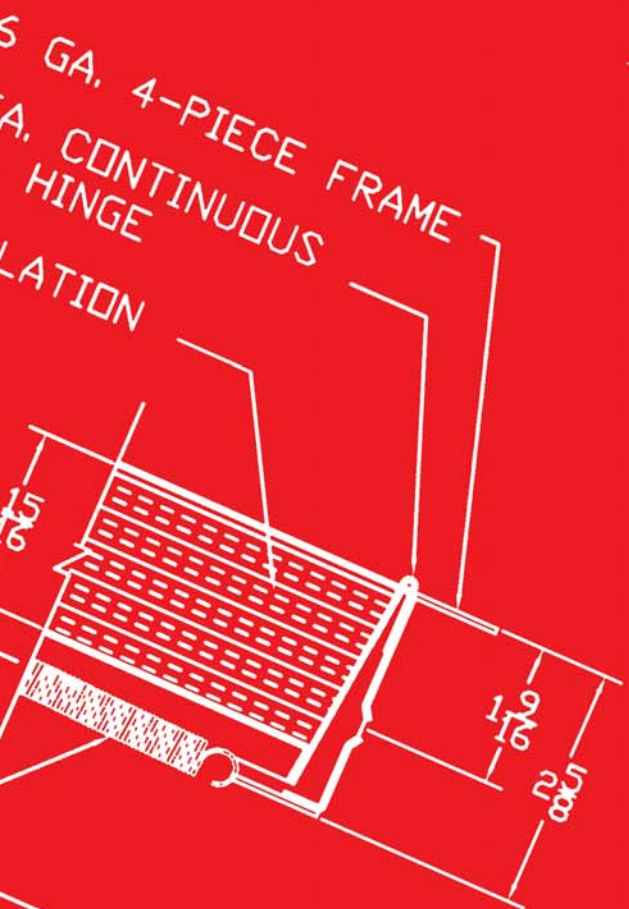
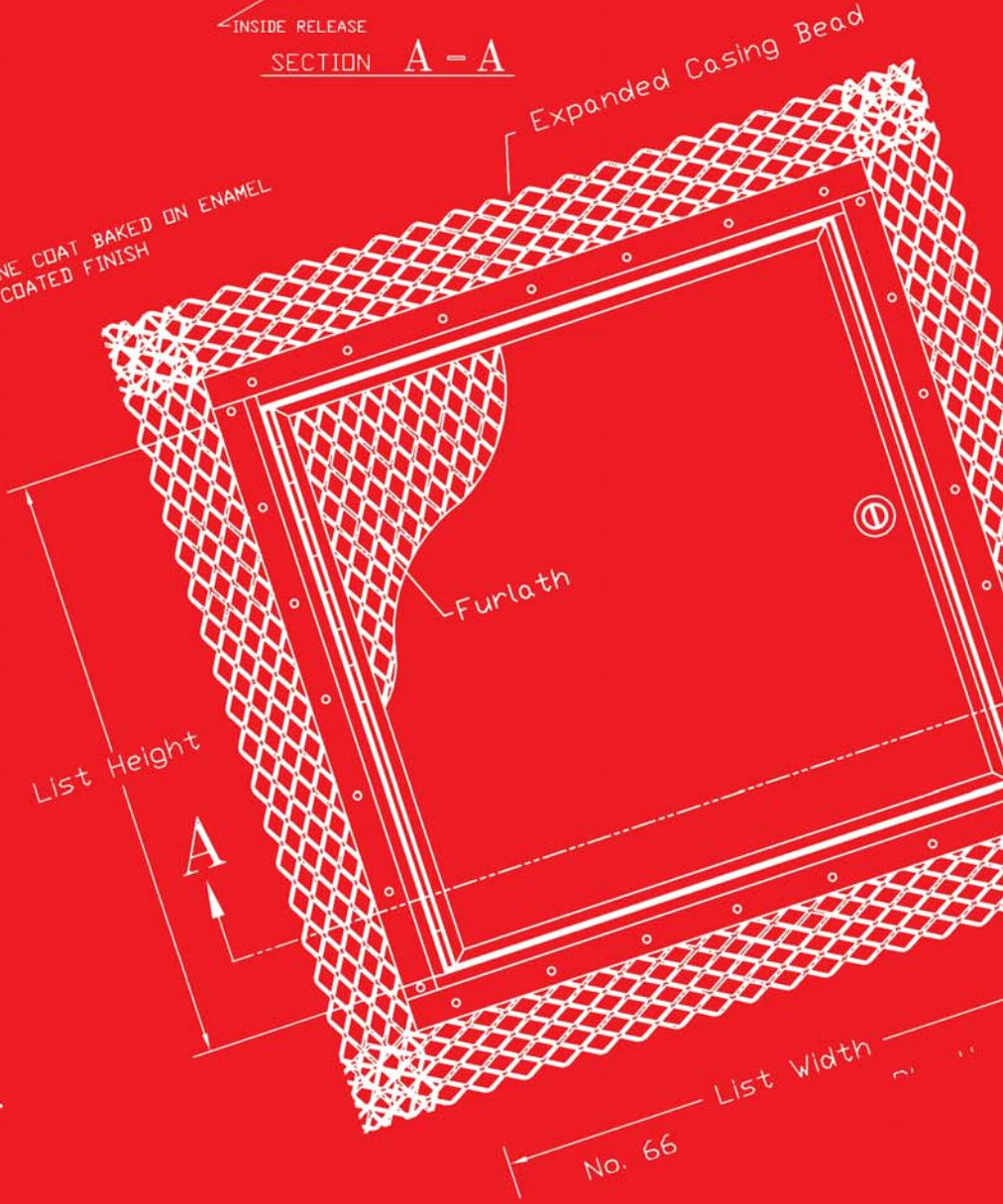
Metal Access Doors

Technical Product Information

NOTES



LIST FINISH: ONE COAT BAKED ON ENAMEL
POWDER COATED FINISH



EXTENSION SPRING
WALL & CEILING
CLOSURE DEVICE
B - B

FORM # 3001195

XXXX-XXX	MM-DD-YY
REVISION	DATE

CPG COMMERCIAL PRODUCTS GROUP
 815 KIMBERLY DRIVE CAROL STREAM, IL 60188 PHONE: 800-624-8642
 FAX: 866-466-9335 WWW.COMMERCIALPRODUCTSGROUP.COM

MILCOR TITLE: DOUBLE LEAF FLOOR DOOR ALUMINUM CONSTRUCTION

DWG. NO.: SUBMITTAL SHEET: 1 OF 1