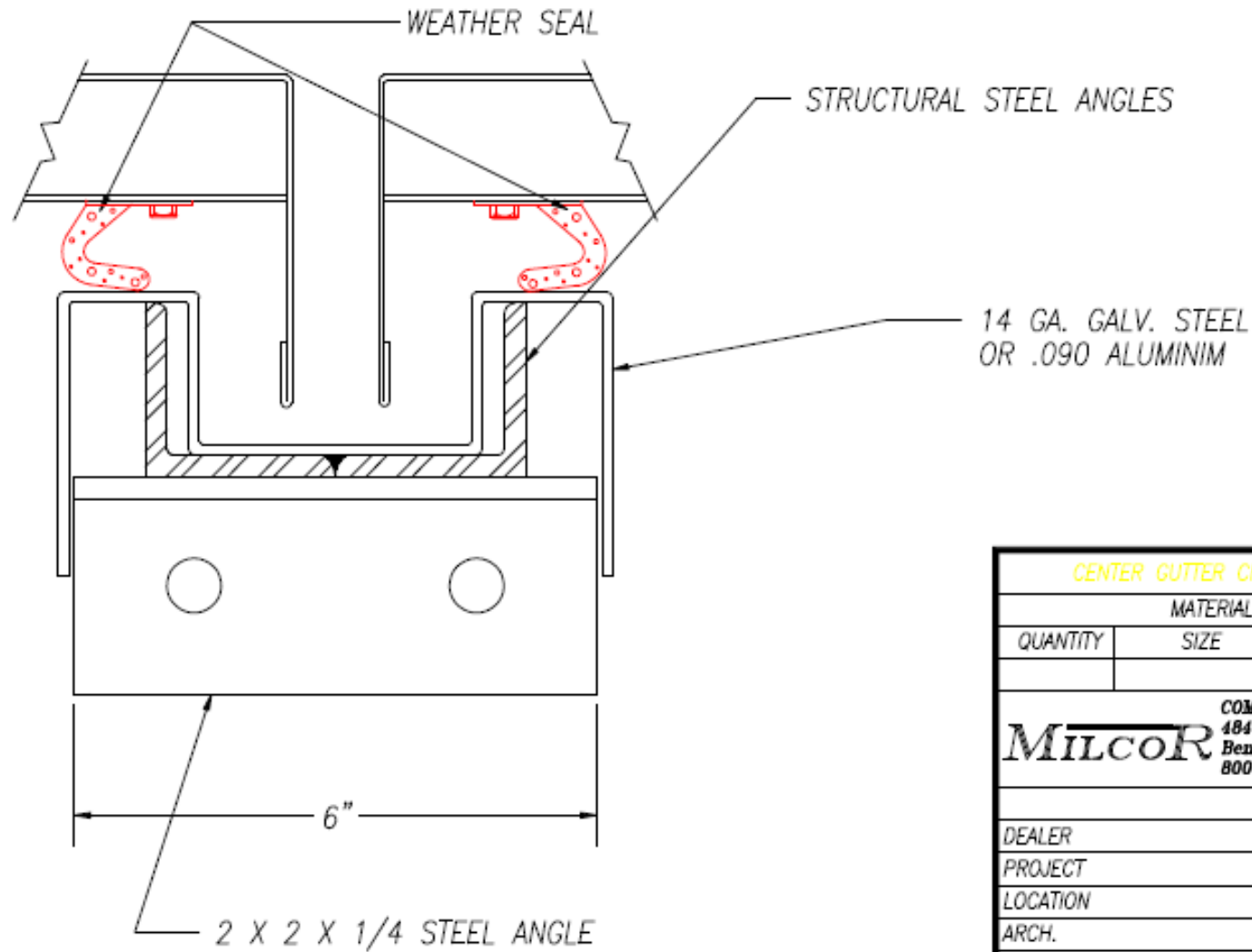


COVER		COUNTER FLASHING	
		MATERIAL SCHEDULE	
		GA. PRIMED STEEL	
		GA. GALV. PRIMED STEEL	
		ALUMINUM	
		OZ. COPPER	

R 4-6 DOUBLE LEAF ROOF HATCH			
MATERIAL SCHEDULE			
QUANTITY	SIZE	COVER	FRAME
MilcoR COMMERCIAL PRODUCTS GROUP 484 Thomas Drive Bensenville, IL 60106 800 624-8642 fax- 630 766-5259			
DEALER			
PROJECT			
LOCATION			
ARCH.			
CON'D			
DATE		DRAWN	
REV		JOB NO.	
\\ACAD13\HATCH\R_4-6		SHEET	

CENTER GUTTER CHANNEL FOR DOUBLE LEAF
ROOF HATCHES OTHER THAN ASTRAGAL TYPE



CENTER GUTTER CHANNEL FOR DOUBLE LEAF

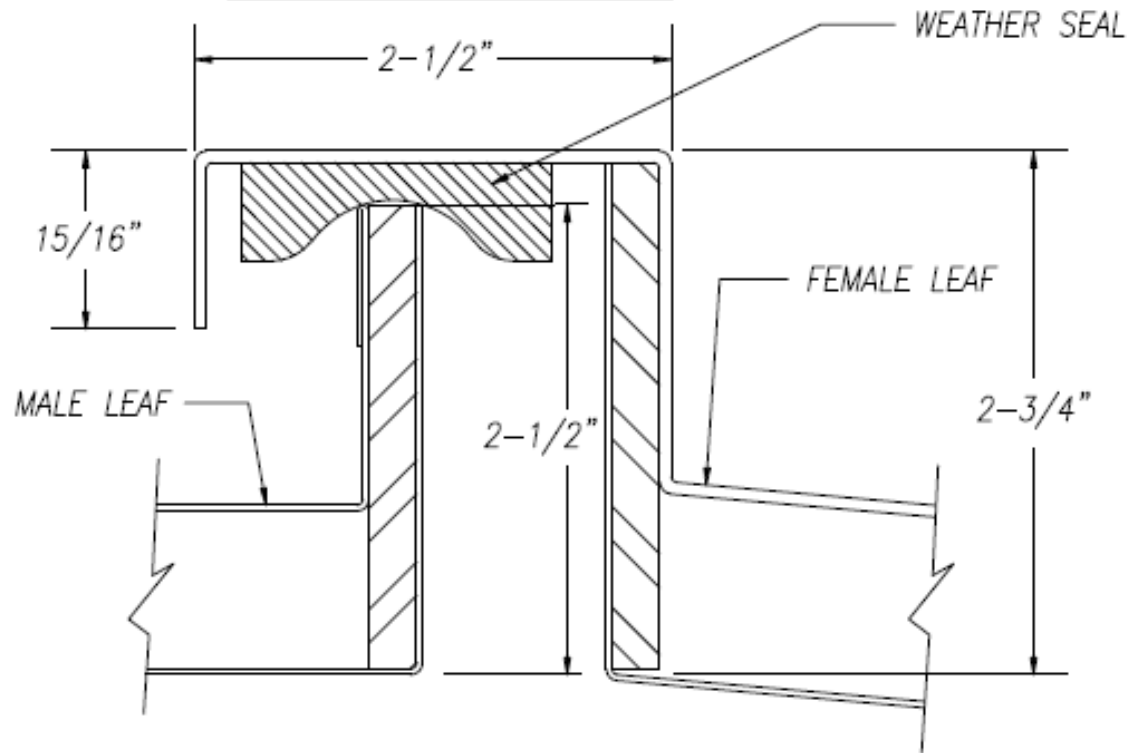
MATERIAL SCHEDULE

QUANTITY	SIZE	COVER	FRAME

MILCOR COMMERCIAL PRODUCTS GROUP
484 Thomas Drive
Bensenville, IL 60106
800 624-8642 fax: 630 766-5259

DEALER	
PROJECT	
LOCATION	
ARCH.	
CONT'D	
DATE	DRAWN
REV	JOB NO.
CGCDL	SHEET

ASTRAGAL SECTION OF DOUBLE LEAF



ASTRAGAL SECTION OF DOUBLE LEAF

MATERIAL SCHEDULE

QUANTITY	SIZE	COVER	FRAME

MILCOR
 COMMERCIAL PRODUCTS GROUP
 484 Thomas Drive
 Bensenville, IL 60106
 800 624-8642 Fax: 630 766-5259

DEALER

PROJECT

LOCATION

ARCH.

CONT'D

DATE

DRAWN

REV

JOB NO.

ASDL

SHEET