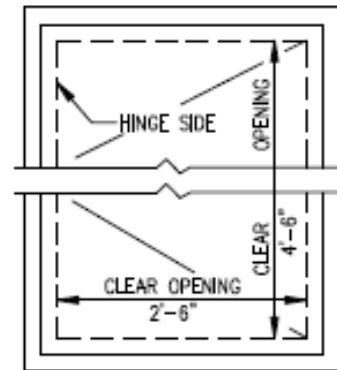
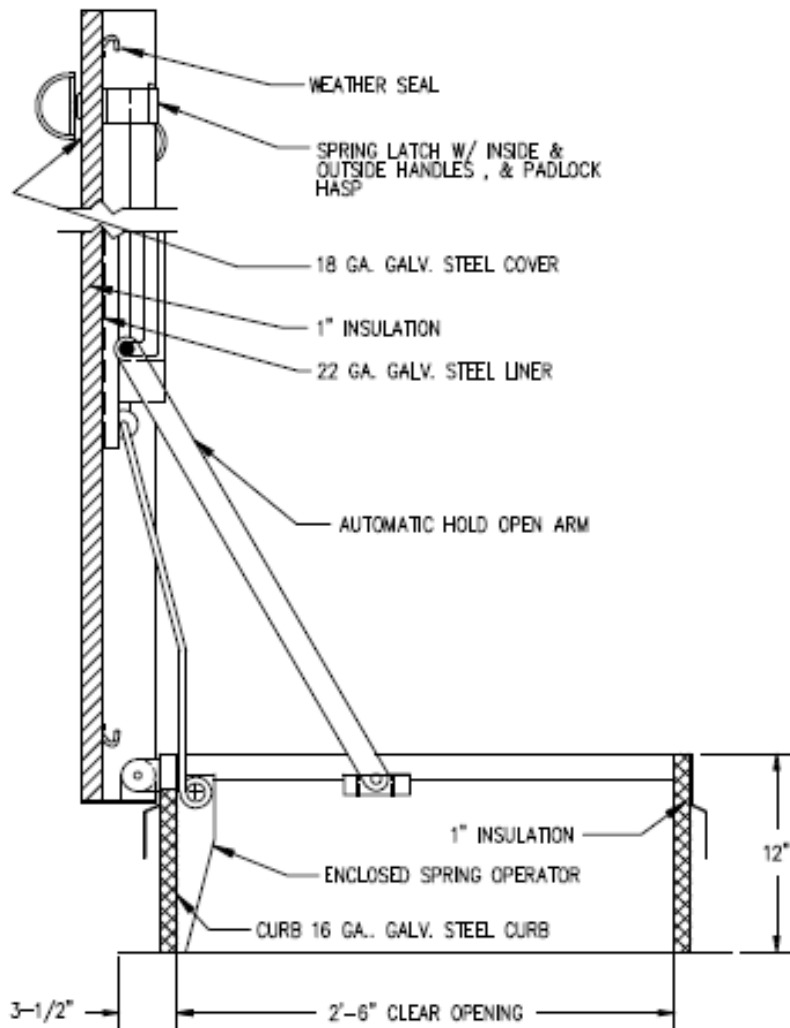
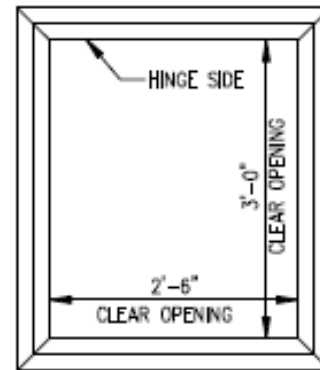
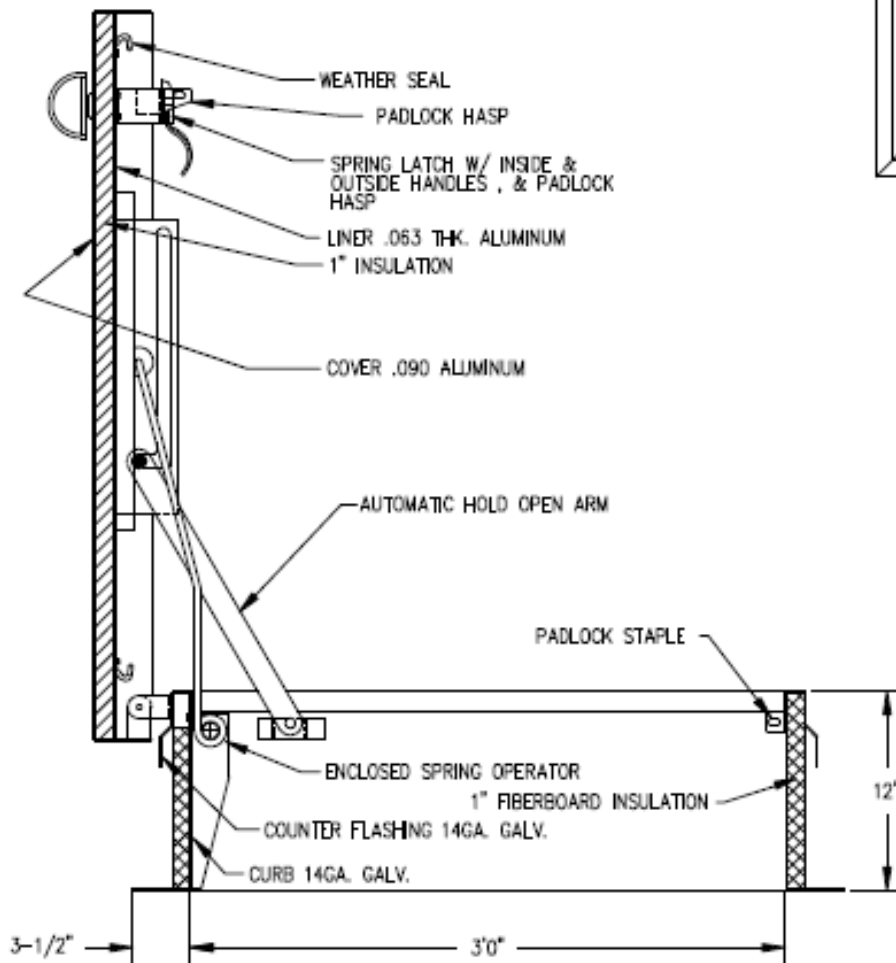


MATERIAL SCHEDULE			
COVER	CURB	COUNTER FLASHING	
			14 GA. PRIMED STEEL
X	X	X	14 GA. GALV. PRIMED STEEL
			11 GA. ALUMINUM
			48 OZ. COPPER

RB-1 ROOF HATCH			
MATERIAL SCHEDULE			
QUANTITY	SIZE	COVER	FRAME
	3'0" x 2'6"	14 GA.	14 GA.
<b>MilcoR</b> COMMERCIAL PRODUCTS GROUP 484 Thomas Drive Bensenville, IL 60106 phone: (800) 624-8642 fax: (630) 766-0250			
DEALER			
PROJECT			
LOCATION			
ARCH.			
CONT'D			
DATE		DRAWN	
REV		JOB NO.	
SHEET			

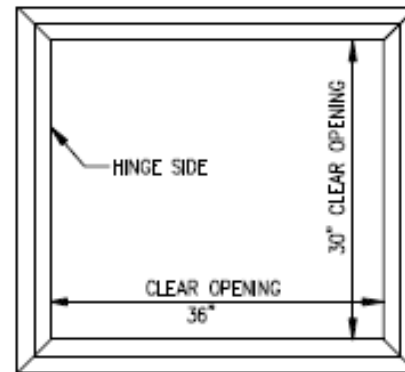
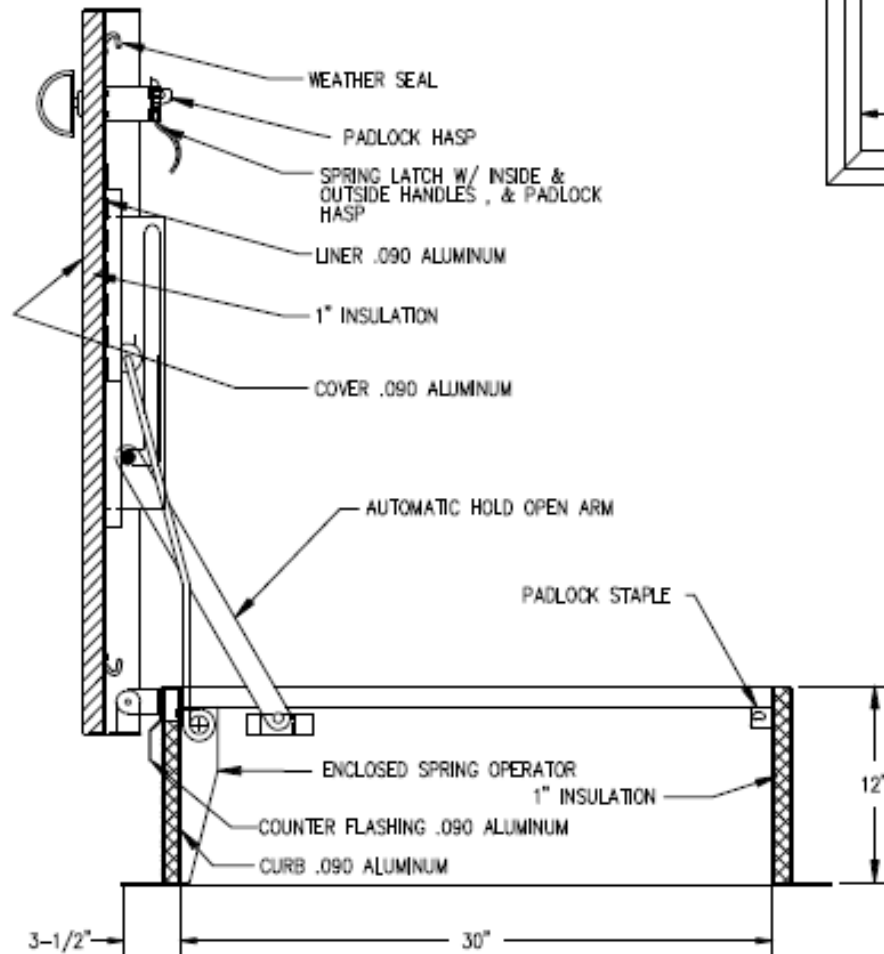


RBS-2 ROOF HATCH			
MATERIAL SCHEDULE			
QUANTITY	SIZE	COVER	FRAME
	2'6" X 4'6"	18 GA. GALV.	16 GA. GALV.
<b>MILCOR</b> COMMERCIAL PRODUCTS GROUP 484 Third St. Bossierville, L. 71026 phone: (800) 624-8642 fax: (630) 786-5259			
DEALER			
PROJECT			
LOCATION			
ARCH.			
CON'D			
DATE		DRAWN	
REV		JOB NO.	
SHEET			



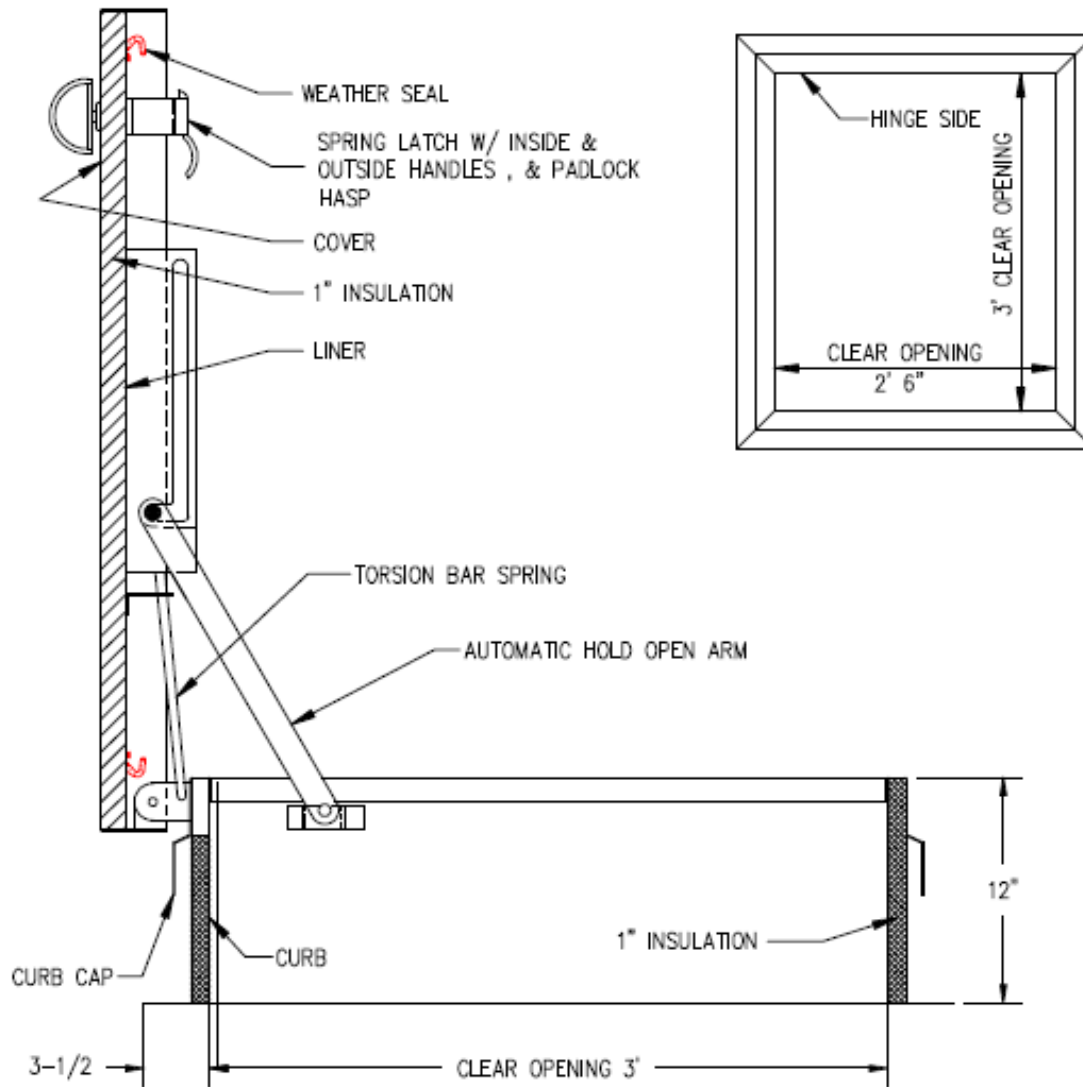
MATERIAL SCHEDULE			
COVER	CURB	COUNTER FLASHING	
X	X		14 GA. PRIMED STEEL
			16 GA. GALV. PRIMED STEEL
X			.090 THK. ALUMINUM
			48 OZ. COPPER

RC-1 ROOF HATCH			
MATERIAL SCHEDULE			
QUANTITY	SIZE	COVER	FRAME
	3'0" x 2'6"	.090THK. ALUM	14GA. GALV.
<b>MILCOR</b> COMMERCIAL PRODUCTS GROUP 484 Thomas Drive Bensenville, IL 60106 phone: (800) 624-8842 fax: (830) 766-5259			
DEALER			
PROJECT			
LOCATION			
ARCH.			
CONT'D			
DATE	DRAWN		
REV	JOB NO.		
	SHEET		



MATERIAL SCHEDULE			
COVER	CURB	COUNTER FLASHING	
			14 GA. PRIMED STEEL
			.063 THK. ALUMINUM
X	X	X	11 GA. ALUMINUM
			48 OZ. COPPER

RD-1 ROOF HATCH			
MATERIAL SCHEDULE			
QUANTITY	SIZE	COVER	FRAME
	3'-0" x 2'-6"	.090	.090
COMMERCIAL PRODUCTS GROUP 484 Thomas Drive Bensenville, IL 60106 phone: (800) 624-8642 fax: (830) 756-5259			
DEALER			
PROJECT			
LOCATION			
ARCH.			
CONTD			
DATE		DRAWN	
REV		JOB NO.	
SHEET			



COVER	CURB	COUNTER FLASHING	MATERIAL SCHEDULE
			PRIMED STEEL
			GALV. PRIMED STEEL
			ALUMINUM

RS-1 ROOF HATCH			
MATERIAL SCHEDULE			
QUANTITY	SIZE	COVER	FRAME
<b>MILCOR</b> COMMERCIAL PRODUCTS GROUP 484 Thomas Drive Bensenville, IL 60106 800 624-8642 fax- 630 766-5259			
DEALER			
PROJECT			
LOCATION			
ARCH.			
CONT'D			
DATE		DRAWN	
REV		JOB NO.	
\\ACA013\HATCH\RS-1		SHEET	