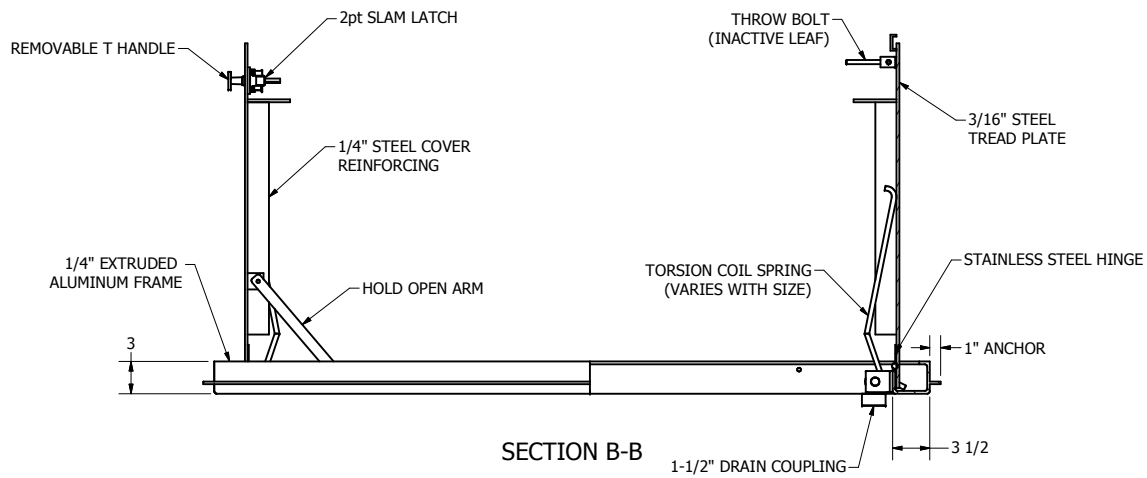
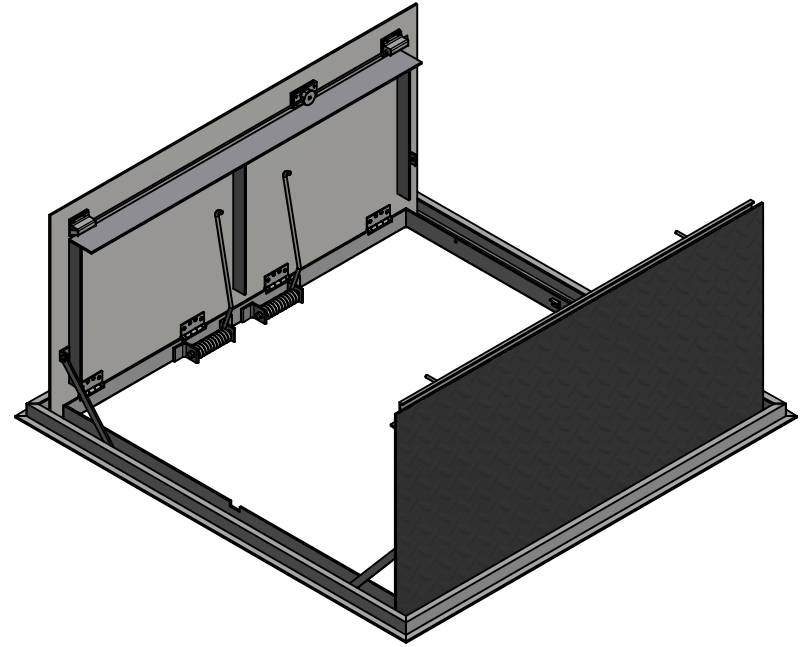


- NOTES:
- 1) POWDER COATED GRAY
 - 2) APPROVED BY FACTORY MUTUAL
 - 3) RATED FOR: 300psf LIVE LOAD
 - 4) MATERIAL:
 - FRAME - 1/4" EXTRUDED ALUMINUM
 - COVER - 3/16" STEEL TREAD PLATE
 - HINGES - 304 STAINLESS STEEL
 - HARDWARE - 304 STAINLESS STEEL W/EXCEPTIONS
 - 5) SIZES:
 - GA-6 2'10" X 3'4"
 - GA-7 3'4" X 3'10"
 - GA-8 3'10" X 3'10"
 - GA-9 4'0" X 4'0"
 - GA-10 4'0" X 6'0"
 - GA-11 5'0" X 5'0"



DRAWN	JM	8/22/2017	Hart & Cooley Inc.	
CHECKED			5030 Corporate Exchange Blvd. SE Grand Rapids, MI. 49512 Ph: 800-624-8642	
QA			TITLE	
MFG			GA DBL LEAF SIDEWALK DOOR	
APPROVED			SIZE	DWG NO
			C	SUBMITTAL
			SCALE	SHEET 1 OF 1
				REV