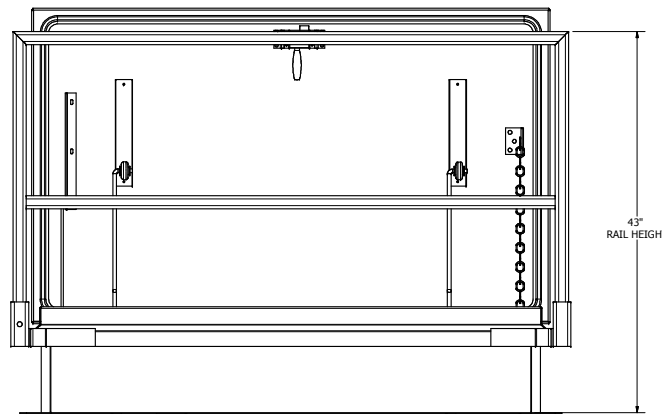
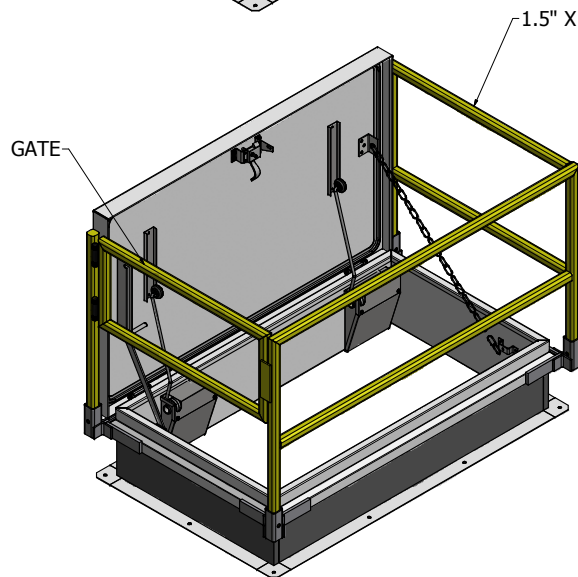


**SIDE FACING CHAIN OR GATE
USED FOR HATCH SIZES:
(WIDTH X LENGTH)
2'6"X4'6"
2'6"X8'0"
SPECIALS WITH LENGTH >4'0"**

*** POWDER COATED SAFETY YELLOW ***



SAFETY RAIL W/ CHAIN

**ORDER WILL NOT BE RELEASED FOR FABRICATION
UNTIL SIGNED COPY IS RECEIVED.**

VERIFICATION AND APPROVAL OF GENERAL ARRANGEMENT AND
OVERALL DIMENSIONS FOR THIS DOCUMENT ARE REQUIRED BEFORE
THE ORDER IS ENTERED FOR MANUFACTURING.

APPROVAL SIGNATURE _____

TITLE HELD _____

DATE OF APPROVAL _____

DRAWN CMD	4/17/2015	Hart & Cooley Inc. 5030 Corporate Exchange Blvd. SE Grand Rapids, MI. 49512 Ph: 800-624-8642 Fax: 855-549-2674 www.hartandcooleyinc.com	
CHECKED	MILCOR	TITLE	
QA	TOLERANCE UNLESS SPECIFIED	SAFETY RAIL SIDE FACING GATE/CHAIN	
RFQ	.XXX ± 0.005"	SIZE	DWG NO
APPROVED	.XX ± 0.01"	D	REV
	FRACT. ± 1/16"	SCALE	SUBMITTAL
	ANGLES ± 1'		SHEET 1 OF 1