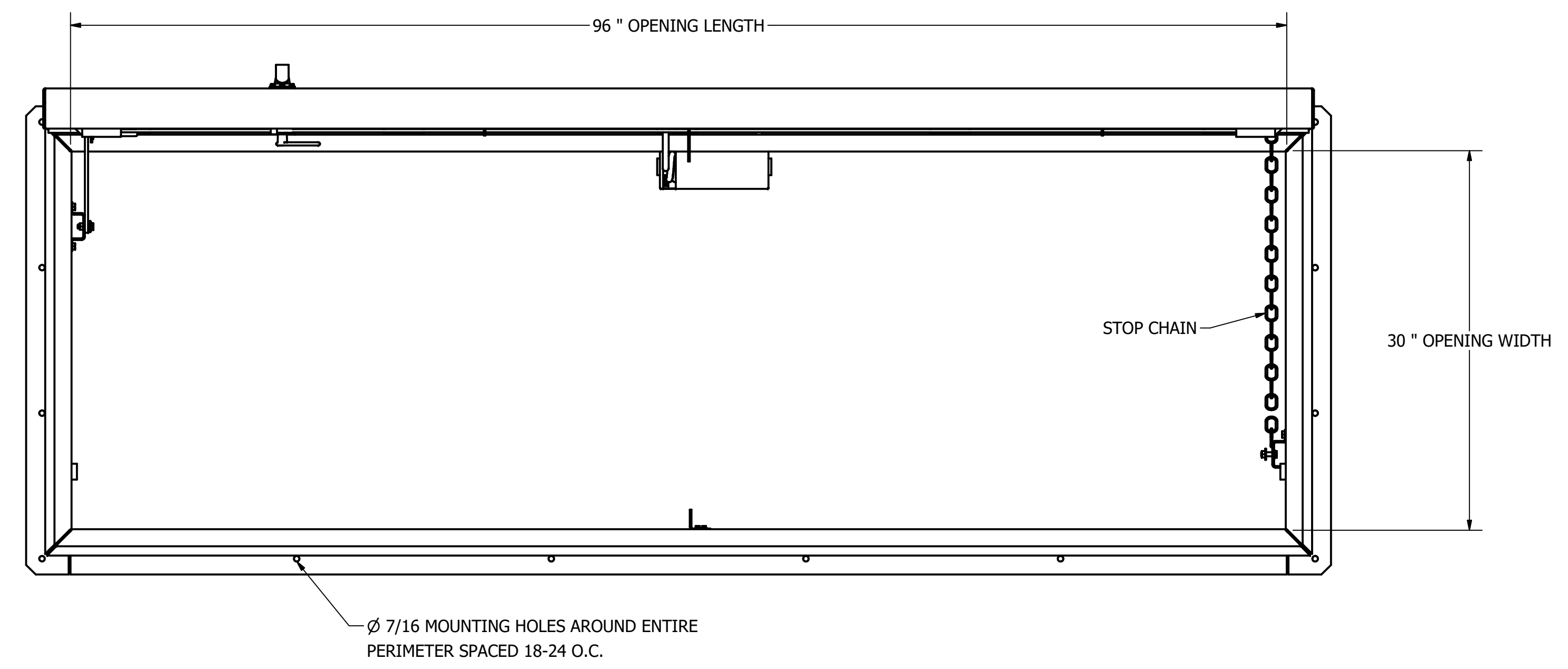


8 7 6 5 4 3 2 1



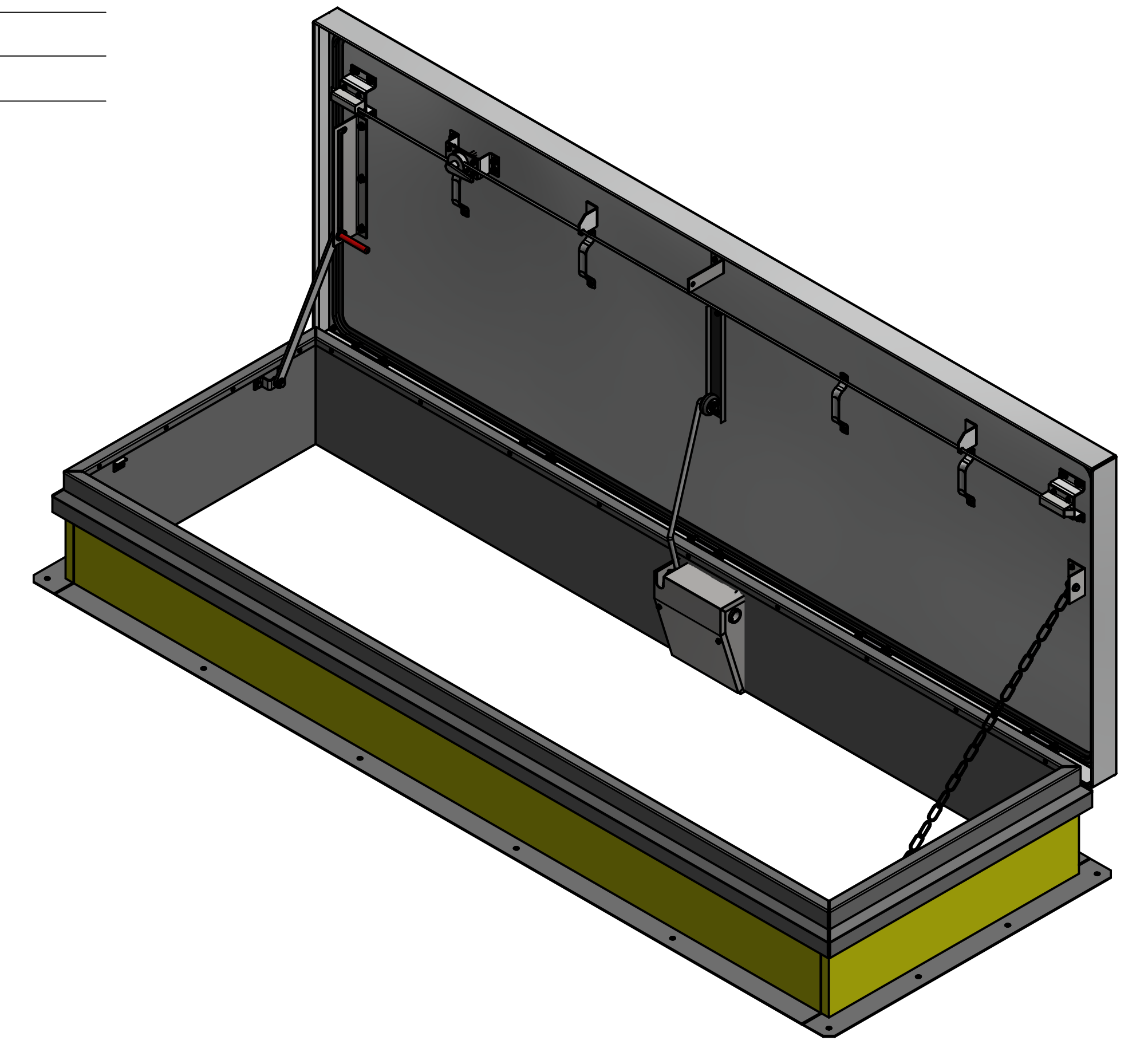
ORDER WILL NOT BE RELEASED FOR FABRICATION UNTIL SIGNED COPY IS RECEIVED.

VERIFICATION AND APPROVAL OF GENERAL ARRANGEMENT AND OVERALL DIMENSIONS FOR THIS DOCUMENT ARE REQUIRED BEFORE THE ORDER IS ENTERED FOR MANUFACTURING.

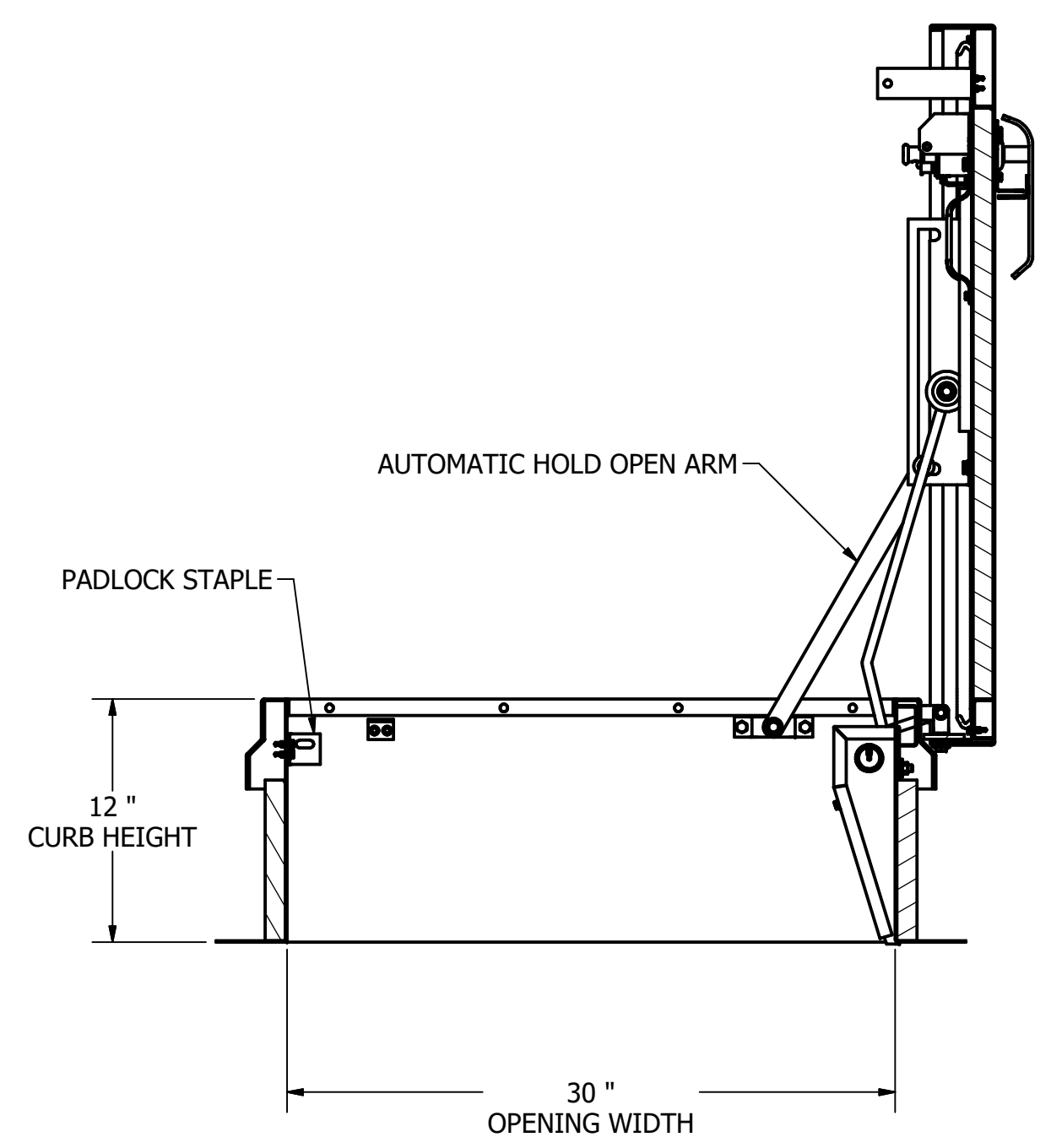
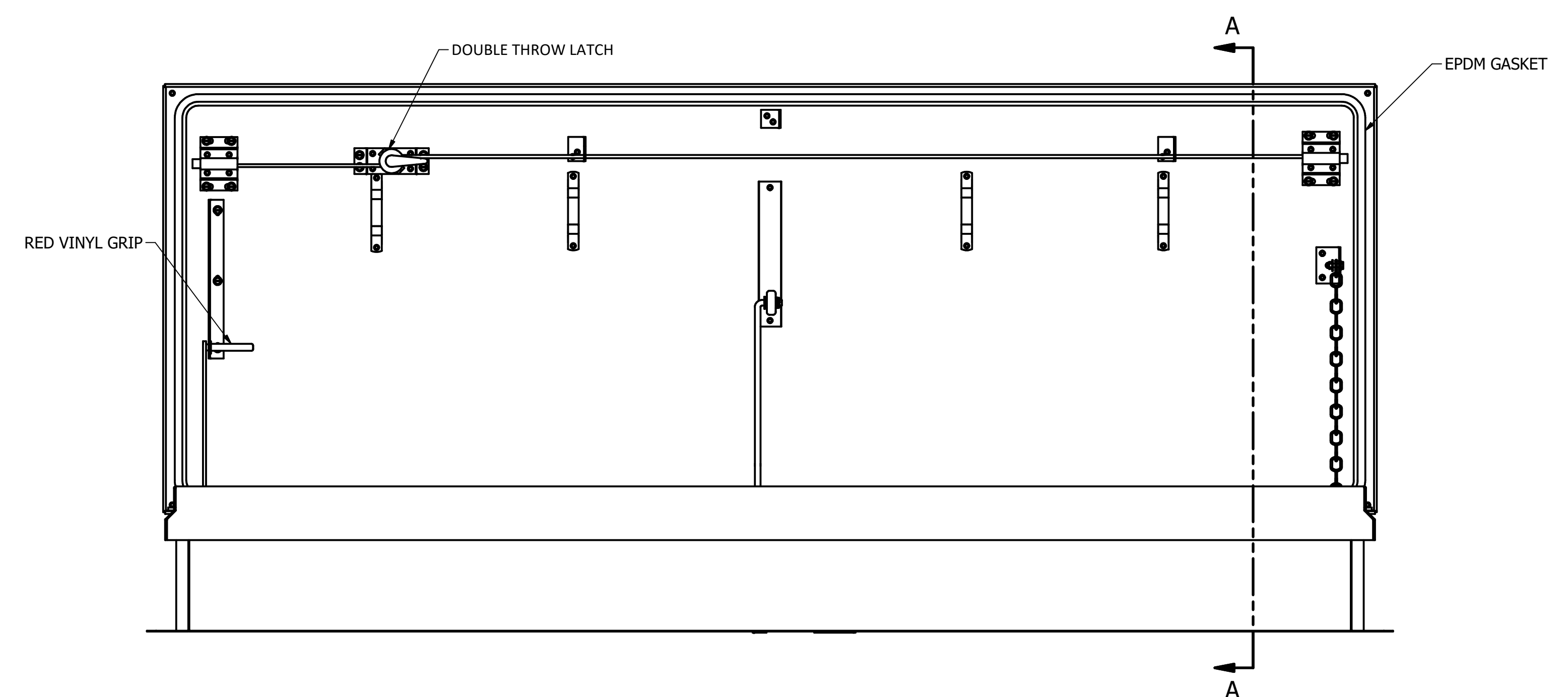
APPROVAL SIGNATURE _____

TITLE HELD _____

DATE OF APPROVAL _____



ISOMETRIC VIEW



SECTION A-A

- NOTES:
- SIZE: 2'-6" X 8'-0"
 - 1. CURB MATERIALS
 - a. 14 GA GALVANIZED CURB
 - 2. CURB CAP MATERIALS
 - b. 14 GA GALVANIZED CURB CAP
 - 3. CURB INSULATION THICKNESS AND MATERIALS
 - c. 1" RIGID FIBERBOARD CURB INSULATION
 - 4. COVER MATERIALS
 - d. 0.090 ALUMINUM COVER
 - 5. COVER LINER MATERIALS
 - e. 0.063 ALUMINUM COVER LINER
 - 6. COVER INSULATION THICKNESS AND MATERIALS
 - f. 1" FIBERGLASS COVER INSULATION
 - 7. COVER RATED FOR 40PSF LIVE LOAD
 - 8. COVER IS MILL FINISH
 - 9. CURB IS PAINTED WHITE
 - 10. ZINC PLATED HARDWARE

DRAWN	BC	5/15/2019	HART & COOLEY INC.	
CHECKED	CD		5030 Corporate Exchange Blvd. SE Grand Rapids, MI. 49512 Ph: 800-624-8642	
QA			TITLE	
MFG			RC-3 30X96 SINGLE LEAF ROOF HATCH	
APPROVED			SIZE	DWG NO
			D	3501-128-9
			SCALE	REV
				A
			SHEET 1 OF 1	

8 7 6 5 4 3 2 1