

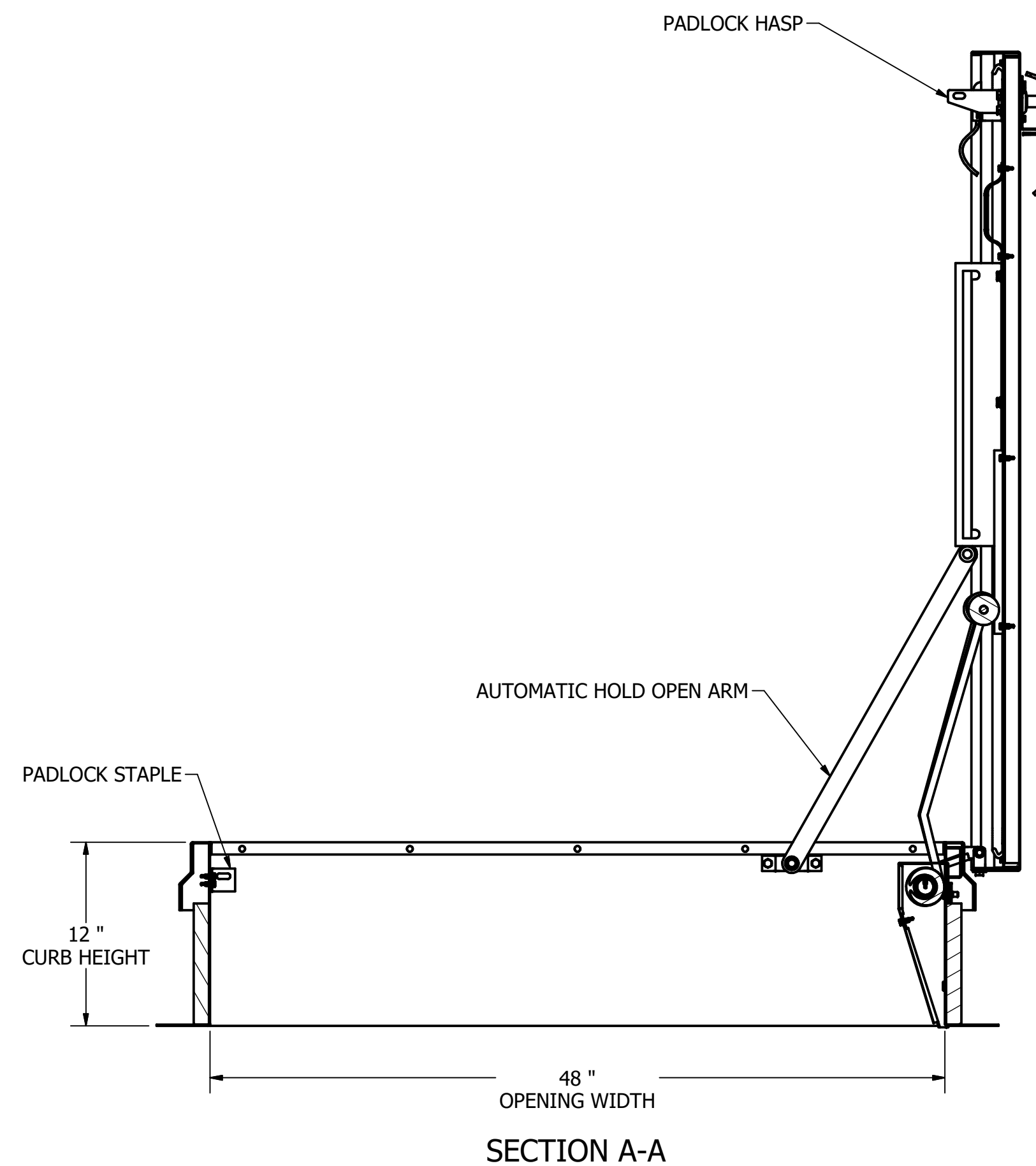
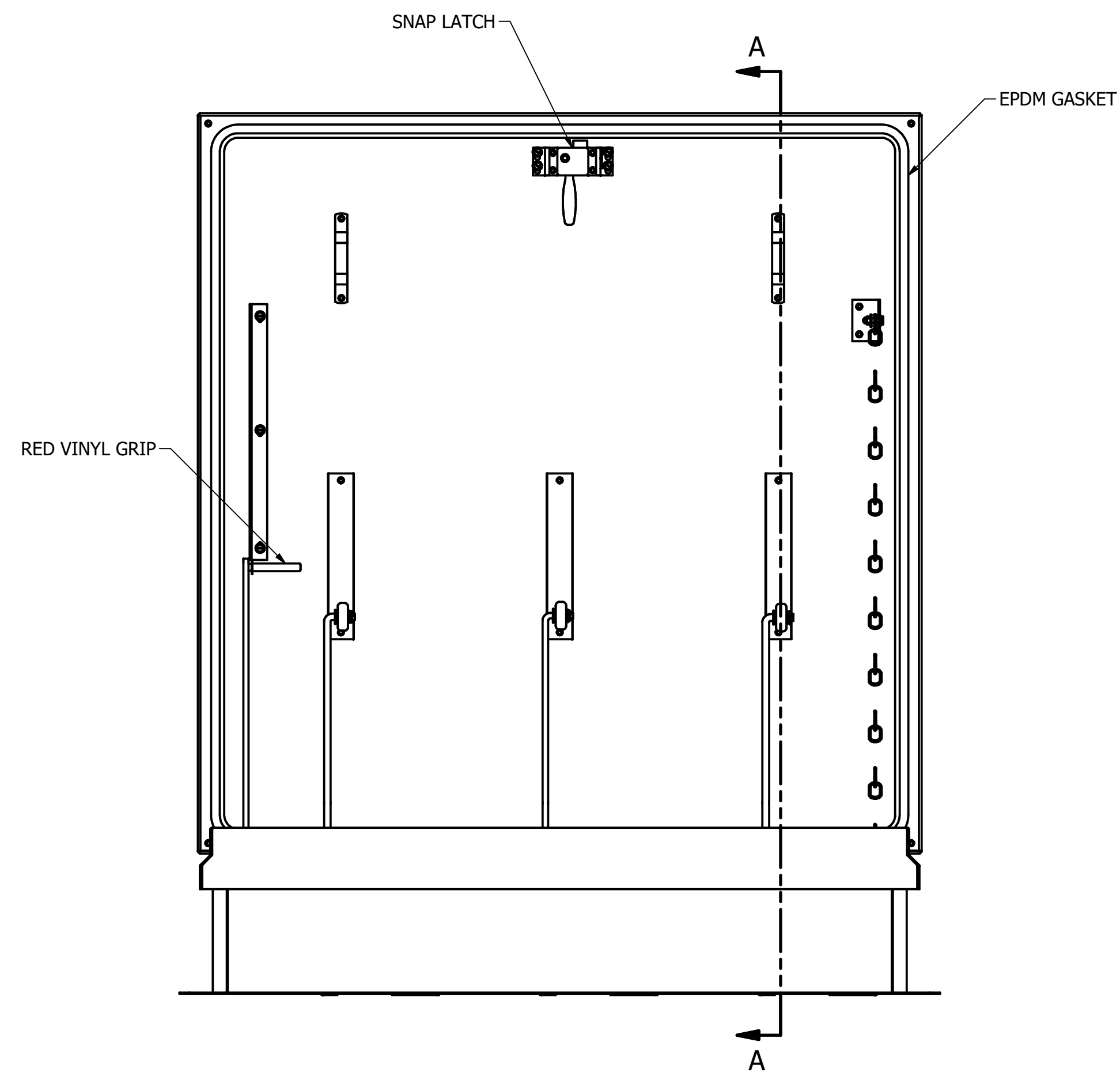
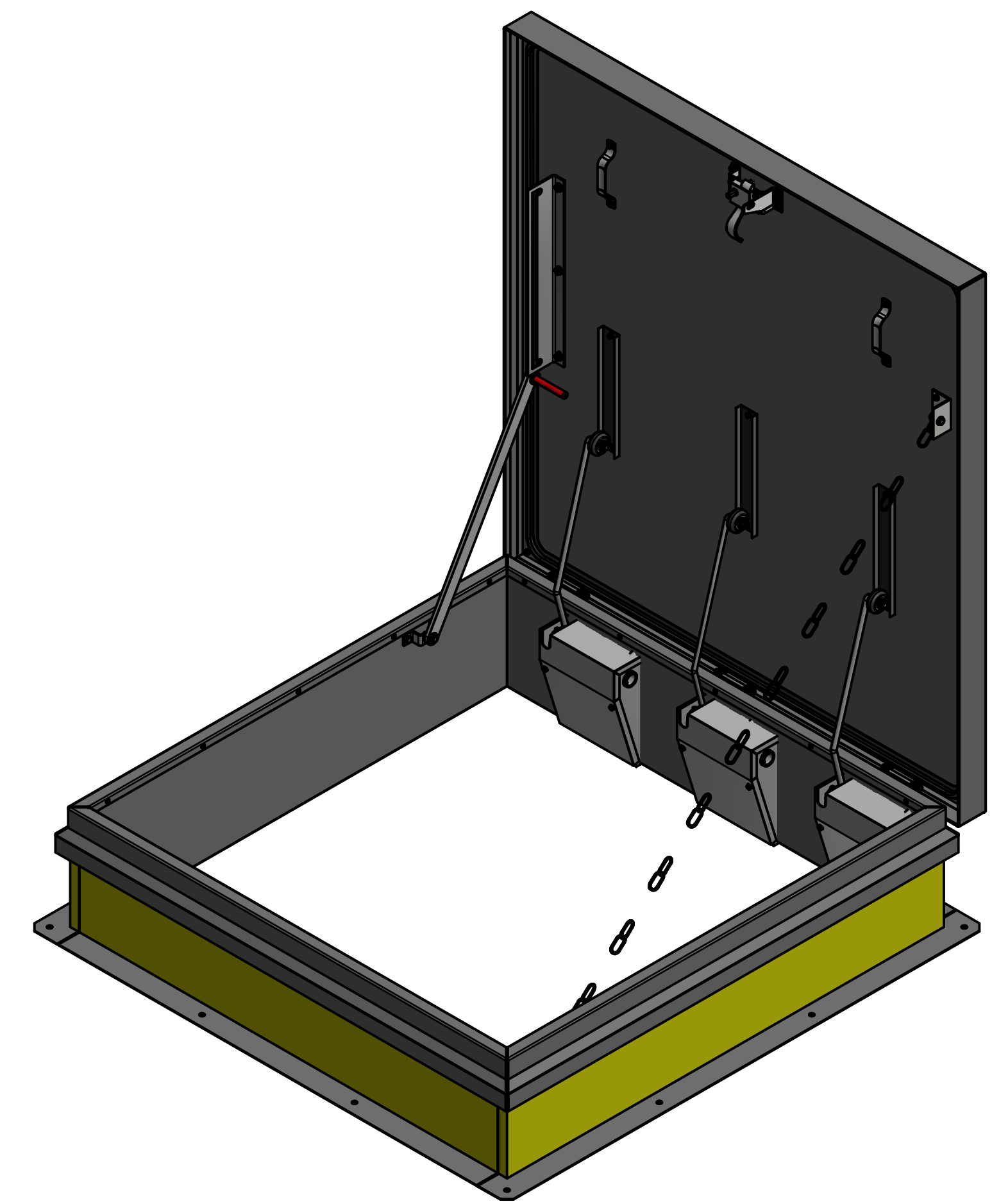
ORDER WILL NOT BE RELEASED FOR FABRICATION UNTIL SIGNED COPY IS RECEIVED.

VERIFICATION AND APPROVAL OF GENERAL ARRANGEMENT AND OVERALL DIMENSIONS FOR THIS DOCUMENT ARE REQUIRED BEFORE THE ORDER IS ENTERED FOR MANUFACTURING.

APPROVAL SIGNATURE \_\_\_\_\_

TITLE HELD \_\_\_\_\_

DATE OF APPROVAL \_\_\_\_\_



NOTES:

- SIZE: 4'-0" X 4'-0"
- 1. CURB MATERIALS
  - a. 14 GA GALVANIZED CURB
- 2. CURB CAP MATERIALS
  - b. 14 GA GALVANIZED CURB CAP
- 3. CURB INSULATION THICKNESS AND MATERIALS
  - c. 1" RIGID FIBERBOARD CURB INSULATION
- 4. COVER MATERIALS
  - d. 14 GA GALVANIZED COVER
- 5. COVER LINER MATERIALS
  - e. 22 GA GALVANIZED COVER LINER
- 6. COVER INSULATION THICKNESS AND MATERIALS
  - f. 1" FIBERGLASS COVER INSULATION
- 7. COVER RATED FOR 40PSF LIVE LOAD
- 8. COVER AND CURB ARE PAINTED WHITE
- 9. ZINC PLATED HARDWARE

DRAWN CDEWILDT	5/10/2019	HART & COOLEY INC. 5030 Corporate Exchange Blvd. SE Grand Rapids, MI. 49512 Ph: 800-624-8642	
CHECKED	<b>MILCOR</b>	TITLE	
QA	TOLERANCE UNLESS SPECIFIED	RB-4X4 48X48 SINGLE LEAF ROOF HATCH	
MFG	.XXX ± 0.005"	SIZE	DWG NO
APPROVED	.XX ± 0.01"	D	3501-304-9
	FRACT. ± 1/16"	SCALE	REV
	ANGLES ± 1'		A
		SHEET 1 OF 1	