

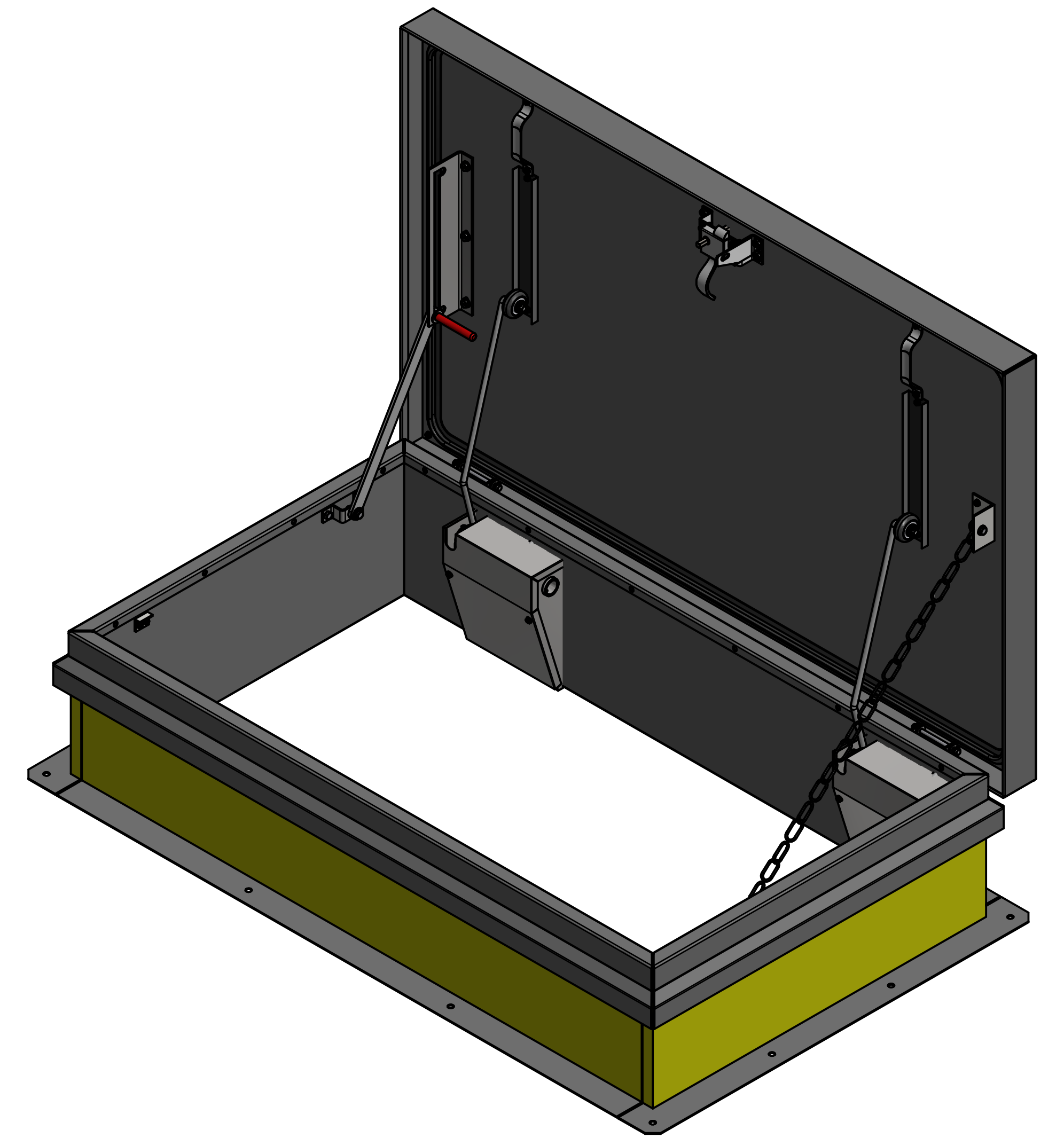
ORDER WILL NOT BE RELEASED FOR FABRICATION UNTIL SIGNED COPY IS RECEIVED.

VERIFICATION AND APPROVAL OF GENERAL ARRANGEMENT AND OVERALL DIMENSIONS FOR THIS DOCUMENT ARE REQUIRED BEFORE THE ORDER IS ENTERED FOR MANUFACTURING.

APPROVAL SIGNATURE _____

TITLE HELD _____

DATE OF APPROVAL _____

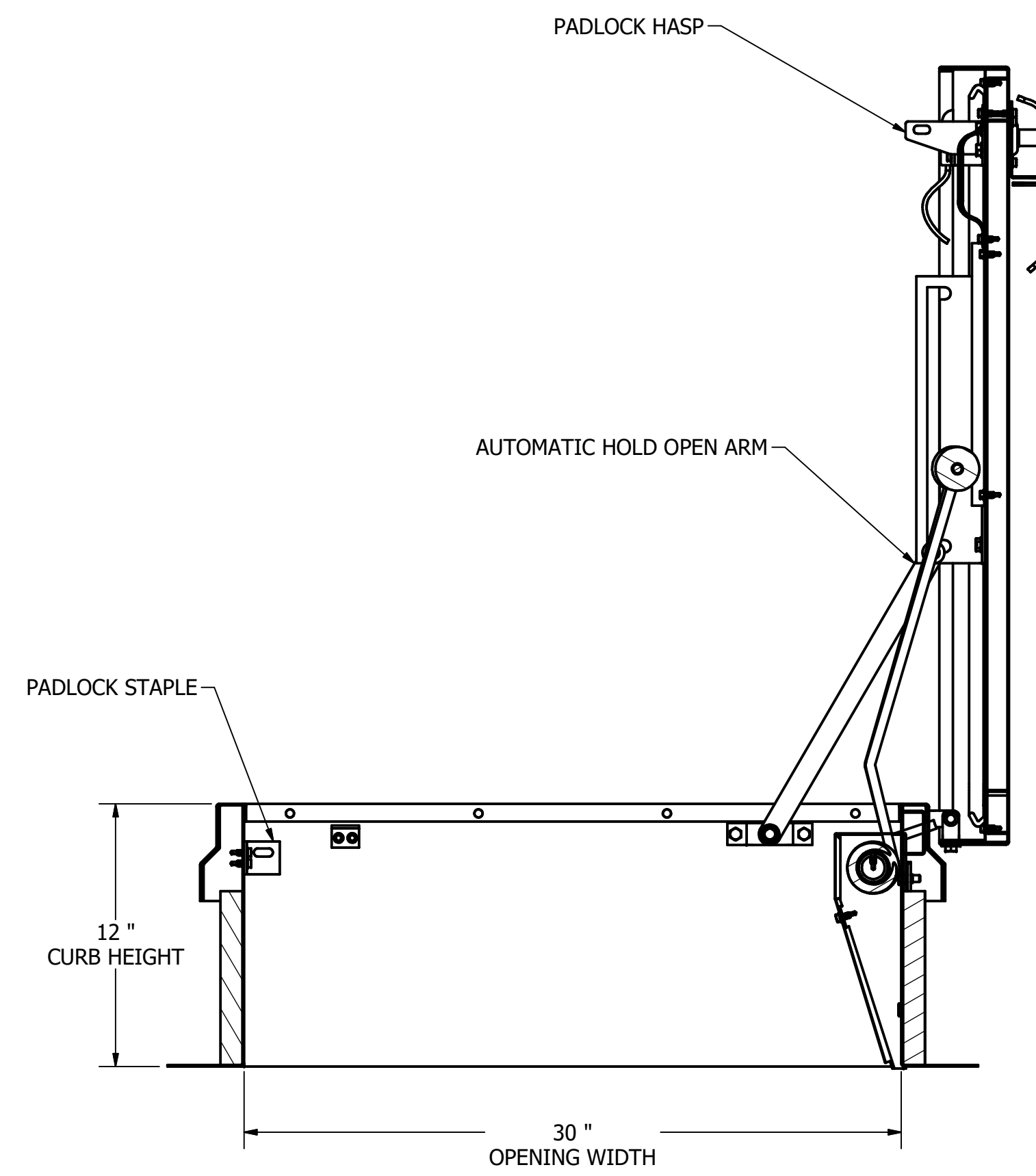
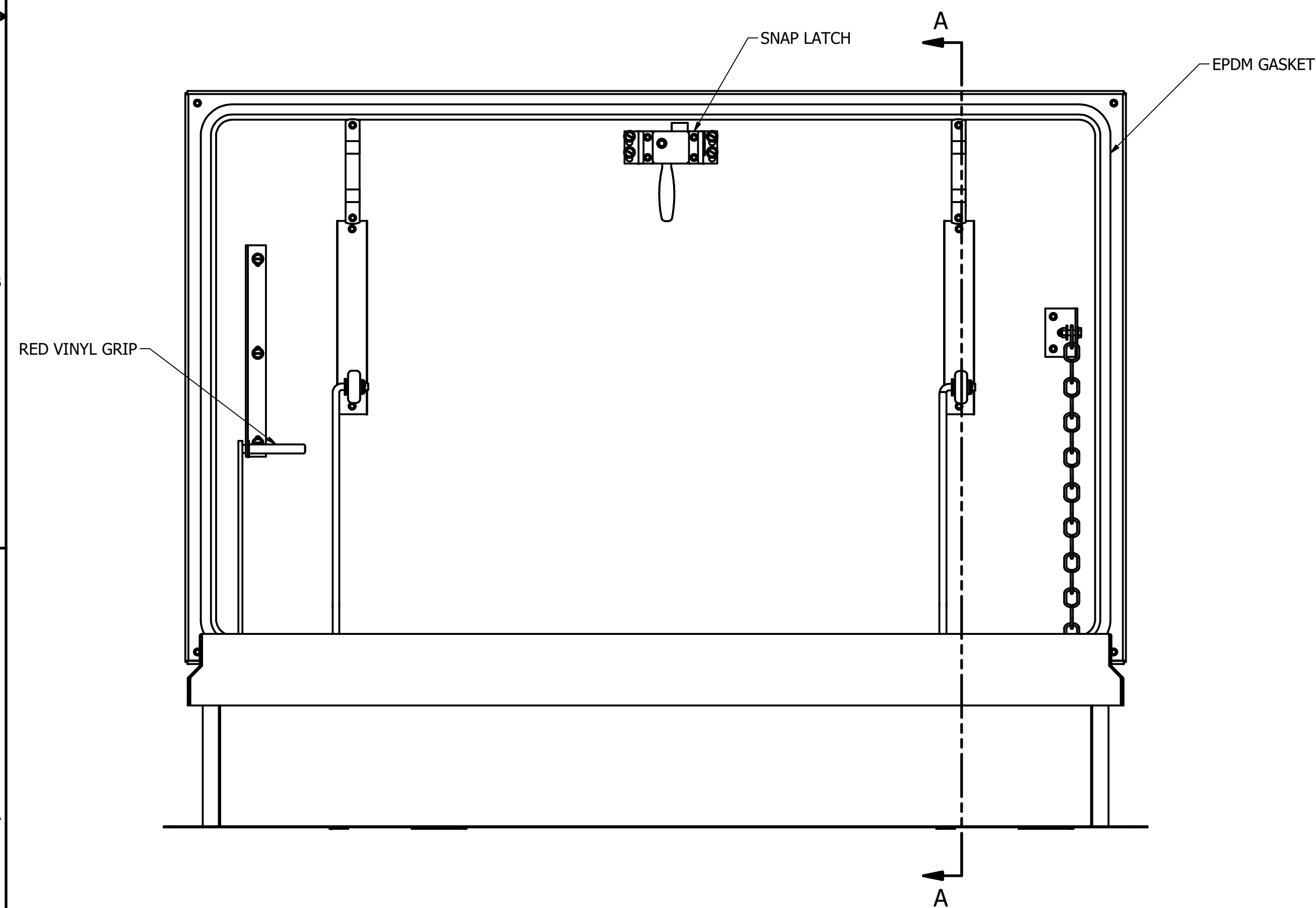


ISOMETRIC VIEW

NOTES:

SIZE: 2'-6" X 4'-6"

1. CURB MATERIALS
 - a. 14 GA GALVANIZED CURB
2. CURB CAP MATERIALS
 - b. 14 GA GALVANIZED CURB CAP
3. CURB INSULATION THICKNESS AND MATERIALS
 - c. 1" RIGID FIBERBOARD CURB INSULATION
4. COVER MATERIALS
 - d. 14 GA GALVANIZED COVER
5. COVER LINER MATERIALS
 - e. 22 GA GALVANIZED COVER LINER
6. COVER INSULATION THICKNESS AND MATERIALS
 - f. 1" FIBERGLASS COVER INSULATION
7. COVER RATED FOR 40PSF LIVE LOAD
8. COVER AND CURB ARE PAINTED WHITE
9. ZINC PLATED HARDWARE



DRAWN	CDEWILDT	5/7/2019	HART & COOLEY INC.	
CHECKED	MILCOR		5030 Corporate Exchange Blvd. SE Grand Rapids, MI. 49512 Ph: 800-624-8642	
QA		TOLERANCE UNLESS SPECIFIED	TITLE	
MFG		.XXX ± 0.005"	RB-2 30X54 SINGLE LEAF ROOF HATCH	
APPROVED		.XX ± 0.01"	SIZE	DWG NO
		FRACT. ± 1/16"	D	3501-115-9
		ANGLES ± 1'	SCALE	REV A
				SHEET 1 OF 1