

SECTION B = B
WALL & CEILING SELF CLOSURE DEVICE
EXTENSION SPRING

DOOR SIZE (W X H)	No. OF LATCHES	PRODUCT #	PART #'S
		PAINTED STEEL	STAINLESS STEEL
8 X 8	1	3217010	3217412
12 X 12	1	3217012	3217412
12 X 24	1	3217020	
14 X 14	1	3217014	
16 X 16	1	3217016	3217416
18 X 18	1	3217018	3217418
22 X 30	1	3217022	
22 X 36	1	3217027	
24 X 24	1	3217024	3217424
24 X 30	1	3217023	
24 X 36	1	3217028	3217428
24 X 48	2	3217031	
30 X 30	1	3217030	
32 X 32	1	3217032	
36 X 36	1	3217036	
36 X 48	2	3217038	
48 X 48	2	3217048	

STANDARD DOOR FEATURES AND NOTES

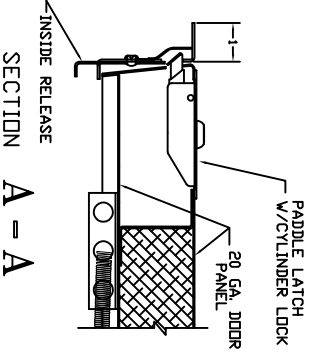
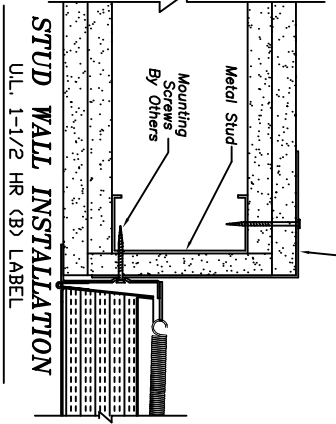
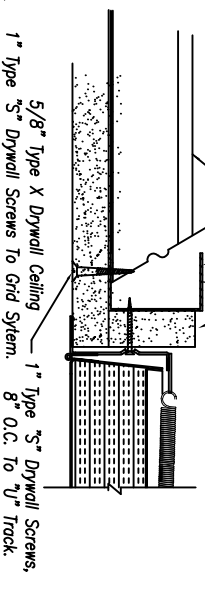
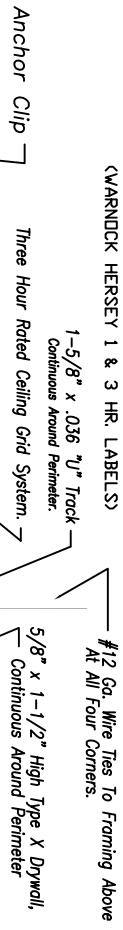
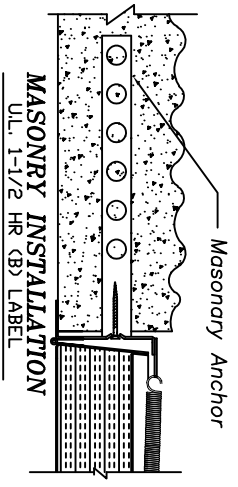
- 16 GA. C.R.S. FRAME
- 20 GA. C.R.S. INSULATED DOOR PANEL
- CARRIES BOTH UL AND CUL 1-1/2 HOUR, CLASS B FIRE RATING
- CARRIES WARNDOCK HERSEY LABEL FOR 1 & 3 HOUR NONCOMBUSTIBLE FLOOR/CEILING SYSTEMS WHEN 8' X 8' < SIZE < 24' X 36'
- WHITE POWDER COATED STEEL
- ROUGH REQ. MASONRY WALL OPENING = WIDTH + 1/2" X HEIGHT + 1/2"
- ROUGH REQ. STUD WALL OPENING = WIDTH + 3/8" X HEIGHT + 3/8"
- WALL APPLICATION ONLY WHEN SIZE > 24' X 36'
- TWO PADDLE LATCHES USED WHEN SIZE > 36' X 36'

- SPECIAL OPTION LIMITATIONS**
- 8' <= WIDTH <= 48'
 - 8' <= LENGTH <= 48'
 - STAINLESS STEEL NOT AVAILABLE WHEN SIZE >= 36' X 36'
 - STAINLESS STEEL NOT AVAILABLE WITH MORTISE LOCK OPTIONS
 - MORTISE LOCK OPTIONS NOT AVAILABLE WHEN SIZE = 8' X 8'

- SPECIAL OPTIONS**
- FINISH:
 - LATCH/LOCK ANCHORS:
 - NOTES:

Three Hour Rated Non-combustible Floor/Ceiling Installation.

(WARNDOCK HERSEY 1 & 3 HR. LABELS)



ORDER WILL NOT BE RELEASED FOR FABRICATION UNTIL SIGNED COPY IS RECEIVED AND APPROVAL OF GENERAL ARRANGEMENT AND SPECIAL DIMENSIONS OF THIS JUDICMENT ARE REQUIRED BEFORE THE ORDER IS ENTERED FOR MANUFACTURING.

APPROVAL SIGNATURE: _____ TITLE HELD: _____ DATE OF APPROVAL: _____

THIS DRAWING IS THE PROPERTY OF MILCOR AND CONTAINS PROPRIETARY INFORMATION. NOT TO BE REPRODUCED OR REDISTRIBUTED WITHOUT MILCOR'S WRITTEN PRIOR CONSENT.

MILCOR
5030 Corporate Exchange Blvd. SE, Grand Rapids, MI 49512
P.H.: 800-624-8642 FAX: 855-549-2674 WWW.milcorinc.com

UNIVERSAL FIRE RATED DOOR FOR DRYWALL WALLS AND CEILINGS
UFR-DW ACCESS DOOR

JOB NAME: _____
REP NAME: _____

STANDARD ACCESS DOOR PART #:
SPECIAL ACCESS DOOR (FILL OUT SPECIAL OPTIONS)

QUANTITY: _____ SELECT STD. OR SPEC.